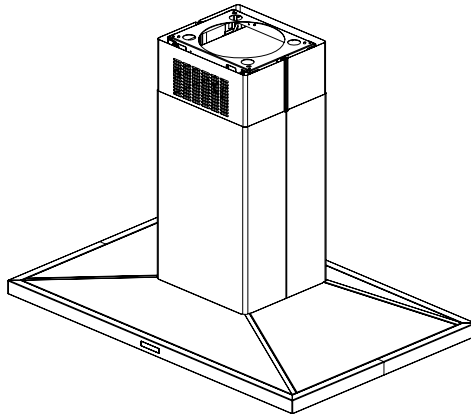


Use, Care, and Installation Guide
Guide d'utilisation, d'entretien et d'installation
Guía de instalación, uso y mantenimiento

READ AND SAVE THESE INSTRUCTIONS
LEA Y GUARDE ESTAS INSTRUCCIONES
LISEZ CES INSTRUCTIONS ET CONSERVEZ-LES



English	Contents	page	2
French	Sommaire	page	22
Spanish	Contenido	página	43

English

Important safety Notice.....	3
Electrical & Installation requirements	4
Electrical requirements	4
Before installing the hood	4
List of Materials.....	5
Parts supplied	5
Parts not supplied	5
Dimensions and Clearances.....	6
Ducting Options and Examples.....	7
Venting methods.....	7
Preparation	7
Installation	8
Installation - Ducting version.....	8
Installation - Ductless (Recirculating) version	12
Description of the hood & Controls.....	16
Controls.....	17
Maintenance	19
Cleaning.....	19
Grease Filter	19
Replacing the light bulb.....	19
Charcoal Filter.....	20
Warranty	21

**APPROVED FOR RESIDENTIAL APPLIANCES
FOR RESIDENTIAL USE ONLY
READ AND SAVE THESE INSTRUCTIONS**

PLEASE READ ENTIRE INSTRUCTIONS BEFORE PROCEEDING.

INSTALLATION MUST COMPLY WITH ALL LOCAL CODES.

IMPORTANT: Save these Instructions for the Local Electrical Inspector's use.

INSTALLER: Please leave these Instructions with this unit for the owner.

OWNER: Please retain these instructions for future reference.

Safety Warning: Turn off power circuit at service panel and lock out panel, before wiring this appliance.

Requirement: 120 V AC, 60 Hz. 15 or 20 A Branch Circuit

READ AND SAVE THESE INSTRUCTIONS

Important safety Notice

CAUTION

FOR GENERAL VENTILATING USE ONLY. DO NOT USE TO EXHAUST HAZARDOUS OR EXPLOSIVE MATERIALS OR VAPOURS.

WARNING

TO REDUCE THE RISK OF FIRE, ELECTRIC SHOCK, OR INJURY TO PERSONS, OBSERVE THE FOLLOWING:

- A. Use this unit only in the manner intended by the manufacturer. If you have questions, contact the manufacturer.
- B. Before servicing or cleaning the unit, switch power off at service panel and lock service panel disconnecting means to prevent power from being switched on accidentally. When the service disconnecting means cannot be locked, securely fasten a prominent warning device, such as a tag, to the service panel.
- C. Installation Work and Electrical Wiring Must Be Done By Qualified Person(s) In Accordance With All Applicable Codes & Standards, Including Fire-rated Construction.
- D. Sufficient air is needed for proper combustion and exhausting of gases through the flue (Chimney) of fuel burning equipment to prevent back-drafting. Follow the heating equipment manufacturers guideline and safety standards such as those published by the National Fire Protection Association (NFPA), the American Society for Heating, Refrigeration and Air Conditioning Engineers (ASHRAE), and the local code authorities.
- E. When cutting or drilling into wall or ceiling, do not damage electrical wiring and other hidden utilities.
- F. Ducted systems must always be vented to the outdoors.

CAUTION

To reduce risk of fire and to properly exhaust air, be sure to duct air outside - do not vent exhaust air into spaces within walls, ceilings, attics, crawl spaces, or garages.

WARNING

TO REDUCE THE RISK OF FIRE, USE ONLY METAL DUCT WORK.

Install this hood in accordance with all requirements specified.

WARNING

To Reduce The Risk Of Fire Or Electric Shock, Do Not Use This Hood With Any External Solid State Speed Control Device.

WARNING

TO REDUCE THE RISK OF A RANGE TOP GREASE FIRE.

- a) Never leave surface units unattended at high settings. Boilovers cause smoking and greasy spillovers that may ignite. Heat oils slowly on low or medium settings.
- b) Always turn hood ON when cooking at high heat or when flambeing food (I.e. Crepes Suzette, Cherries Jubilee, Peppercorn Beef Flambe').
- c) Clean ventilating fans frequently. Grease should not be allowed to accumulate on fan or filter.
- d) Use proper pan size. Always use cookware appropriate for the size of the surface element.

WARNING

TO REDUCE THE RISK OF INJURY TO PERSONS, IN THE EVENT OF A RANGE TOP GREASE FIRE,

OBSERVE THE FOLLOWING:

- a) SMOTHER FLAMES with a close-fitting lid, cookie sheet, or other metal tray, then turn off the gas burner or the electric element. BE CAREFUL TO PREVENT BURNS. If the flames do not go out immediately, EVACUATE AND CALL THE FIRE DEPARTMENT.
- b) NEVER PICK UP A FLAMING PAN - you may be burned.
- c) DO NOT USE WATER, including wet dishcloths or towels - a violent steam explosion will result.
- d) Use an extinguisher **ONLY** if:
 - 1) You know you have a class ABC extinguisher, and you already know how to operate it.
 - 2) The fire is small and contained in the area where it started.
 - 3) The fire department is being called.
 - 4) You can fight the fire with your back to an exit.

OPERATION

a. Always leave safety grills and filters in place. Without these components, operating blowers could catch onto hair, fingers and loose clothing.

The manufacturer declines all responsibility in the event of failure to observe the instructions given here for installation, maintenance and suitable use of the product. The manufacturer further declines all responsibility for injury due to negligence and the warranty of the unit automatically expires due to improper maintenance.

Electrical & Installation requirements

Electrical requirements

IMPORTANT

Observe all governing codes and ordinances.

It is the customer's responsibility:

To contact a qualified electrical installer.

To assure that the electrical installation is adequate and in conformance with National Electrical Code, ANSI/NFPA 70 — latest edition*, or CSA Standards C22.1-94, Canadian Electrical Code, Part 1 and C22.2 No.0-M91 - latest edition** and all local codes and ordinances.

If codes permit and a separate ground wire is used, it is recommended that a qualified electrician determine that the ground path is adequate.

Do not ground to a gas pipe.

Check with a qualified electrician if you are not sure range hood is properly grounded.

Do not have a fuse in the neutral or ground circuit.

IMPORTANT

Save Installation Instructions for electrical inspector's use.

The range hood must be connected with copper wire only.

The range hood should be connected directly to the fused disconnect (Or circuit breaker) box through metal electrical conduit.

Wire sizes must conform to the requirements of the National Electrical Code ANSI/NFPA 70 — latest edition*, or CSA Standards C22.1-94, Canadian Electrical Code Part 1 and C22.2 No. 0-M91 - latest edition** and all local codes and ordinances.

A U.L.- or C.S.A.-listed conduit connector must be provided at each end of the power supply conduit (at the range hood and at the junction box).

Copies of the standards listed may be obtained from:

* National Fire Protection Association Batterymarch Park Quincy, Massachusetts 02269

** CSA International 8501 East Pleasant Valley Road Cleveland, Ohio 44131-5575

Before installing the hood

1. For the most efficient air flow exhaust, use a straight run or as few elbows as possible.

CAUTION: Vent unit to outside of building, only.

2. At least two people are necessary for installation.
3. Fittings material is provided to secure the hood to most types of walls/ceilings, consult a Qualified Installer, check if they perfectly fit with your cabinet/wall.
4. Do not use flex ducting.
5. COLD WEATHER installations should have an additional backdraft damper installed to minimize backward cold air flow and a nonmetallic thermal break to minimize conduction of outside temperatures as part of the ductwork. The damper should be on the cold air side of the thermal break. The break should be as close as possible to where the ducting enters the heated portion of the house.
6. Make up air: Local building codes may require the use of Make-Up Air Systems when using Ducted Ventilation Systems greater than specified CFM of air movement. The specified CFM varies from locale to locale. Consult your HVAC professional for specific requirements in your area.

List of Materials

Parts supplied

Removing the packaging

CAUTION!

Remove carton carefully, Wear gloves to protect against sharp edges.

WARNING!

Remove the protective film covering the product before putting into operation.

- Hood structure assembly with blower, transition.
- 4 Lamps already installed.
- 3 Grease filter
- 4 Duct covers.
- Hardware bag with:
 - Ceiling Mount Template
 - Use, care and installation guide
 - Wood screws (4 pieces - 3/16" x 1" 3/4)
 - Assembly screws (71 pieces)
 - Duct cover brackets (4 each)
- 8 Vertical supports.
- 2 Upper Ductcover supports.
- 2 Horizontal supports.
- 2 Torx Adapters.

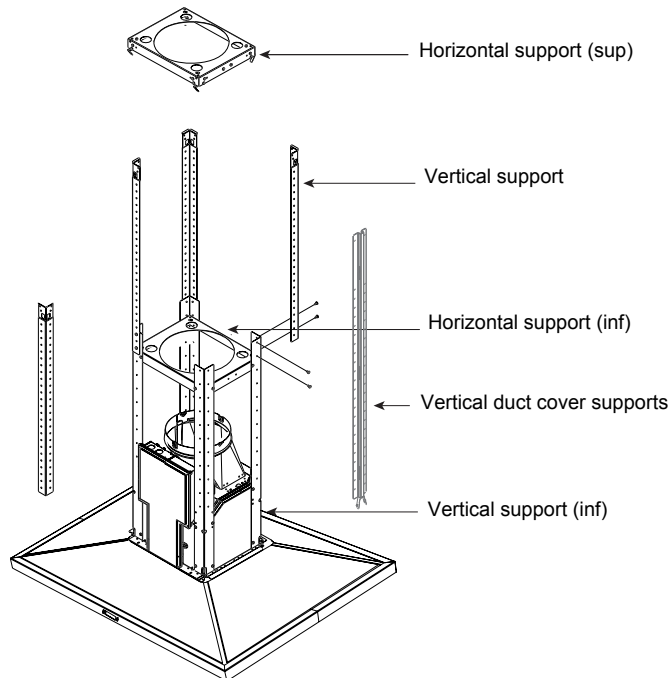
Parts not supplied

Optional Accessories

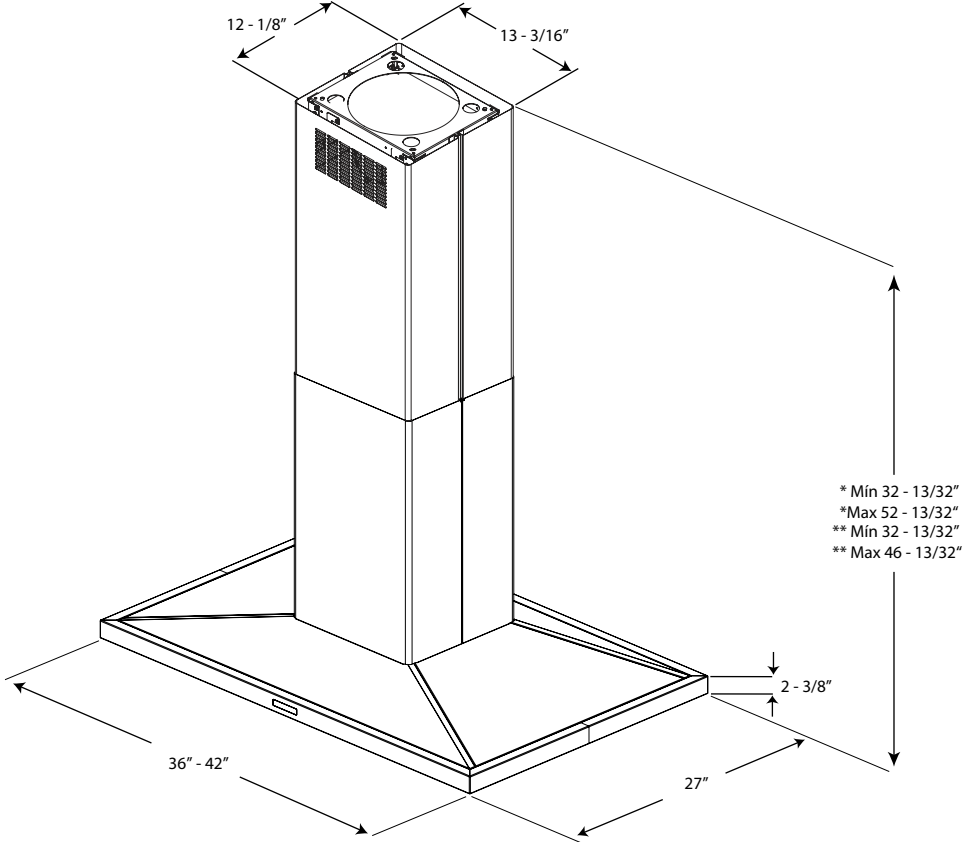
- Ductless Recirculating Kit
To be used only in the Ductless (Recirculating) version includes: charcoal filter, charcoal filter support and fixing bracket, deflector

Tools/Materials required

- Wire nuts
- Tape to mount template
- 8" rounded metal duct length to suit installation
- Measuring tape
- Pliers
- Gloves
- Knife
- Safety glasses
- Electric drill with 5/16" and 3/8" Bits
- Strain relief
- Spirit level
- Duct tape
- Screwdrivers:
 - Phillips (Posidrive) # 2
 - Wire cutter/stripper
- Masking tape
- Hammer
- Saw, jig saw or reciprocating saw



Dimensions and Clearances



- Ductless (Recirculating) version ONLY

Ducting Options and Examples

Closely follow the instructions set out in this manual.

All responsibility, for any eventual inconveniences, damages or fires caused by not complying with the instructions in this manual, is declined.

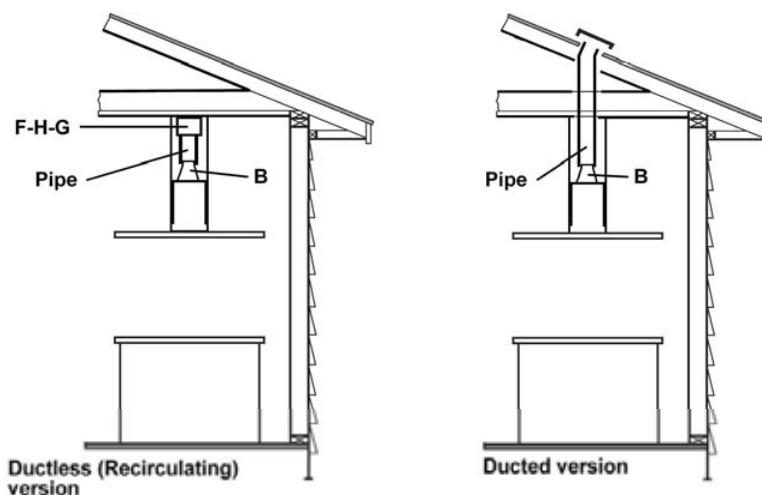
Venting methods

The hood is equipped with a transition **B** for discharge of fumes to the outside (**Ducting version**).

Should it not be possible to discharge cooking fumes and vapour to the outside, the hood can be used in the **Ductless (Recirculating) version**. Attach a charcoal filter and the deflector **F** on the duct cover support bracket **G**. Fumes and vapours are recycled through the top grille **H** by means of a duct connected to the transition **B** and the transition mounted on the deflector **F**.

NOTE: For ductless (Recirculating) version only: purchase the Ductless Recirculating Kit.

Minimum Duct Size (Ducting/Ductless version): 8" Round Pipe.



Preparation

Do not cut a joist or stud unless absolutely necessary. If a joist or stud must be cut, then a supporting frame must be constructed.

Fittings material is provided to secure the hood to most types of walls/ceilings.

However, a qualified technician must verify suitability of the materials in accordance with the type of wall/ceiling.

Before making cutouts, make sure there is proper clearance within the ceiling or wall for exhaust vent.

Hood installation height above cooktop is the users preference. The lower the hood is above the cooktop, the more efficient the capturing of cooking odors, grease and smoke.

CAUTION:

FOR 8' CEILINGS: MOUNT THIS HOOD SO THAT THE BOTTOM EDGE IS AT 27" (68,6 CM) MINIMUM ABOVE THE COOKING SURFACE.

FOR 9' CEILINGS: MOUNT THIS HOOD SO THAT THE BOTTOM EDGE IS AT 30" (76,2 CM) MINIMUM ABOVE THE COOKING SURFACE.

Check your ceiling height and the hood height maximum before you select your hood.

Installation

Installation - Ducting version

1. Pre-installation calculations

K = Kitchen Height

C = Counter Height (36" standard)

P = Preferred Height of Hood
Bottom above counter

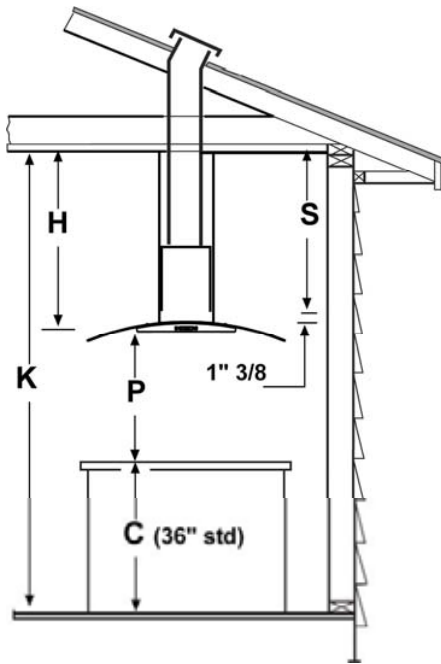
H = Hood height your installation

$H = K - C - P$

S = Chimney Structure Height, your installation.

$S = H - 1" \frac{3}{8}$.

- Select a hood preference height P that is comfortable for the user.
- Calculate Hood height your installation $H = K - C - P$.
- Confirm that H is within the range of min to max H found for your model (See "Dimensions and clearances" paragraph). If not adjust your installation.
- Calculate Chimney structure height S. Save this calculation for use later in the installation.

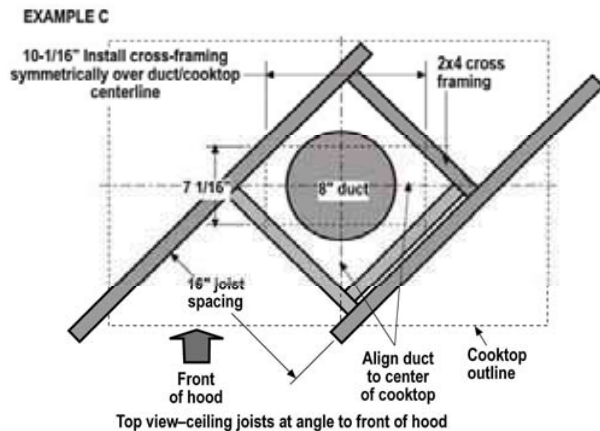
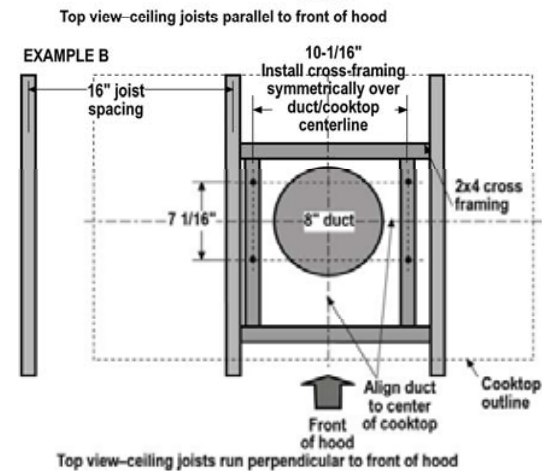
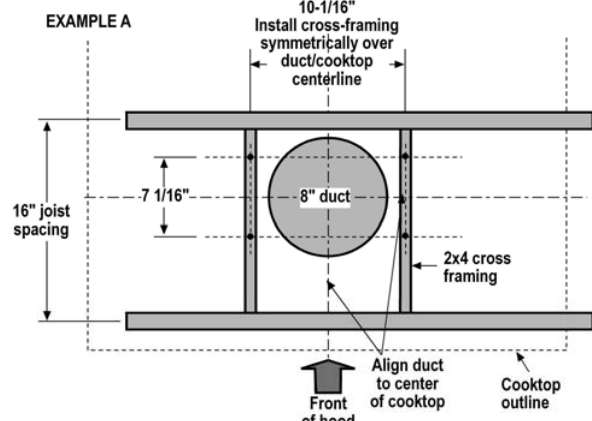
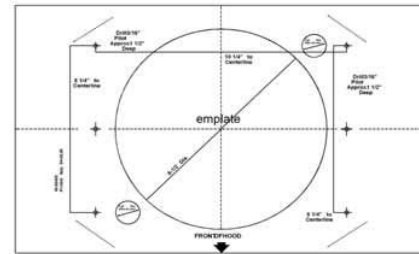


Ceiling Support Structures

- This vent hood is heavy.
- Adequate structure and support must be provided in all types of installations.
- At the hood location, install 2"x 4" cross framing between ceiling joists as shown. (2"x 4" are required to support the weight of the hood.)
- Arrange cross framing in the ceiling to suit the existing structure.
- Your ceiling joists will be like one of the following examples.

IMPORTANT

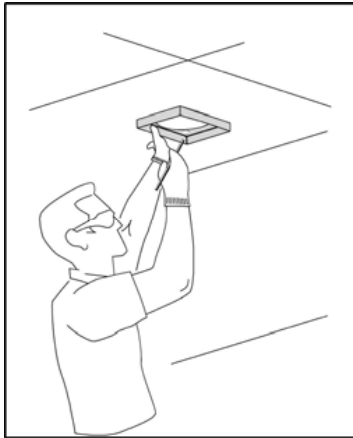
Framing must be capable of supporting 150lbs.



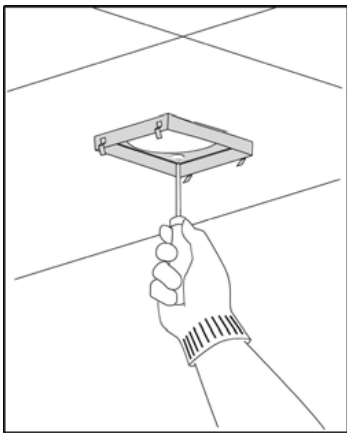
- Place the template in the ceiling considering the instructions for ceiling support structures. Always consider the front of hood legend when playing the template on the ceiling. It will define the control's location.



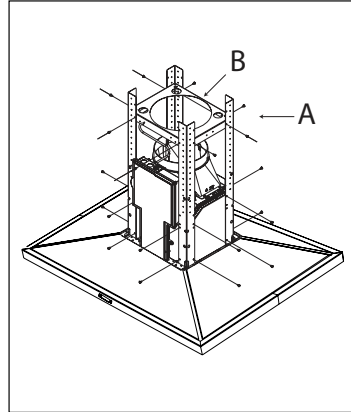
- Mark with a pencil the hole locations for screws and duct in the ceiling.



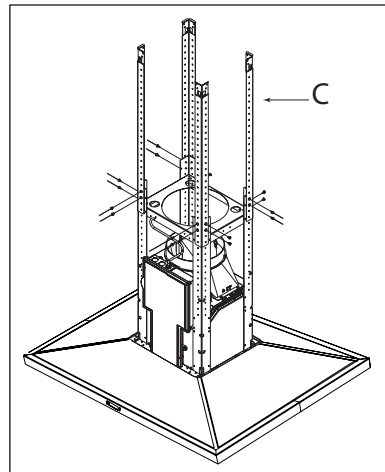
- Fix the upper horizontal support with 4 wood screws.



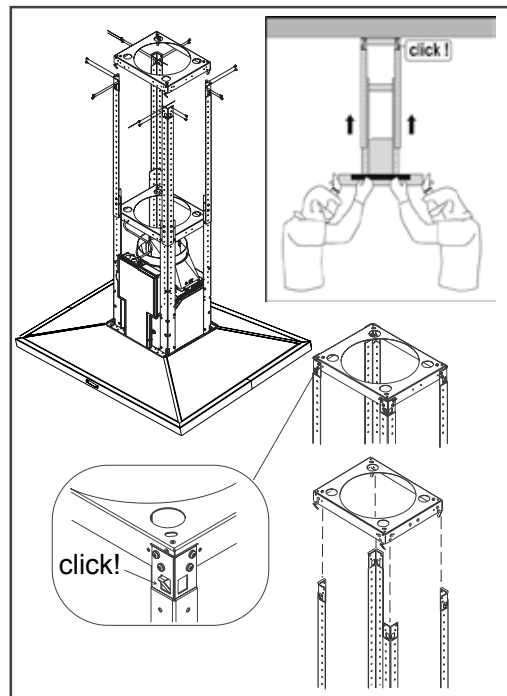
- Attach the 4 lower vertical supports (A) to the hood with 16 screws. Then attach the lower horizontal support (B) with 8 screws (inf).



- Attach the 4 upper vertical supports (sup) (c) with 16 screws to adjust the desired distance.

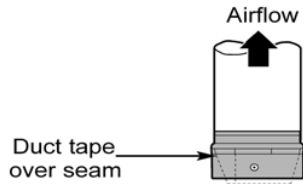


- Attach the assembly to the support fixed on the ceiling. Assure with screws (16).

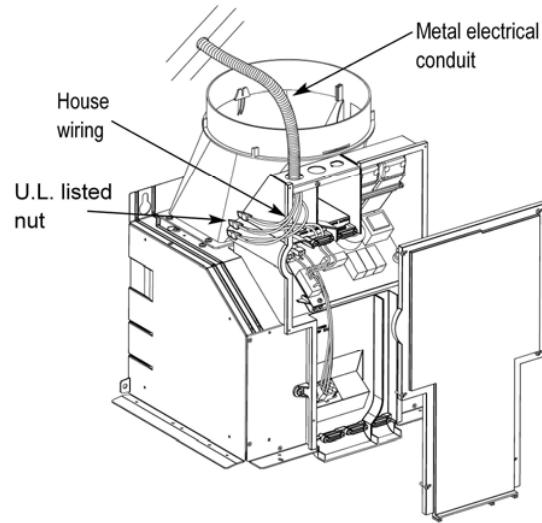


Connecting the ductwork

- Install ductwork, making connections in the direction of airflow as illustrated.
- Push duct over the exhaust outlet.
- Wrap all duct joints and the flange connections with duct tape for an airtight seal.
- Make the same connection in the wall or ceiling vent exit.



- If not already done, install 1/2" conduit connector in jbox.



Electrical connection

WARNING

Electrical Shock Hazard

Warning: Turn off power circuit at the service panel before wiring this unit.

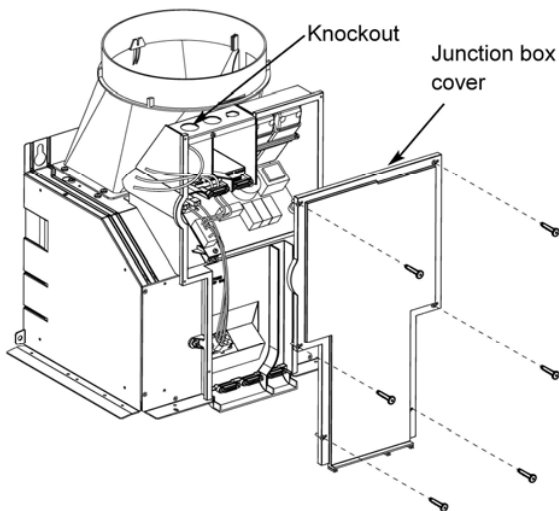
120 VAC, 15 or 20 Amp circuit required.

ELECTRICAL GROUNDING INSTRUCTIONS

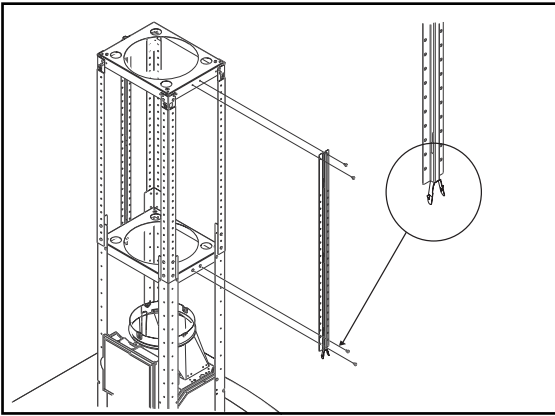
THIS APPLIANCE IS FITTED WITH AN ELECTRICAL JUNCTION BOX WITH 3 WIRES, ONE OF WHICH (GREEN/YELLOW) SERVES TO GROUND THE APPLIANCE. TO PROTECT YOU AGAINST ELECTRIC SHOCK, THE GREEN AND YELLOW WIRE MUST BE CONNECTED TO THE GROUNDING WIRE IN YOUR HOME ELECTRICAL SYSTEM, AND IT MUST UNDER NO CIRCUMSTANCES BE CUT OR REMOVED.

Failure to do so can result in death or electrical shock.

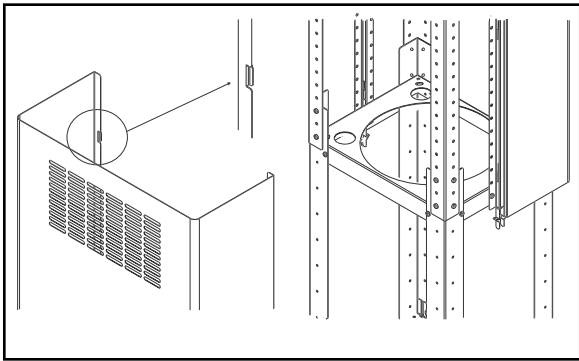
Facing the front of the range hood, remove the left knockout and the Junction box cover and install the conduit connector (cULus listed) in junction box.



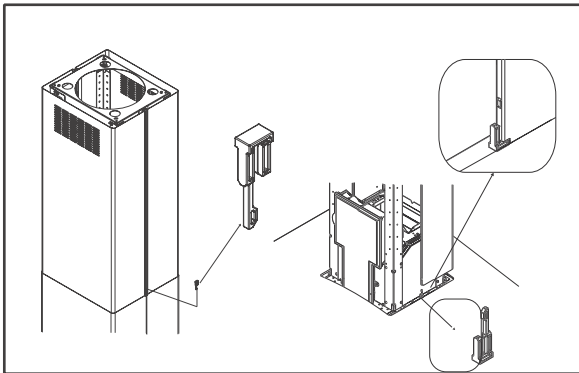
- Attach the vertical duct cover supports using 4 screws.



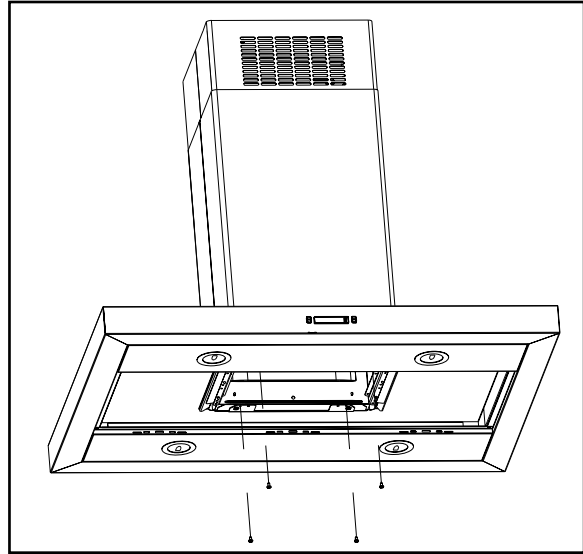
- Place upper duct covers sliding through until spring sounds "click". Then verify.



- Place lower duct covers using one plastic bracket at each vertex (4 needed).



- The lower duct cover shall be secured to rangehood by 4 screws.



Install the grease filter and turn power on at service panel. Check operation of the hood.

If range hood does not operate:

- Check that the circuit breaker is not tripped or the house fuse blown.
- Disconnect power supply. Check that wiring is correct.

To get the most efficient use from your new range hood, read the "Use and Care Information" section.

Keep your Installation Instructions and Use and Care Guide close to range hood for easy reference.

Installation - Ductless (Recirculating) version

IMPORTANT

Recirculating kit sold separately.
To purchase it, please dial the following toll free number
1-888-732-8018 and request the KIT02198 for island hoods.

1. Pre-installation calculations

K = Kitchen Height

C = Counter Height (36" standard)

P = Preferred Height of Hood

Bottom above counter

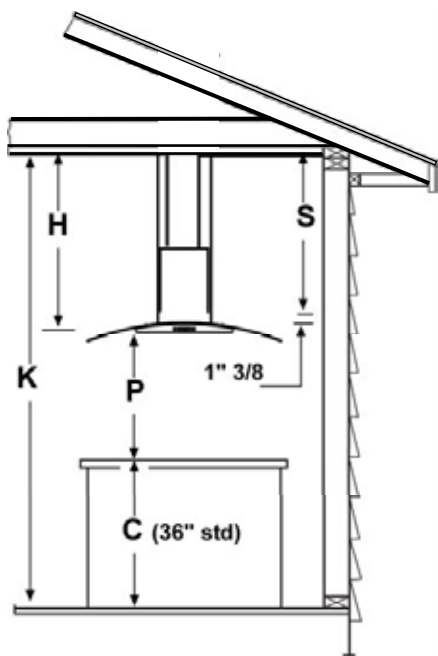
H = Hood height your installation

$H = K - C - P$

S = Chimney Structure Height, your installation.

$S = H - 1\frac{3}{8}$.

- Select a hood preference height P that is comfortable for the user.
- Calculate Hood height your installation $H = K - C - P$.
- Confirm that H is within the range of min to max H found for your model (See "Dimensions and clearances" paragraph). If not adjust your installation.
- Calculate Chimney structure height S. Save this calculation for use later in the installation.

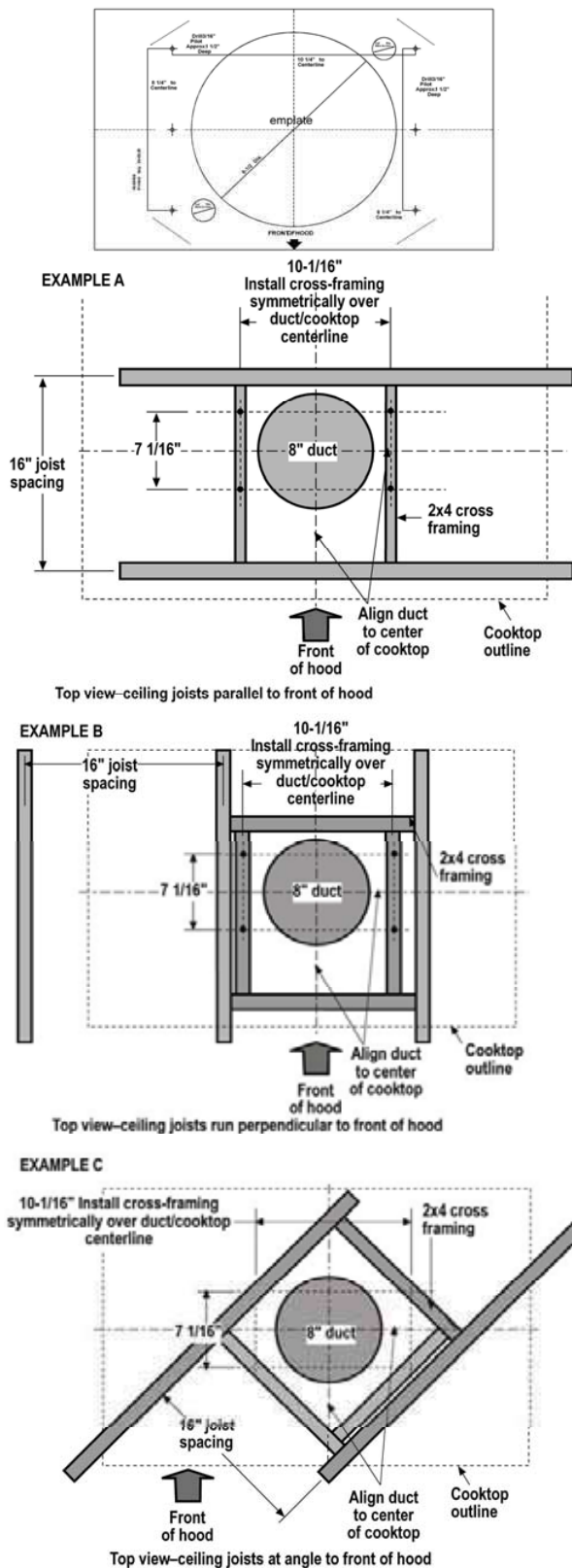


Ceiling Support Structures

- This vent hood is heavy.
- Adequate structure and support must be provided in all types of installations.
- At the hood location, install 2"x 4" cross framing between ceiling joists as shown. (2"x 4" are required to support the weight of the hood.)
- Arrange cross framing in the ceiling to suit the existing structure.
- Your ceiling joists will be like one of the following examples.

IMPORTANT

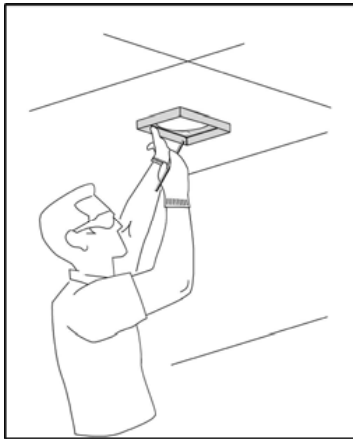
Framing must be capable IMPORTANT of supporting 150lbs.



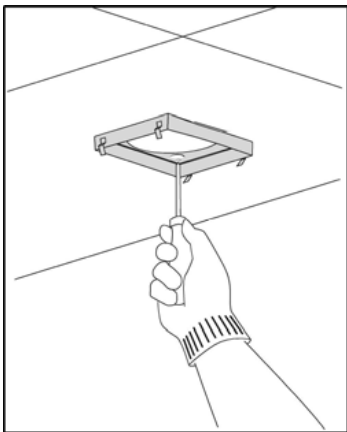
- Place the template in the ceiling considering the instructions for ceiling support structures. Always consider the front of hood legend when playing the template on the ceiling. It will define the control's location.



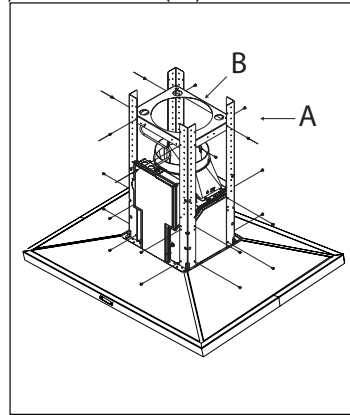
- Mark with a pencil the hole locations for screws and duct in the ceiling.



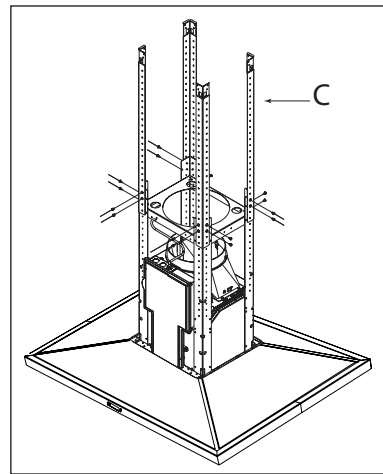
- Fix the upper horizontal support with 4 wood screws.



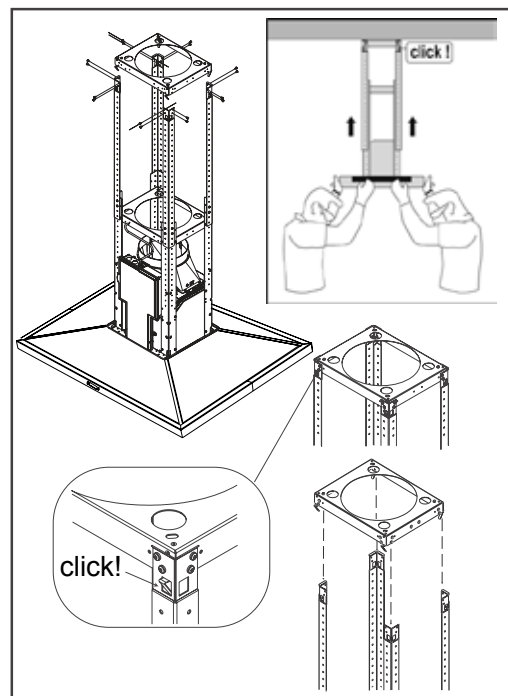
- Attach the 4 lower vertical supports (A) to the hood with 16 screws. Then attach the lower horizontal support (B) with 8 screws.



- Attach the 4 upper vertical supports (sup) (c) with 16 screws to adjust the desired distance.

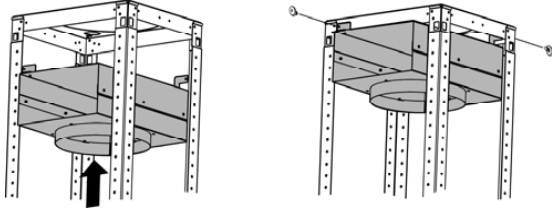


- Attach the assembly to the support fixed on the ceiling. Assure with screws (16).

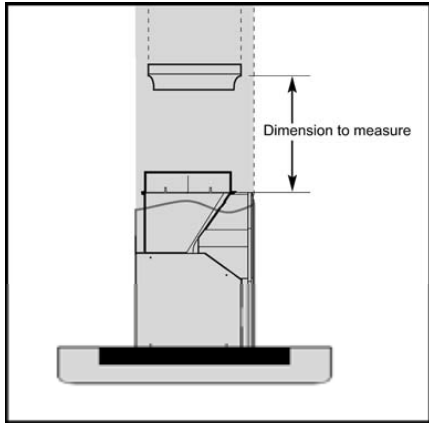


Air deflector installation

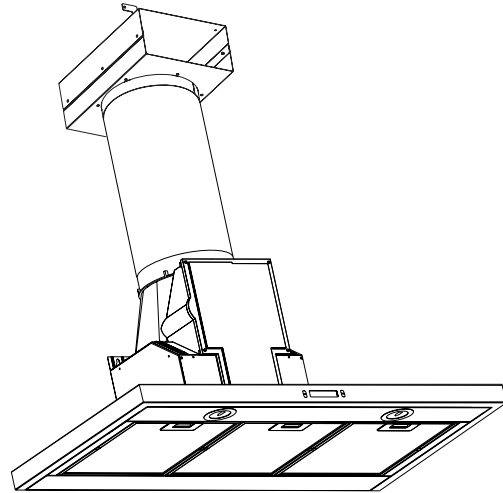
- Assemble the air deflector with the upper horizontal support with 2 assembly screws.



- Measure from the bottom of the air deflector to the bottom of the hood outlet, as shown.



- Cut the duct at the measured size.
- Slip the duct onto the bottom of the deflector.
- Place the duct over the exhaust outlet from the hood.
- Use duct tape to seal the deflector and at the exhaust outlet from the hood.



Electrical connection

WARNING

Electrical Shock Hazard

Warning: Turn off power circuit at the service panel before wiring this unit.

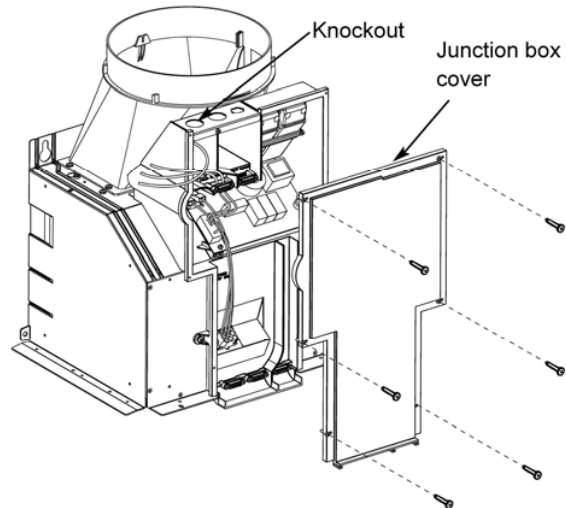
120 VAC, 15 or 20 Amp circuit required.

ELECTRICAL GROUNDING INSTRUCTIONS

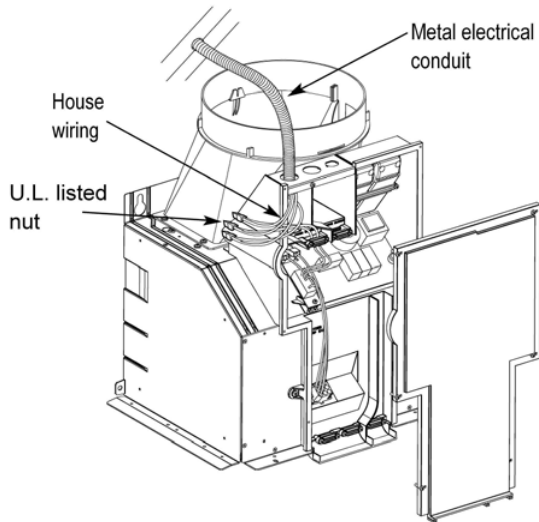
THIS APPLIANCE IS FITTED WITH AN ELECTRICAL JUNCTION BOX WITH 3 WIRES, ONE OF WHICH (GREEN/YELLOW) SERVES TO GROUND THE APPLIANCE. TO PROTECT YOU AGAINST ELECTRIC SHOCK, THE GREEN AND YELLOW WIRE MUST BE CONNECTED TO THE GROUNDING WIRE IN YOUR HOME ELECTRICAL SYSTEM, AND IT MUST UNDER NO CIRCUMSTANCES BE CUT OR REMOVED.

Failure to do so can result in death or electrical shock.

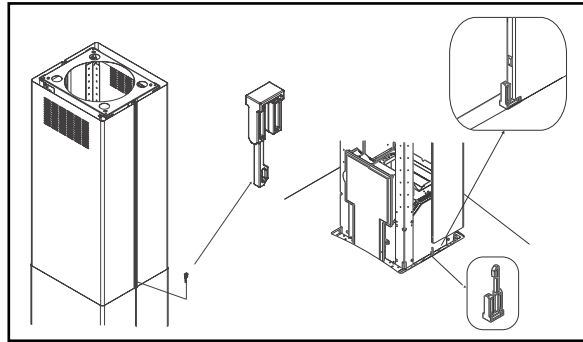
Facing the front of the range hood, remove the left knockout and the Junction box cover and install the conduit connector (cULus listed) in junction box.



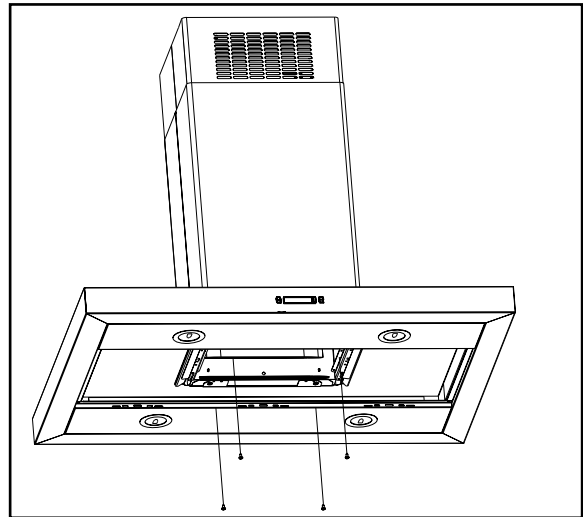
- If not already done, install 1/2" conduit connector in jbox.



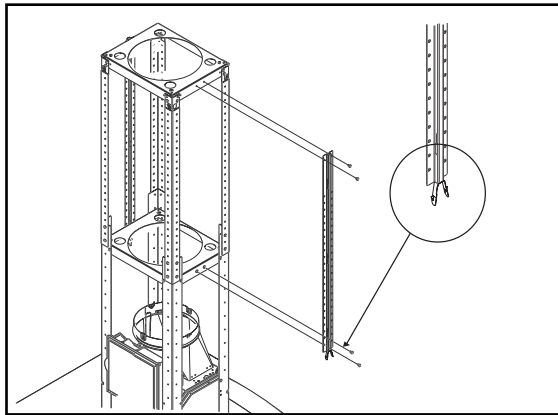
- Place lower duct covers using one plastic bracket at each vertex (4 needed).



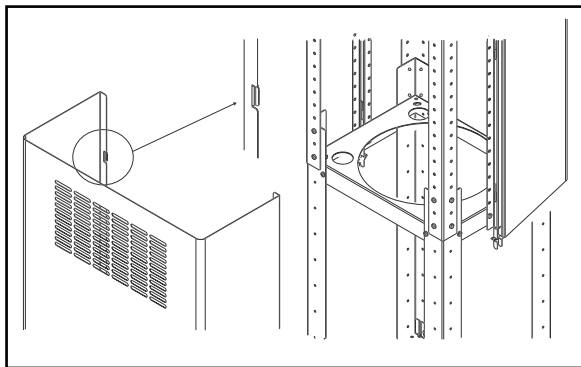
- The lower duct cover shall be secured to rangehood by 4 screws.



- Attach the vertical duct cover supports using 4 screws.



- Place upper duct covers sliding through until spring sounds "click". Then verify.



Install the grease filter and turn power on at service panel. Check operation of the hood.

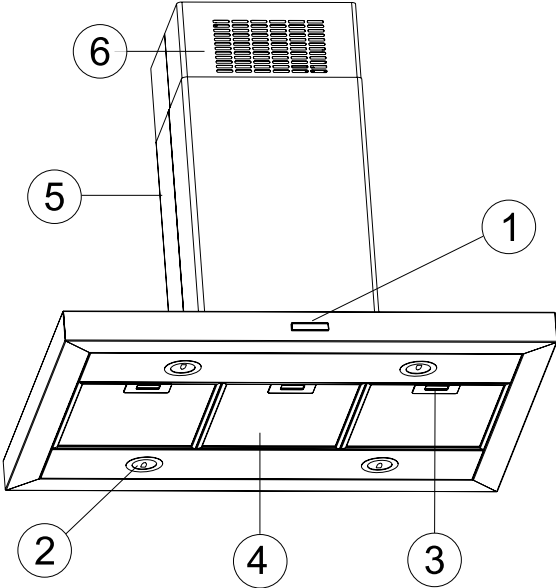
If range hood does not operate:

- Check that the circuit breaker is not tripped or the house fuse blown.
- Disconnect power supply. Check that wiring is correct.

To get the most efficient use from your new range hood, read the "Use and Care Information" section.

Keep your Installation Instructions and Use and Care Guide close to range hood for easy reference.

Description of the hood & Controls



- 1. Blower and light controls
- 2. Lamp housings
- 3. Grease filter Handle
- 4. Grease filter
- 5. Duct covers
- 6. Louver holes (Only for Recirculating version)

Controls

Use the high suction speed in cases of concentrated kitchen vapours. It is recommended that the cooker hood suction is switched on for 5 minutes prior to cooking and to leave in operation during cooking and for another 15 minutes approximately after terminating cooking.

Note: Hood retains last speed setting when aspiration switch is turned off.

Description of control panel



1. Light Button

- Press lamp button to turn ON the light on High Intensity (Lamp state previously OFF).
- Press lamp button to turn ON the light on Low Intensity (Lamp state previously ON).
- Press lamp button to turn OFF the light (Lamp state previously ON).

2. Timer Button

- The default timer setting is 10 minutes, and it can be adjusted between 60 minutes and 1 minute.
- After pressing the timer button, the control enters to a timer setup mode, and user can adjust the timer countdown time with the “+” and “-” buttons within 5 seconds. The timer can be initiated immediately pressing the timer button, after setting the timer duration or pressing the timer button twice (default 10 minutes setting).
- If no action occurs within 5 seconds, the countdown will start.
- During the timer setup the “+” and “-” buttons are dedicated to the timer and no motor action will occur.
- Once the timer is initiated, it can be cancelled by pressing the timer button again.

3. Display

- Shows the hood settings.
- The display will be lit at low intensity when the hood is not operating.
Pressing any key the display will light up at high intensity.
- The display will be lit at high intensity when the hood is operating.
If no key is pressed within a minute the display will return to being lit at low intensity.

4. “-” Button. Speed Decrease / OFF

- This button is used to decrease the fan speed, or turn OFF the fan.
- The fan will turn OFF if the “-” button is pressed and the hood was in the first speed.
- If the fan is at second speed and the “-” button is pressed, the fan will be set to first speed.
- If the fan is at third speed and the “-” key is pressed, the fan will be set to second speed.
- If the fan is at fourth speed and the “-” button is pressed, the fan will be set to third speed.
- If the fan is OFF and the “-” button is pressed, the control backlight will light up.

5. “+” Button. Speed Increase / ON

- This button is used to increase the fan speed, or turn ON the fan.
- The fan will turn ON if the “+” button is pressed and the hood was OFF.
- If the fan is at first speed and the “+” button is pressed, the fan will be set to second speed.
- If the fan is at second speed and the “+” button is pressed, the fan will be set to third speed.
- If the fan is at third speed and the “+” button is pressed, the fan will be set to fourth speed.
- If the fan is at fourth speed and the “+” button is pressed, a beep will sound.

Clock programming

- The clock can be reprogrammed at any time except during an active timed function.
- The clock can be displayed in a twelve hour form at and valid clock times are from 1:00 to 12:59.
- The clock can be reprogrammed pressing the “Timer” button for 3 seconds, and after, the clock can be adjusted with the “+” and “-” buttons.
- The user can have minute increments / decrements of 1 minute, but if the user keep pressing the “+” / “-” buttons for more than 1 second, the increments / decrements will be of 5 minutes.
During this option the control will round to the nearest 5 minutes.
- The user can finish on reprogramming the clock pressing the “Timer” button.
- After 1 minute of no button pressed the control will accept the programmed clock time and will add one minute to the set clock.

Grease filter saturation alarm (Optional)

- After thirty fan functional hours, the display will show “Grease Filter ” if the fan is active.
When this icon is shown in the display, the grease filters installed are required to be washed.
- To reset the grease filter saturation alarm the user must press the “+” button for 5 seconds, after this action the icon “Grease filter ” is not displayed, and the hood has the normal display operation.

Charcoal filter saturation alarm (Optional)

- After one hundred and twenty functional hours of the fan, the display will show “ Charcoal Filter ” if the fan is active.
When this icon flashes on display, the charcoal filters installed are required to be replaced or reactivated.
- To reset the charcoal filter saturation indication the user must press the “-” button for 5 seconds, after this time the icon “ Charcoal filter ” is not displayed and the hood has the normal display operation.

Audible signal activation and deactivation

- The audible signals can be activated or deactivated pressing the “ Light ” button for 5 seconds.
- If the audible signal is activated, a tone must sound and the “Snd ” symbol must appear on the display for 3 seconds.
- If the audible signal is deactivated, the “ Snd ” symbol must appear on the display for 3 seconds and no tone must sound.

Charcoal filter inclusion and exclusion (Recirculating accessories)

- The charcoal filter inclusion or exclusion can be set by pressing the “+” and “-” buttons at the same time for 5 seconds.
- The Inclusion or exclusion of charcoal filter must be selected while the lamps and the motor are OFF.
- When the charcoal filter has been excluded, the charcoal filter alarm is disabled.

Heat sensor

- The control is equipped with a heat sensor that will turn on the blower at third speed if excessive heat occurs (over 149° F or 65°C) surrounding the control area.
- If the blower is OFF or if it is operating at first speed, the blower will be set automatically to third speed, the display shows the word “ CArE “ to indicate that heat sensor has detected an excessive heat.
- During this state, the user may raise the blower speed to fourth speed but can not decrease the speed.
- When the temperature level on the hood drops to normal, the blower will operate in the setting defined by the user before the alarm occurred.

Maintenance

ATTENTION! Before performing any maintenance operation, isolate the hood from the electrical supply by switching off at the connector and removing the connector fuse.

Or if the appliance has been connected through a plug and socket, then the plug must be removed from the socket.

Cleaning

Do not spray cleaners directly to the control while cleaning the Hood. The cooker hood should be cleaned regularly (at least with the same frequency with which you carry out maintenance of the fat filters) internally and externally. Clean using the cloth dampened with neutral liquid detergent. Do not use abrasive products. DO NOT

USE ALCOHOL!

WARNING:

Failure to carry out the basic cleaning recommendations of the cooker hood and replacement of the filters may cause fire risks.

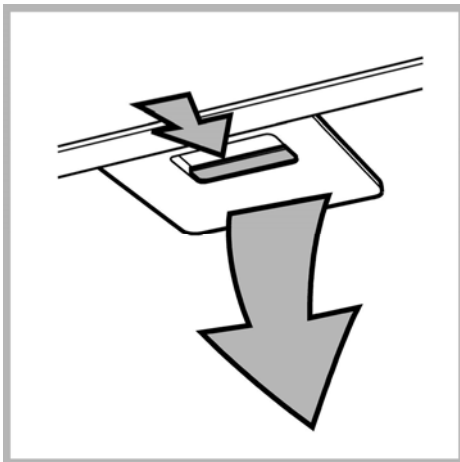
Therefore, we recommend observing these instructions. The manufacturer declines all responsibility for any damage to the motor or any fire damage linked to inappropriate maintenance or failure to observe the above safety recommendations.

Grease Filter

Traps cooking grease particles.

This must be cleaned once a month using non aggressive detergents, either by hand or in the dishwasher, which must be set to a low temperature and a short cycle. When washed in a dishwasher, the grease filter may discolour slightly, but this does not affect its filtering capacity.

To remove the grease filter, pull the spring release handle.

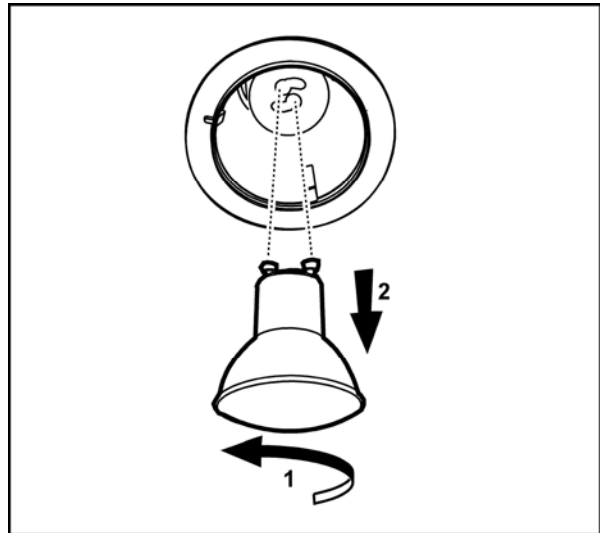


Replacing the light bulb

CAUTION

Before replacing the lamps, switch power off at service panel and lock service panel disconnecting means to prevent power from being switched on accidentally.

NOTE: Turn off the lights and fan. Allow the lights to cool before handling. If new lights do not operate be sure lights are inserted correctly before calling service.



Replace Lights

- Remove the damaged light (twist counter clockwise) and replace with a new 120 Volt, 50 Watt (maximum) 50° halogen light made for aGU10 base, suitable use in open luminarie.

Charcoal Filter

If the model is not vented to the outside, the air will be recirculated through disposable charcoal filters that help remove smoke and odors.

The charcoal filters are clipped on the motor housing frame.

NOTE: Charcoal filters are not included with the hood.

They must be ordered from your supplier.

Order the needed kit specifying your hood model and width size.

Cleaning/replacing the charcoal filter

Unlike other charcoal filters, the LONGLIFE charcoal filter can be cleaned and reactivated.

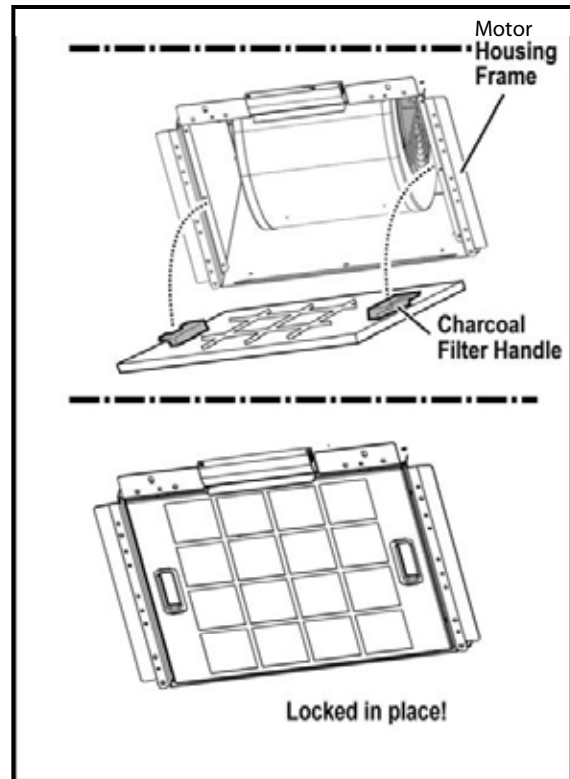
With normal use the filter should be cleaned every second month (when using the hood 2.5 hours per day, on average).

The best way to clean the filter is in the dishwasher. Use normal detergent and choose the highest temperature (65° C or 149° F).

Wash the filter separately so that no food parts gets stuck on the filter and later causes bad odours.

To reactivate the charcoal, the filter should be dried in an oven for 10 minutes with a maximum temperature of 100° C or 212° F.

After approximately one year of use, the charcoal filter should be replaced with a new one, as the odour reduction capacity will be reduced.



Warranty

ELICA North America

TWO-YEARS LIMITED WARRANTY

TO OBTAIN SERVICE UNDER WARRANTY

Owner must present proof of original purchase date. Please keep a copy of your dated proof of purchase (sales slip) in order to obtain service under warranty.

PARTS AND SERVICE WARRANTY

For the period of one (1) year from the date of the original purchase, Elica will provide free of charge, non consumable parts or components that failed due to manufacturing defects. During this one (1) year limited warranty, Elica will also provide free of charge, all labor and in-home service to replace any defective parts.

WHAT IS NOT COVERED

- Damage or failure to the product caused by accident or act of God, such as, flood, fire or earthquake.
- Damage or failure cause by modification of the product or use of non-genuine parts.
- Damage or failure to the product caused during delivery, handling or installation.
- Damage or failure to the product caused by operator abuse.
- Damage or failure to the product caused by dwelling fuse replacement or resetting of circuit breakers.
- Damage or failure caused by use of product in a commercial application.
- Service trips to dwelling to provide use or installation guidance.
- Lights bulbs, metal or carbon filters and any other consumible part.
- Normal wear of finish.
- Wear to finish due to operator abuse, improper maintenance, use of corrosive or abra sive cleaning products/pads and oven cleaner products.

WHO IS COVERED

This warranty is extended to the original purchaser for products purchased for ordinary residential use in North America (Including the United States, Guam, Puerto Rico, US Virgin Islands & Canada).

This warranty is non-transferable and applies only to the original purchaser and does not extend to subsequent owners of the product. This warranty is made expressly in lieu of all other warranties, expressed or implied, including, but not limited to any implied warranty of merchantability or fitness for a particular purpose and all other obligations on the part of Elica North America, provided, however, that if the disclaimer of implied warranties is ineffective under applicable law, the duration of any implied warranty arising by operation of law shall be limited to one (1) year from the date of original purchase at retail or such longer period as may be required by applicable law.

The warranty does not cover any special, incidental and/or consequential damages, nor loss of profits, suffered by the original purchaser, its costumers and/or the users of the Products.

WHO TO CONTACT

To obtain Service under Warranty or for any Service Related Question

Please Call:

- Elica North America Authorized Service at (888) 732-8018

Or by Writing To:

- Elica North America, Attention Customer Service, 222 Merchandise Mart Plaza Suite 947, Chicago, IL 60654 USA
infoamericas@elica.com

French

Sommaire

Avis de sécurité important	23
Exigences électriques et exigences d'installation	24
Exigences électriques	24
Avant d'installer la hotte.....	24
Liste des pièces	25
Pièces fournies	25
Pièces non fournies	25
Dimensions et Dégagement	26
Exemples et possibilités de positionnement des conduits	27
Méthodes de ventilation	27
Préparation	27
Installation	28
Installation - Version à conduit.....	28
Installation - Version sans conduit (Recyclage).....	32
Description de la hotte et des commandes	36
Commandes.....	37
Entretien	39
Nettoyage.....	39
Filtre à graisse	39
Remplacement des ampoules	39
Filtres à charbon	40
Garantie	41

**APPROUVÉ POUR LES APPAREILS DE TYPE RÉSIDENTIEL
POUR UNE UTILISATION RÉSIDENTIELLE SEULEMENT
LISEZ CES INSTRUCTIONS ET CONSERVEZ-LES**

VEUILLEZ LIRE CES INSTRUCTIONS AU COMPLET AVANT DE COMMENCER.

L'INSTALLATION DE L'APPAREIL DOIT RESPECTER TOUS LES CODES EN VIGUEUR.

IMPORTANT : Conservez ces instructions afin de pouvoir les remettre à l'inspecteur-électricien de votre région.

INSTALLATEUR : Veuillez laisser ces instructions avec l'appareil pour le propriétaire.

PROPRIÉTAIRE : Veuillez conserver ces instructions pour pouvoir vous y référer plus tard.

Avertissement de sécurité : Coupez l'alimentation du circuit dans le panneau électrique et verrouillez le

panneau avant de raccorder les fils de cet appareil.

Exigence : 120 V c.a., 60 Hz circuit de dérivation de 15 V c.a., 20 Hz, de 15 ou 20 A.

LISEZ CES INSTRUCTIONS ET CONSERVEZ-LES

Avis de sécurité important

ATTENTION

UTILISER CET APPAREIL À DES FINS DE VENTILATION GÉNÉRALE SEULEMENT. NE PAS UTILISER CET APPAREIL POUR ÉVACUER DES MATÉRIAUX OU DES VAPEURS DANGEREUX OU EXPLOSIFS.

AVERTISSEMENT

POUR RÉDUIRE LES RISQUES D'INCENDIE, DE CHOC ÉLECTRIQUE ET DE BLESSURE, RESPECTER LES DIRECTIVES SUIVANTES :

- A. Utiliser cet appareil uniquement aux fins prévues par le fabricant. Si vous avez des questions à propos de l'appareil, communiquez avec le fabricant.
- B. Avant de faire l'entretien de l'appareil ou de le nettoyer, coupez l'alimentation dans le panneau électrique et verrouillez le panneau en bloquant le dispositif permettant d'empêcher d'activer l'alimentation accidentellement. S'il n'est pas possible de verrouiller l'accès au panneau, fixez une étiquette très voyante au panneau électrique.
- C. Une personne qualifiée doit effectuer l'installation et le câblage des fils électriques en conformité avec tous les codes et toutes les normes, y compris la cote de résistance au feu.
- D. Il est important de prévoir suffisamment d'air pour assurer une bonne combustion de l'équipement de chauffe et l'évacuation adéquates des gaz par le conduit de cheminé afin de prévenir les refoulements d'air. Respectez les directives et les normes de sécurité des fabricants de l'équipement de chauffage, comme celles publiées par la National Fire Protection Association (NFPA), la American Society for Heating, Refrigeration and Air Conditioning Engineers (ASHRAE) et le code des autorités de votre région.
- E. Au moment de couper ou de percer un mur ou un plafond, assurez-vous de ne pas endommager la filerie électrique ou tout autre accès à un service publique.
- F. Il faut toujours évacuer à l'extérieur les systèmes à conduit.

ATTENTION

Pour réduire les risques d'incendie et évacuer l'air correctement, assurez-vous que le conduit mène à l'extérieur; il ne faut pas évacuer l'air dans l'espace entre les murs, dans les plafonds, dans les greniers, les vides sanitaires ou les garages.

AVERTISSEMENT

POUR RÉDUIRE DES RISQUES D'INCENDIE, UTILISEZ UNIQUEMENT DES CONDUITS EN MÉTAL.

Installez cette hotte en respectant toutes les exigences mentionnées.

AVERTISSEMENT

Pour réduire les risques d'incendie et de choc électrique, n'utilisez pas cette hotte avec un contrôleur de vitesse à semi-conducteurs.

AVERTISSEMENT

POUR RÉDUIRE LES RISQUES D'INCENDIE DE GRAISSE SUR LES CUISINIÈRES.

- a) Ne laissez jamais la cuisinière sans surveillance lorsqu'elle est réglée à une haute température. Les débordements par bouillonnement causent de la fumée et des débordements de gras qui peuvent s'enflammer. Faites chauffer l'huile lentement, à une température basse ou moyenne.
- b) Faites toujours fonctionner la hotte lorsque vous utilisez la cuisinière à une haute température ou que vous faites flamber des aliments (P. ex. : crêpes Suzette, cerises jubiléés, boeuf au poivre flambé).
- c) Nettoyez les hélices de ventilation fréquemment. Il ne faut pas que la graisse s'accumule sur les filtres ou les hélices.
- d) Utilisez le bon format de casserole. Utilisez toujours un chaudron de taille approprié à l'élément de la cuisinière.

AVERTISSEMENT

POUR ÉVITER DE BLESSER QUELQU'UN LORS D'UN INCENDIE DE GRAISSE SUR LA CUISINIÈRE, SUIVRE LES CONSEILS SUIVANTS :

- a) ÉTOUFFER LES FLAMMES avec un couvercle aux dimensions de la tache de cuisson, une tôle à biscuit ou tout autre plateau métallique, puis couper le gaz ou l'alimentation électrique de la cuisinière. FAIRE ATTENTION A NE PAS SE BRÛLER. Si les flammes ne s'éteignent pas immédiatement, QUITTER LA PIÈCE ET APPELER LES POMPIERS.
- b) NE JAMAIS PRENDRE EN MAIN UNE CASSEROLE EN FEU, vous pourriez vous blesser.
- c) NE PAS UTILISER D'EAU, y compris les essuies de vaisselle ou les serviettes humides – une violente explosion due à la vapeur formée pourrait survenir.
- d) Utiliser un extincteur SEULEMENT si:
 - 1) Vous êtes sûr d'avoir un extincteur de classe ABC que vous savez utiliser.
 - 2) Le feu est petit et confiné à la zone où il s'est formé.
 - 3) Les pompiers ont été appelés.
 - 4) Vous pouvez lutter contre le feu avec une sortie derrière vous.

MODE OPÉRATEIRE

- a. Toujours laisser les grilles de sécurité et les filtres à leur place. Sans la présence de ces derniers, les parties aspirantes pourraient attirer les cheveux, les doigts ou les vêtements.

Le fabricant décline toute responsabilité si les informations détaillées dans ce manuel pour l'installation, l'entretien et l'utilisation adéquate du produit ne sont pas observées. Le fabricant décline en outre toute responsabilité pour d'éventuelles blessures dues à des négligences; en outre, la garantie de l'appareil sera annulée suite à des conditions d'entretien inappropriées. Cet appareil est fabriqué pour un usage interne. Ne pas utiliser cet appareil à l'extérieur.

Exigences électriques et exigences d'installation

Exigences électriques

IMPORTANT

Respectez tous les codes et les ordonnances en vigueur.

Le client a la responsabilité de :

Contactez un électricien-installateur.

Vérifier que l'installation électrique est adéquate et conforme avec le Code national de l'électricité, ANSI/NFPA 70 (la plus récente édition*), ou les normes C22.1-94, Code canadien de l'électricité, Partie 1 et C22.2 No.0-M91 (La plus récente édition**) de la CSA, ainsi que tous les codes et les ordonnances de votre région.

Si le code le permet et que vous utilisez un fil de mise à la terre distinct, il est recommandé de faire vérifier le chemin du fil par un électricien.

Ne pas mettre l'appareil à la terre sur une conduite de gaz. Consultez un électricien qualifié si vous n'êtes pas certain que la hotte est mise à la terre correctement. N'installez pas un fusible dans le circuit neutre ou le circuit de mise à la terre.

IMPORTANT

Conservez ces instructions afin de pouvoir les remettre à l'inspecteur-électricien.

La hotte doit être câblée uniquement à l'aide de fils de cuivre.

Il faut raccorder la hotte directement à une boîte à fusible ou à un disjoncteur par l'entremise d'une canalisation électrique en métal.

Le calibre de fil doit être conforme aux exigences du Code national de l'électricité, ANSI/NFPA 70 (La plus récente édition*), ou les normes C22.1-94, Code canadien de l'électricité, Partie 1 et C22.2 0-M91 (La plus récente édition**) de la CSA, ainsi que tous les codes et les ordonnances de votre région.

Il faut prévoir un connecteur de canalisation approuvé par l'UL ou la CSA à chaque extrémité de la canalisation d'alimentation (À la hotte et à la boîte de jonction).

Vous pouvez obtenir un exemplaire des normes indiquées en vous adressant à :

* La National Fire Protection Association, Batterymarch Park
Quincy, Massachusetts, 02269

** La CSA International, 8501 East Pleasant Valley Road,
Cleveland, Ohio, 44131-5575

Avant d'installer la hotte

1. Pour assurer la ventilation la plus efficace possible, installez la conduite en ligne droite ou avec le moins de coudes possibles.
ATTENTION : La sortie de la conduite de ventilation doit donner sur l'extérieur.
2. Deux personnes sont nécessaires pour effectuer l'installation.
3. La quincaillerie fournie permet de fixer la hotte à la plupart des murs et des plafonds; consultez un installateur qualifié pour vous assurer que la quincaillerie fournie est adaptée à votre type de mur ou d'armoire.
4. N'utilisez pas de conduit flexible.
5. Dans le cas des endroits sujets aux TEMPÉRATURES FROIDES, il faut installer un clapet de contre-tirage supplémentaire afin de minimiser le retour d'air froid et un isolant thermique non métallique afin de minimiser la conduction de la température extérieure dans le conduit. Il faut placer le clapet du côté de l'air froid de l'isolant thermique.
L'isolant doit être placé le plus près possible de l'endroit où le conduit entre dans la partie chauffée de la maison.
6. Air d'appoint : Le code du bâtiment de votre région peut exiger l'utilisation d'un système d'air d'appoint si vous utilisez un système de ventilation à conduit dont le mouvement d'air dépasse un certain nombre de CFM. Le nombre de pi³/min varie d'une région à l'autre. Consultez un professionnel de CVC pour connaître les exigences précises de votre région.

Liste des pièces

Pièces fournies

Enlever l'emballage

ATTENTION

Enlever délicatement le carton, Porter des gants pour se protéger des bords coupants.

AVERTISSEMENT

Enlever le film de protection recouvrant le produit avant de commencer l'opération.

- Structure de la hotte assemblée avec ventilateur, raccord.
- 4 lampes déjà installées.
- 3 Filtre anti-graisse
- 4 Conduits de cheminée.
- Kit quincaillerie comprenant:
 - Gabarit de montage plafond
 - Guide d'utilisation, entretien et installation
 - Vis à bois (4 pièces - 3/16" x 1" 3/4)
 - Vis d'assemblage (71 pièces)
 - 4 ressorts en plastique
 - Crochets de conduits de cheminée (4 de chaque)
- 8 supports verticaux.
- 2 supports de conduit de cheminée supérieur.
- 2 supports horizontaux.
- 2 Adaptateurs Torx.

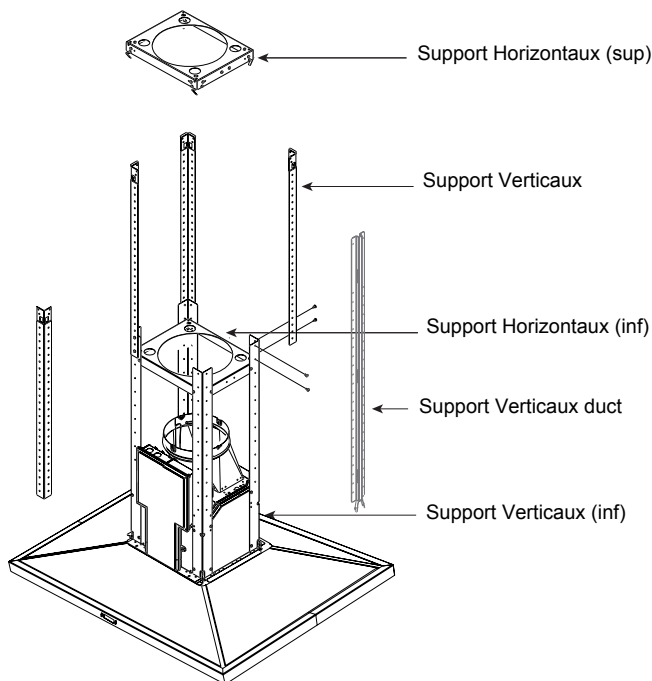
Pièces non fournies

Accessoires optionnel

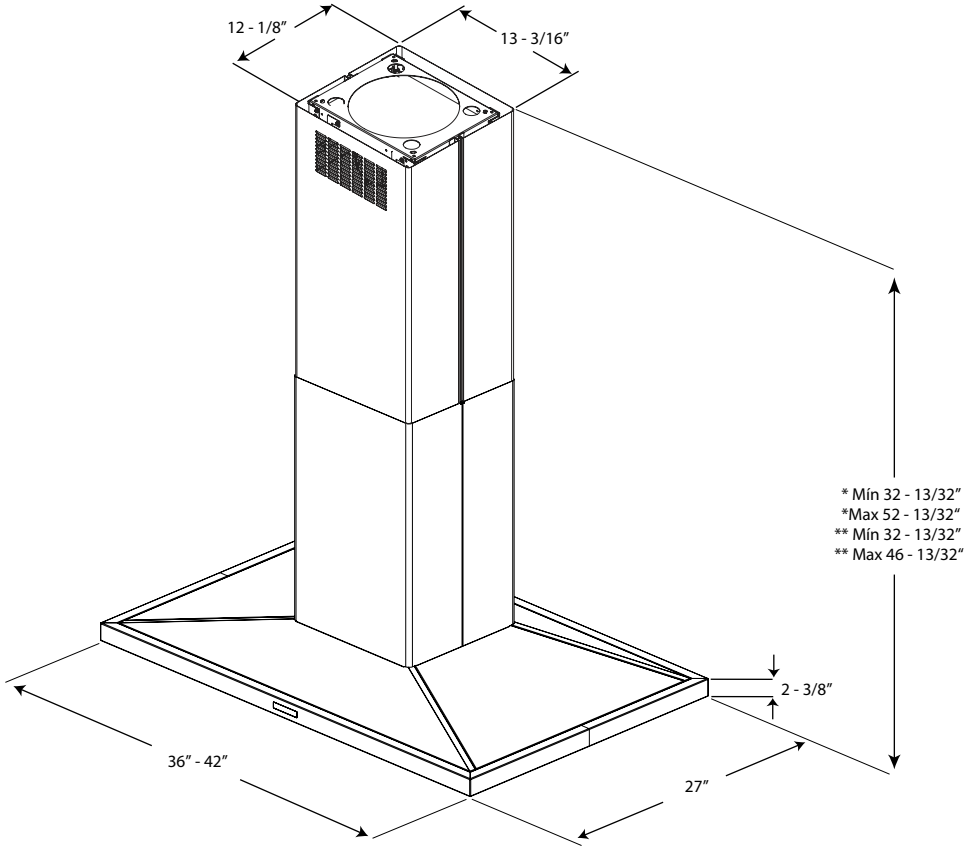
- Trousse de conversion en hotte à recyclage à utiliser seulement avec la version sans conduit (À recyclage)
comprend : filtre au charbon, soutien de filtre au charbon et support de fixation, déflecteur

Outils nécessaires

- Ecrous métalliques
- Ruban pour le gabarit de montage
- Conduit métallique circulaire de 8" pour parfaire l'installation
- Mètre ruban
- Tenailles
- Gants
- Couteau
- Lunettes de sécurité
- Foreuse électrique 5/16" et 3/8"
- Réducteur de tension
- Niveau
- Toile isolante
- 2 tournevis Phillips (Pozidrive)
- Dénudeur
- Ruban de masquage
- Marteau
- Scie, scie circulaire



Dimensions et Dégagement



- ***Version de hotte à recyclage SEULEMENT**

Exemples et possibilités de positionnement des conduits

Suivez à la lettre les directives présentées dans ce manuel.

Le fabricant refuse toute responsabilité en ce qui a trait à tout préjudice, dommage ou incendie causé par la non observation des directives contenues dans le présent manuel.

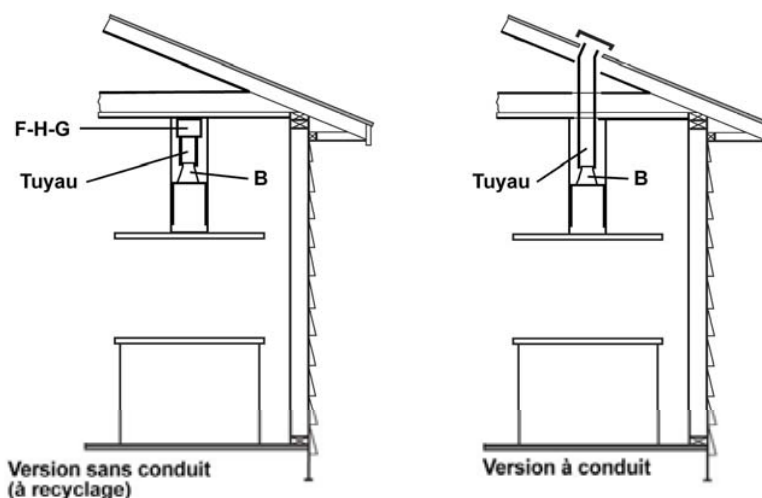
Méthodes de ventilation

La hotte est dotée d'une transition **B** afin d'évacuer les vapeurs à l'extérieur (version à conduit).

S'il s'avère impossible d'évacuer la fumée et les vapeurs de cuisson à l'extérieur, il est possible de transformer la hotte en version **sans conduit (Recyclage)**. Fixer un filtre au charbon et le déflecteur **F** sur le **support de couvercle de conduit G**. La fumée et la vapeur sont recyclées par la **grille supérieure H** par l'entremise d'un conduit raccordé à la transition **B** et à la transition montée sur le déflecteur **F**.

NOTE : dans le cas de la version sans conduit (À recyclage) seulement : procurez-vous la trousse de conversion en hotte à recyclage.

Diamètre minimum des conduit (Version avec ou sans conduit) : tuyau rond de 8 po.



Préparation

Ne coupez pas une solive ou un montant à moins qu'il soit absolument nécessaire de le faire. Si vous devez couper une solive ou un montant, vous devez construire un cadre de soutien.

La quincaillerie fournie permet de fixer la hotte à la plupart des murs et des plafonds.

Vous devez cependant demander à un technicien qualifié de vérifier la solidité des matériaux selon le type de mur ou de plafond. Before making cutouts, make sure there is proper clearance within the ceiling or wall for exhaust vent.

Avant de couper, assurez-vous qu'il y a un dégagement suffisant dans le plafond ou le mur pour passer la conduite de sortie.

Vous pouvez déterminer vous-même la hauteur à laquelle vous installez la hotte au dessus de la cuisinière. Plus la hotte est près de la cuisinière, plus elle est efficace à capter les odeurs de cuisson, la graisse et la fumée.

ATTENTION:

POUR 8' PLAFONDS: METTEZ LA HOTTE AFIN D'AVOIR ENTRE LE BORD INFÉRIEUR DE LA HOTTE ET LE PLAN DE CUISSON UNE DISTANCE DE 27" (68,6 CM).

POUR 9' PLAFONDS: METTEZ LA HOTTE AFIN D'AVOIR ENTRE LE BORD INFÉRIEUR DE LA HOTTE ET LE PLAN DE CUISSON UNE DISTANCE DE 30" (76,2 CM).

Vérifiez donc la hauteur de votre plafond et la hauteur maximum de la hotte avant de choisir votre modèle de hotte.

Installation

Installation - Version à conduit

1. Calculs avant l'installation

K = Hauteur de la cuisine

C = Hauteur du comptoir (36 po standard)

P = Hauteur désirée de la hotte

Du bas de la hotte au comptoir

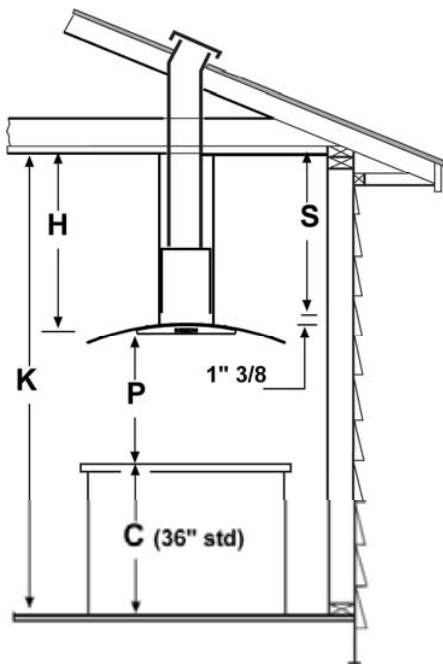
H = Hauteur de la hotte dans votre installation

$H = K - C - P$

S = Hauteur de la structure de cheminée dans votre installation

$S = H - 1 \frac{3}{8}$ po

- Déterminez la hauteur de la hotte **P** qui est confortable pour l'utilisateur.
- Calculez la hauteur d'installation de la hotte en utilisant la formule suivante : $H = K - C - P$.
- Confirmez que la valeur de **H** se situe entre la valeur minimum et maximum de **H** pour votre modèle (Voir le paragraphe "Dimensions et dégagement"). Si ce n'est pas le cas, ajustez votre installation.
- Calculez la hauteur de la structure de cheminée (**S**). Notez ce calcul pour y revenir plus tard durant l'installation.

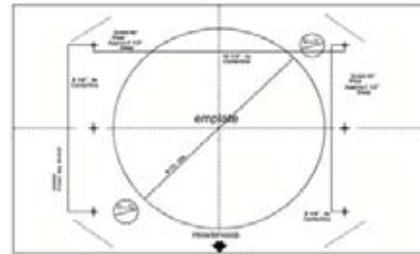


Ceiling Support Structures

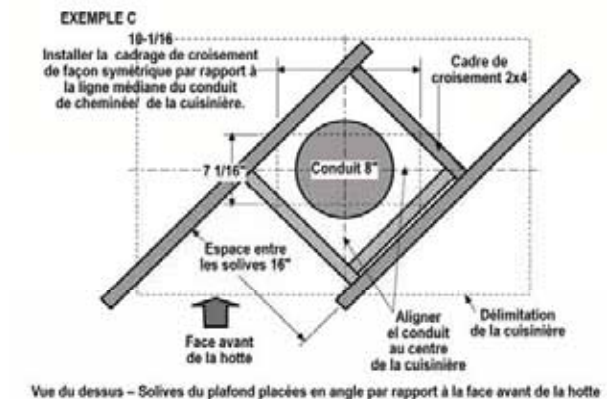
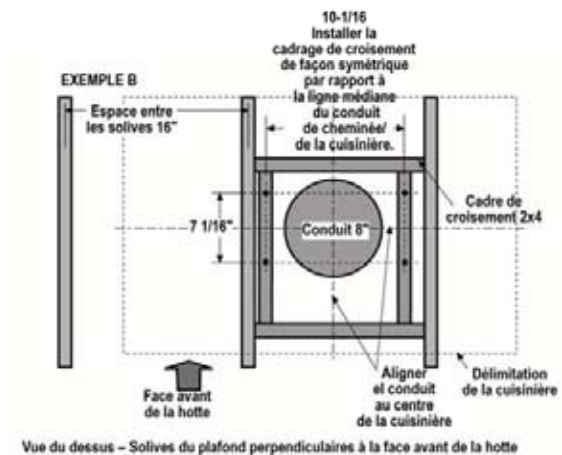
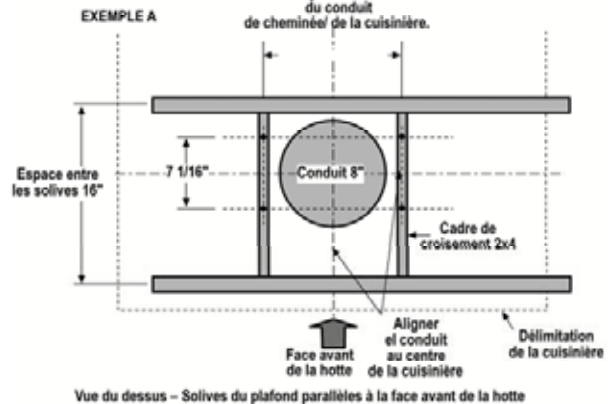
- Cette hotte de ventilation est lourde. Des structures et des supports adéquats doivent être fournis pour les types d'installations.
- A l'endroit de la hotte, installez un cadre croisé de 2"x 4" entre les solives du plafond comme indiqué. (2"x 4" sont nécessaires pour supporter le poids de la hotte.)
- Ajuster le cadre sur le plafond par rapport à la structure existante.
- Vos solives de plafond doivent être comme un des exemples suivants.

IMPORTANT

Le cadre doit être capable de supporter 150lbs.



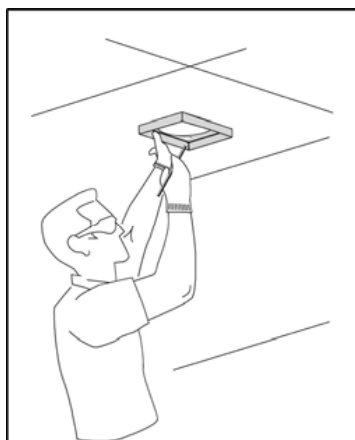
10-1/16
Installer la
cadre de croisement
de façon symétrique
par rapport à
la ligne médiane
du conduit
de cheminée de la cuisinière.



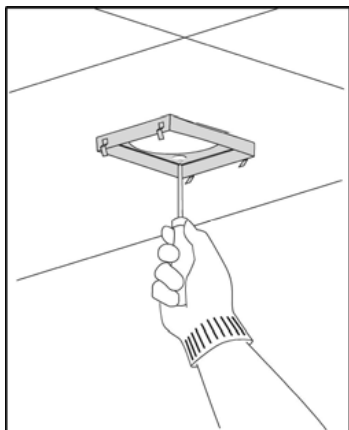
- Placez le gabarit dans le plafond étant donné les directives pour les structures du support du plafond. Toujours considérez le devant de légende du capuchon quand jouer le gabarit sur le plafond. Il définira l'emplacement du contrôle



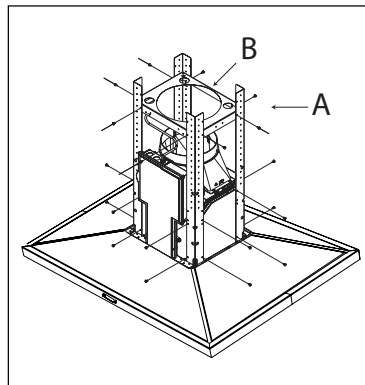
- Marquer avec un crayon les emplacements des trous pour les vis et le conduit sur le plafond.



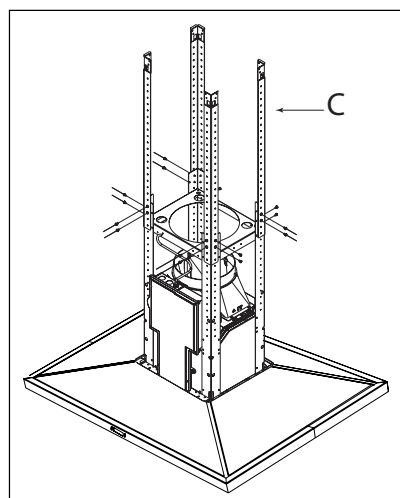
- Fixer le support horizontal supérieur à l'aide de 4 vis à bois.



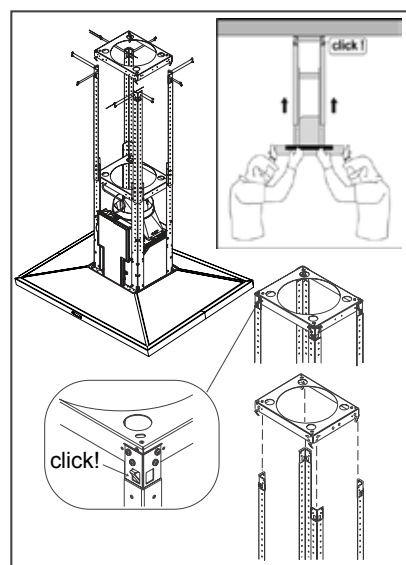
- Attachez les 4 supports verticaux inférieurs (A) au capuchon avec 16 vis. L'attachez le support horizontal inférieur (B) brin 8 vis (inf).



- Attacher la partie supérieure de 4 supports verticaux (sup) (C) whit 16 vis pour ajuster la distance souhaitée, il

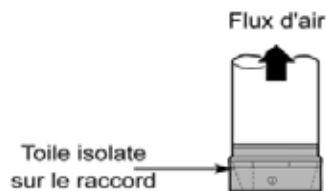


- Attacher l'assemblage au support fixé sur le plafond. Assurer avec des vis (16).

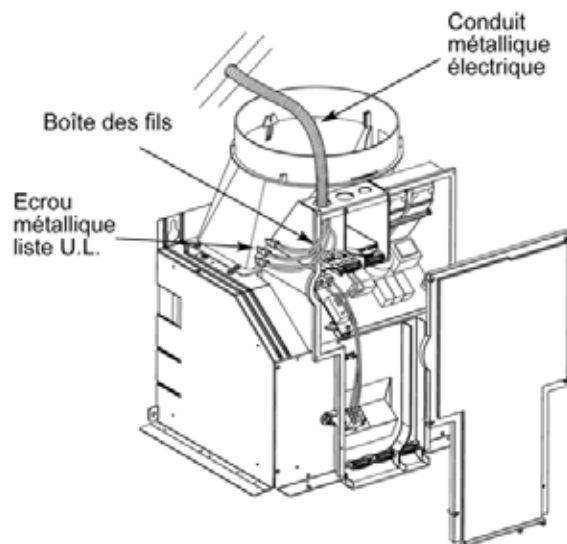


Raccorder le conduit

- Installer le conduit, effectuer les raccords dans la direction du flux d'air comme illustré.
- Pousser le conduit dans la sortie d'évacuation.
- Recouvrir tous les joints des conduits et les raccords à la bride avec de la toile isolante pour une fermeture hermétique.
- Effectuer la même opération pour le raccordement à l'évacuation dans le mur ou dans le plafond.



- Si ce n'est pas déjà fait, installer un tube de raccordement de 1/2" dans la boîte de connexion.



Connexion électrique

AVERTISSEMENT

Danger de choc électrique

AVERTISSEMENT : Coupez l'alimentation du circuit dans le panneau électrique avant de raccorder les fils de cet appareil.

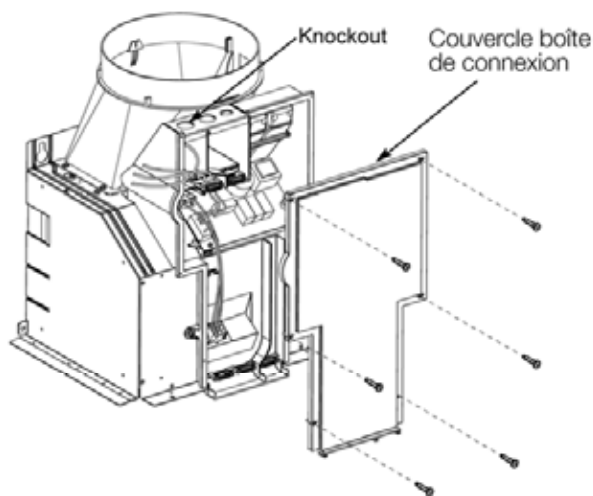
Un circuit de 120 V c.a., de 15 ou 20 A est requis.

INSTRUCTIONS DE MISE À LA TERRE

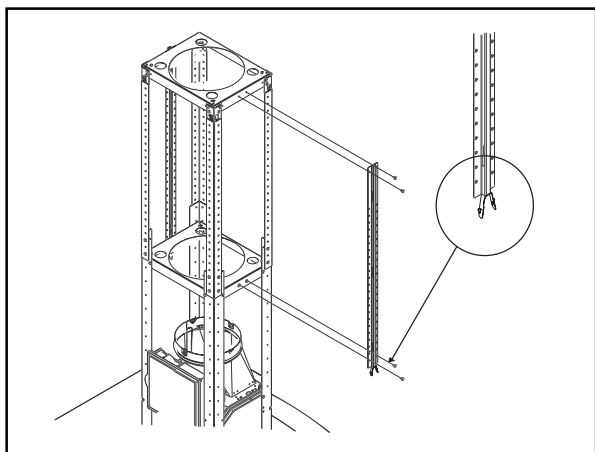
CET APPAREIL EST MUNI D'UNE BOÎTE DE JONCTION ÉLECTRIQUE À TROIS FILS, DONT L'UN (VERT/JAUNE) SERT À METTRE L'APPAREIL À LA TERRE. POUR VOUS PROTÉGER CONTRE LES CHOC ÉLECTRIQUES, VOUS DEVEZ RACCORDER LE FIL VERT/JAUNE AU FIL DE MISE À LA TERRE DU SYSTÈME ÉLECTRIQUE DE VOTRE MAISON. EN AUCUNE CIRCONSTANCE CE FIL DOIT ÊTRE COUPÉ OU ENLEVÉ.

Le fait de ne pas respecter cette directive peut entraîner la mort ou un choc électrique.

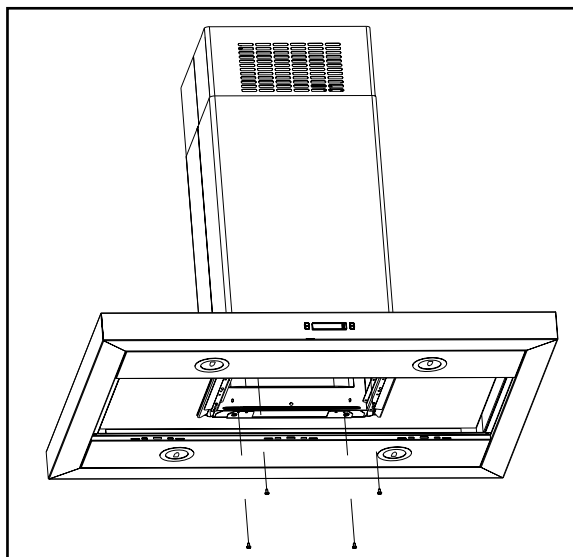
En faisant face à l'avant de la hotte, retirez l'alvéole défonçable de gauche et le couvercle de la boîte de jonction et installez un connecteur de canalisation (Listé dans cULus) dans la boîte de jonction.



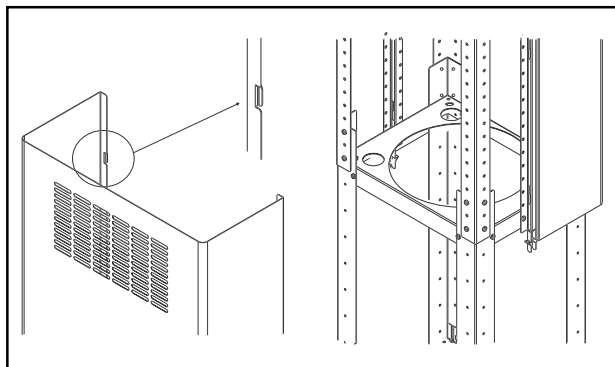
- Attacher les supports du conduit vertical en utilisant 4 vis.



- Le conduit de cheminée inférieur doit être sécurisé à la hotte à l'aide de 4 vis.



- Placer les conduits de cheminée supérieurs en les glissant jusqu'au «click» du ressort. Ensuite vérifier.



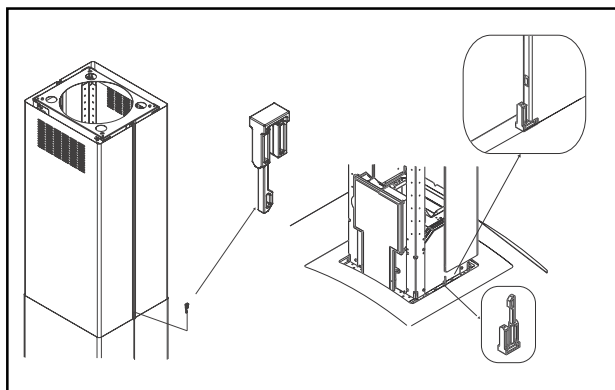
Installer le filtre anti-graisse et remettre le courant à la boîte à fusible. Vérifier le fonctionnement de la hotte.

Si la hotte ne fonctionne pas :

- Vérifiez que le disjoncteur ne s'est pas déclenché ou que le fusible n'est pas grillé.
- Débranchez l'alimentation. Vérifiez que les raccords électriques ont été effectués correctement.

Pour utiliser votre nouvelle hotte de façon optimale, lisez la section intitulée " Entretien et utilisation ". Gardez vos instructions d'installations et d'utilisation près de la hotte pour pouvoir vous y référer facilement.

- Placer les conduits de cheminée inférieurs en utilisant un crochet en plastique à chaque extrémité (4 nécessaires).



Installation - Version sans conduit (Recyclage)

IMPORTANT

Recirculation kit vendu séparément
 Pour l'acheter, s'il vous plaît composer le numéro sans frais suivant 1-888-732-8018 et demande au KIT02198 pour les hottes de l'île.

1. Calculs avant l'installation

K = Hauteur de la cuisine

C = Hauteur du comptoir (36 po standard)

P = Hauteur désirée de la hotte

Du bas de la hotte au comptoir

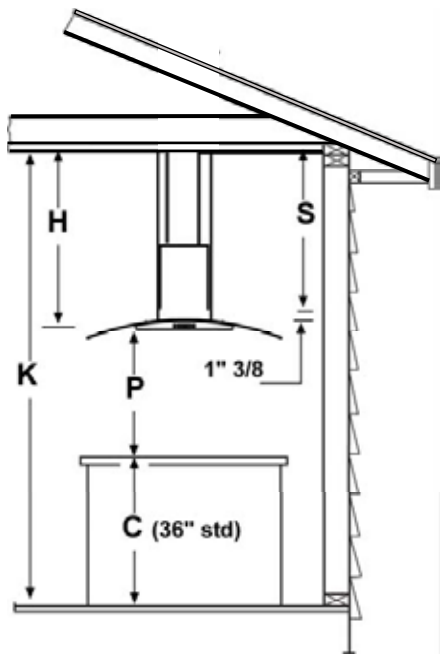
H = Hauteur de la hotte dans votre installation

$H = K - C - P$

S = Hauteur de la structure de cheminée dans votre installation

$S = H - 1 \frac{3}{8}$ po.

- Déterminez la hauteur de la hotte P qui est confortable pour l'utilisateur.
- Calculez la hauteur d'installation de la hotte en utilisant la formule suivante : $H = K - C - P$.
- Confirmez que la valeur de H se situe entre la valeur minimum et maximum de H pour votre modèle (Voir le paragraphe "Dimensions et dégagement"). Si ce n'est pas le cas, ajustez votre installation.
- Calculez la hauteur de la structure de cheminée (S). Notez ce calcul pour y revenir plus tard durant l'installation.

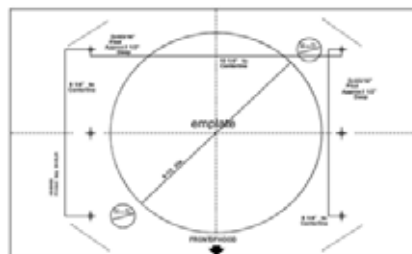


Structures de support plafond

- Cette hotte de ventilation est lourde. Des structures et des supports adéquats doivent être fournis pour les types d'installations.
- A l'endroit de la hotte, installer un cadrage croisé de 2"x 4" entre les solives du plafond comme indiqué. (2"x 4" sont nécessaires pour supporter le poids de la hotte.)
- Ajuster le cadrage sur le plafond par rapport à la structure existante.
- Vos solives de plafond doivent être comme un des exemples suivants.

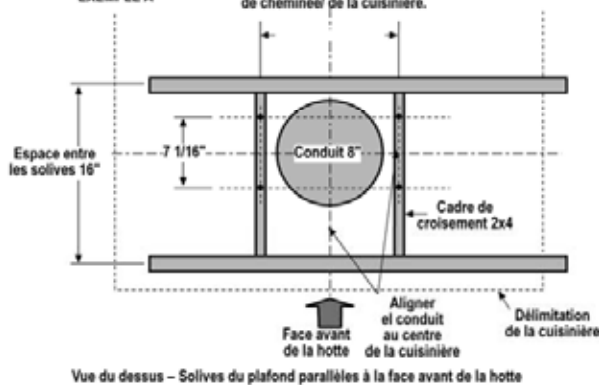
IMPORTANT

Le cadre doit être capable IMPORTANT de supporter 150lbs.

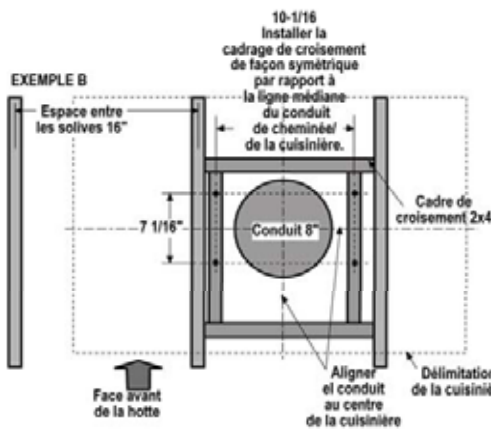


10-1/16
 Installer la cadrage de croisement de façon symétrique par rapport à la ligne médiane du conduit de cheminée/ de la cuisinière.

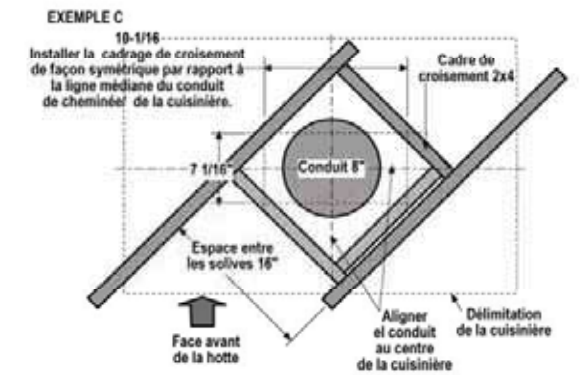
EXEMPLE A



Vue du dessus - Solives du plafond parallèles à la face avant de la hotte



Vue du dessus - Solives du plafond perpendiculaires à la face avant de la hotte

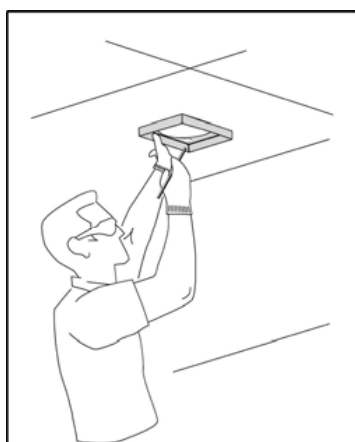


Vue du dessus - Solives du plafond placées en angle par rapport à la face avant de la hotte

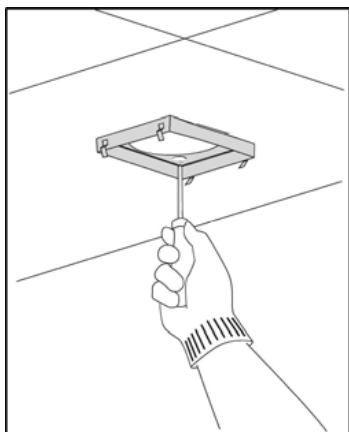
- Placez le gabarit dans le plafond étant donné les directives pour les structures du support du plafond. Toujours considère le devant de légende du capuchon quand jouer le gabarit sur le plafond. Il définira l'emplacement du contrôle



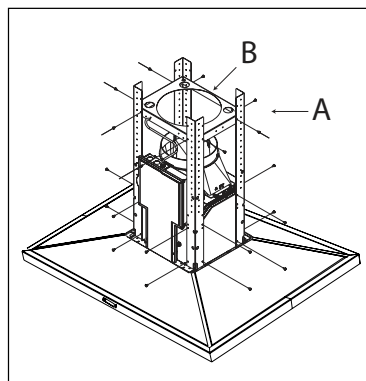
- Marquer avec un crayon les emplacements des trous pour les vis et le conduit sur le plafond.



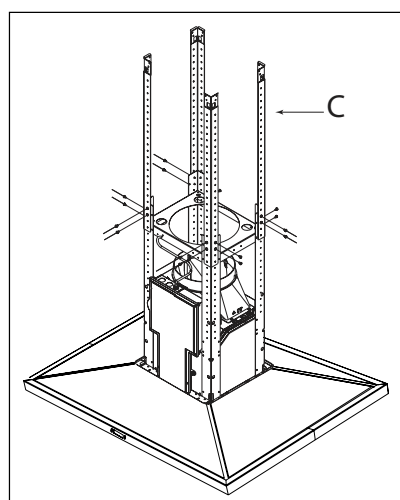
- Fixer le support horizontal supérieur à l'aide de 4 vis à bois.



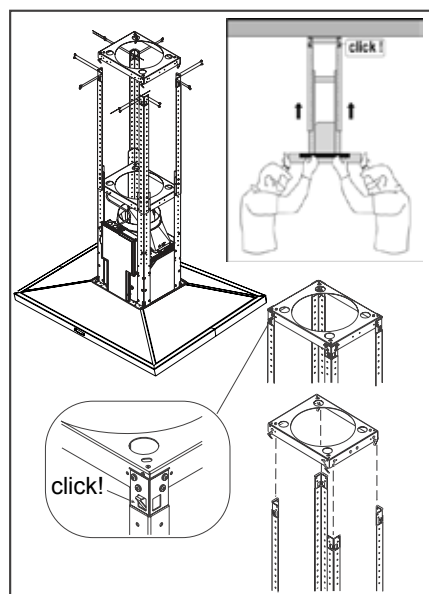
- Attachez les 4 supports verticaux inférieurs (A) au capuchon avec 16 vis. L'attachez le support horizontal inférieur (B) brin 8 vis (inf).



- Attacher la partie supérieure de 4 supports verticaux (sup) (C) whit 16 vis pour ajuster la distance souhaitée, il

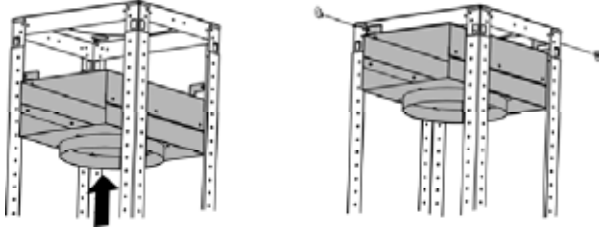


- Attacher l'assemblage au support fixé sur le plafond. Assurer avec des vis (16).

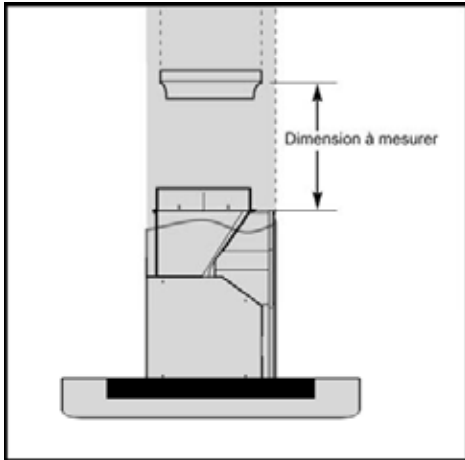


Installation du déflecteur

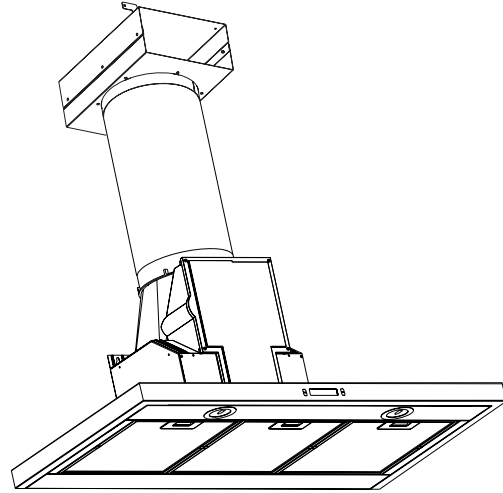
- Assembler le déflecteur d'air avec le support horizontal supérieur à l'aide des 2 vis fournies.



- Prendre les mesures du fond du déflecteur d'air au fond de la sortie de la hotte, comme indiqué sur la figure.



- Couper le conduit à la dimension mesurée.
- Glisser le conduit dans le fond du déflecteur.
- Placer le conduit assemblés sur la sortie d'évacuation de la hotte.
- Utiliser de la toile isolante pour sceller le déflecteur et à l'extrémité de l'évacuation extérieure de la hotte.



Connexion électrique

AVERTISSEMENT

Danger de choc électrique

AVERTISSEMENT : Coupez l'alimentation du circuit dans le panneau électrique avant de raccorder les fils de cet appareil.

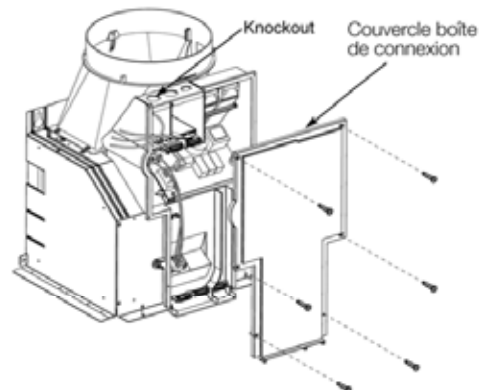
Un circuit de 120 V c.a., de 15 ou 20 A est requis.

INSTRUCTIONS DE MISE À LA TERRE

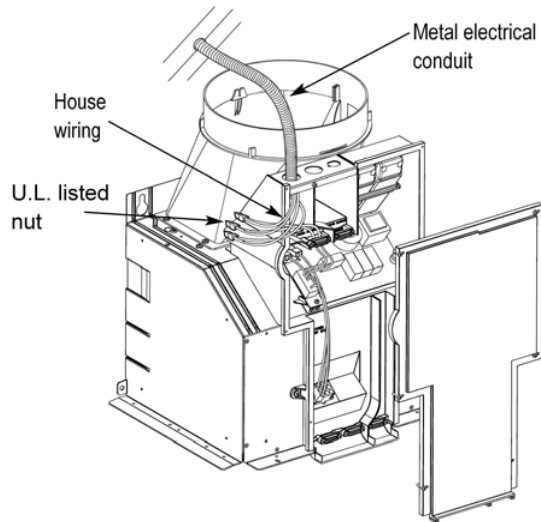
CET APPAREIL EST MUNI D'UNE BOÎTE DE JONCTION ÉLECTRIQUE À TROIS FILS, DONT L'UN (VERT/JAUNE) SERT À METTRE L'APPAREIL À LA TERRE. POUR VOUS PROTÉGER CONTRE LES CHOCS ÉLECTRIQUES, VOUS DEVEZ RACCORDER LE FIL VERT/JAUNE AU FIL DE MISE À LA TERRE DU SYSTÈME ÉLECTRIQUE DE VOTRE MAISON. EN AUCUNE CIRCONSTANCE CE FIL DOIT ÊTRE COUPÉ OU ENLEVÉ.

Le fait de ne pas respecter cette directive peut entraîner la mort ou un choc électrique.

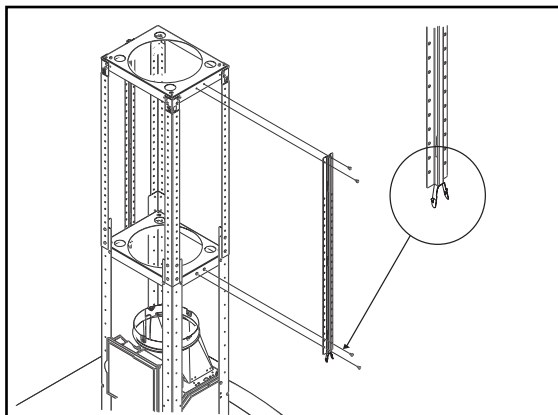
En faisant face à l'avant de la hotte, retirez l'alvéole défonçable de gauche et le couvercle de la boîte de jonction et installez un connecteur de canalisation (Listé dans cULus) dans la boîte de jonction.



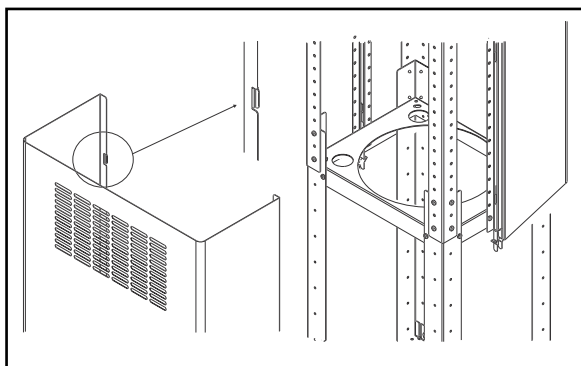
- Si ce n'est pas déjà fait, installer un tube de raccordement de 1/2" dans la boîte de connexion.



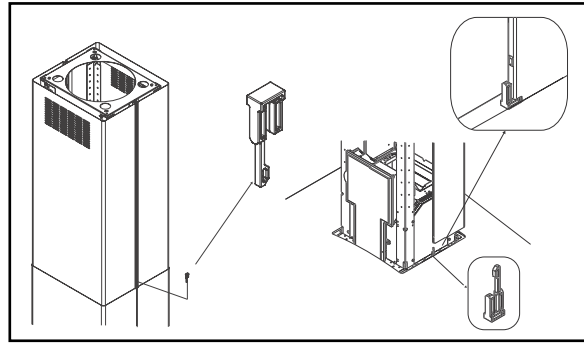
- Attacher les supports du conduit vertical en utilisant 4 vis.



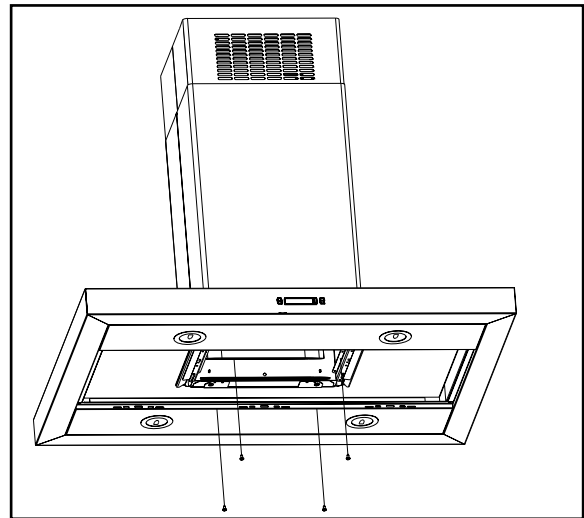
- Placer les conduits de cheminée supérieurs en les glissant jusqu'au «click» du ressort. Ensuite vérifier.



- Placer les conduits de cheminée inférieurs en utilisant un crochet en plastique à chaque extrémité (4 nécessaires).



- Le conduit de cheminée inférieur doit être sécurisé à la hotte à l'aide de 4 vis.



Installer le filtre anti-graisse et remettre le courant à la boîte à fusible. Vérifier le fonctionnement de la hotte.

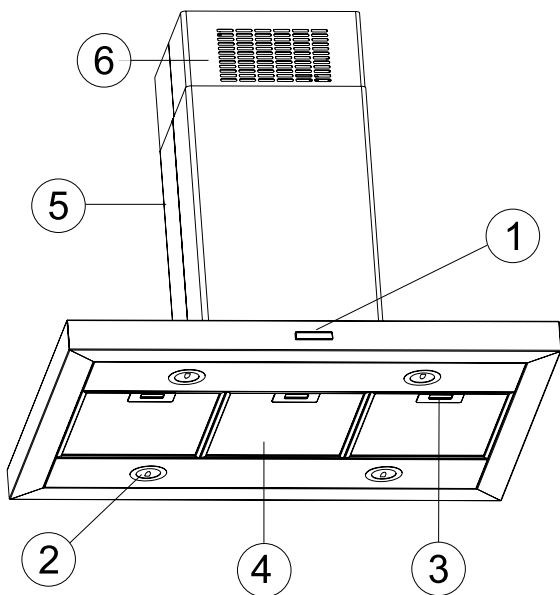
Si la hotte ne fonctionne pas :

- Vérifiez que le disjoncteur ne s'est pas déclenché ou que le fusible n'est pas grillé.
- Débranchez l'alimentation. Vérifiez que les raccords électriques ont été effectués correctement.

Pour utiliser votre nouvelle hotte de façon optimale, lisez la section intitulée " Entretien et utilisation ".

Gardez vos instructions d'installations et d'utilisation près de la hotte pour pouvoir vous y référer facilement.

Description de la hotte et des commandes



1. Contrôles soufflerie et lumières
2. Emplacements des ampoules
3. Poignée filtre anti-graisse
4. Filtre anti-graisse
5. Conduit de cheminée
6. Trous de ventilation (Uniquement pour la version avec recyclage d'air)

Commandes

Utiliser la puissance d'aspiration maximum en cas de concentration très importante des vapeurs de cuisson. Nous conseillons d'allumer le dispositif d'aspiration 5 minutes avant de commencer la cuisson et de le faire fonctionner encore pendant 15 minutes environ après avoir terminé la cuisson.

Remarque: La hotte enregistre la dernière vitesse lorsque l'aspiration est coupée.

Description du panneau de commandes



1. Touche Lumière

- Appuyer sur la touche pour allumer la lumière "haute intensité" (état précédent lumière OFF).
- Appuyer sur la touche pour allumer la lumière "basse intensité" (état précédent lumière ON).
- Appuyer sur la touche pour éteindre la lumière (état précédent lumière ON).

2. Touche Timer

- Le réglage par défaut du timer est de 10 minutes et il peut être ajusté entre 60 minutes et 1 minute.
- Le temps programmé par défaut est de 10 minutes et il peut être ajusté entre 1 minute et 60 minutes.
- Après avoir appuyé sur la touche "Timer", le système entre dans la modalité de réglage et l'utilisateur peut régler le temps de compte à rebours du timer en utilisant les touches "+" et "-" dans les 5 secondes.
- Si aucun réglage n'est effectué dans les 5 secondes suivant la sélection de la fonction "Timer" ou le réglage du temps, le compte à rebours commence.
- Durant le setup du "Timer", les touches "+" et "-" sont dédiées à la temporisation et ne font pas varier la vitesse du moteur.
- Une fois le compte à rebours commencé, il peut être annulé en appuyant sur la touche "Timer".

3. Display

- Montre l'état de la hotte.
- Quand la hotte n'est pas en fonction, le display s'allume à faible intensité. En appuyant sur n'importe quelle touche, le display s'illumine à forte intensité.
- Quand la hotte est en fonction, le display s'allume à forte intensité. Si aucune touche n'est enfoncée pendant 1 minute, le display s'illumine de nouveau à faible intensité.

4. "-" Touche diminution vitesse / OFF

- Cette touche est utilisée pour diminuer la vitesse du moteur et pour éteindre la hotte.
- Le moteur s'éteint en appuyant sur la touche "-" si la hotte se trouve à la première vitesse.
- Si le moteur se trouve à la deuxième vitesse et si l'on appuie sur la touche "-", le moteur passe à la première vitesse.
- Si le moteur se trouve à la troisième vitesse et si l'on appuie sur la touche "-", le moteur passe à la deuxième vitesse.
- Si le moteur se trouve à la quatrième vitesse et si l'on appuie sur la touche "-", le moteur passe à la troisième vitesse.

- Si le moteur est éteint et que l'on appuie sur "-", le display s'illumine.

5. "+" Touche augmentation vitesse / ON

- Cette touche est utilisée pour augmenter la vitesse du moteur et pour allumer la hotte.
- Le moteur s'allume en appuyant sur la touche "+" si la hotte se trouve en OFF.
- Si le moteur se trouve à la première vitesse et si l'on appuie sur la touche "+", le moteur passe à la deuxième vitesse.
- Si le moteur se trouve à la deuxième vitesse et si l'on appuie sur la touche "+", le moteur passe à la troisième vitesse.
- Si le moteur se trouve à la troisième vitesse et si l'on appuie sur la touche "+", le moteur passe à la quatrième vitesse.
- Si le moteur se trouve à la quatrième vitesse et si l'on appuie sur la touche "+", un beep est émis.

Programmation Horloge

- L'horloge peut être réglée à tout moment à l'exception de quand la fonction timer est activée.
- L'horloge peut être visualisée dans le format 12 heures avec un temps de visualisation compris entre 1:00 et 12:59.
- L'horloge peut être réglée en appuyant sur la touche "Timer" pendant 3 secondes, en agissant successivement sur les touches "+" et "-" pour régler l'heure.
- L'utilisateur peut augmenter/diminuer l'heure par pas d'1 minute, mais si la pression des touches "+"/"-" est de plus d'une seconde, l'augmentation/diminution se fera par 5 minutes. Durant cette opération, le contrôle arrondit aux 5 minutes les plus proches.
- L'utilisateur peut terminer la phase de réglage de l'heure en appuyant sur la touche "Timer".
- Après 1 minute sans avoir appuyé sur aucune touche, le contrôle accepte la valeur réglée et ajoute 1 minute à celle-ci et commence à compter.

Signal saturation Filtres anti-graisses (En option)

- Après 40 heures de fonctionnement du moteur, apparaît sur le display l'indication "Grease Filter" si le moteur est allumé. Quand ce signal apparaît sur le display, le filtre installé doit être lavé.
- Pour remettre à zéro le signal de saturation des filtres, l'utilisateur doit appuyer sur la touche "+" pendant 5 secondes, après quoi, le signal "Grease Filter" disparaît et le display montre l'état de fonctionnement.

Signal saturation Filtre au Carbone (En option)

- Après 120 heures de fonctionnement du moteur, apparaît sur le display l'indication "Charcoal Filter" si le moteur est allumé. Quand ce signal apparaît sur le display, le filtre à charbon installé doit être remplacé ou réactivé.
- Pour remettre à zéro le signal de saturation des filtres, l'utilisateur doit appuyer sur la touche "-" pendant 5 secondes, après quoi, le signal "Charcoal Filter" disparaît et le display montre l'état de fonctionnement.

Activation/Désactivation signal acoustique

- Les signaux sonores peuvent être activés ou désactivés en appuyant sur la touche "Lumière" pendant 5 secondes.
- Si le signal sonore est activé, un son est émis et le symbole "Snd" doit apparaître sur le display pendant 3 secondes.
- Si le signal sonore est désactivé, le symbole "Snd" doit apparaître sur le display pendant 3 secondes et aucun son ne doit être émis.

Activation/Désactivation signal Filtre Charbon (version Filtrante)

- L'activation et la désactivation du signal saturation filtre charbon peut être réglé en appuyant simultanément pendant 5 secondes sur les touches "-" e "+" .
- L'activation ou la désactivation doit être réglée avec moteur et lampes OFF.
- Quand le signal Filtre Charbon est désactivé, l'alarme est déshabillée.

Alarme Température

- La hotte est équipée d'un détecteur de température qui active le moteur en troisième vitesse dans le cas où la température de la zone environnante soit trop élevée (supérieure à 149° F ou 65° C).
- Si le moteur est OFF ou en première vitesse, et si l'alarme intervient, le moteur se positionne automatiquement à la troisième vitesse et sur le display apparaîtra le signal "CarE".
- Durant cet état, l'utilisateur peut uniquement augmenter la vitesse du moteur.
- Quand la température retourne sous le seuil d'alarme, le moteur retourne dans sa condition précédente à l'alarme.

Entretien

Attention! Avant toute opération de nettoyage ou d'entretien, débrancher la hotte du circuit électrique en enlevant la prise ou en coupant l'interrupteur général de l'habitation.

Nettoyage

Ne pas vaporiser de nettoyeurs directement sur le panneau de contrôle lors du nettoyage de la Hotte. La hotte doit être régulièrement nettoyée à l'intérieur et à l'extérieur (au moins à la même fréquence que pour l'entretien des filtres à graisse). Pour le nettoyage, utiliser un chiffon humidifié avec un détergent liquide neutre. Ne pas utiliser de produit contenant des abrasifs.

NE PAS UTILISER D'ALCOOL!

ATTENTION:

Il y a risque d'incendie si vous ne respectez pas les instructions concernant le nettoyage de l'appareil et le remplacement ou le nettoyage du filtre.

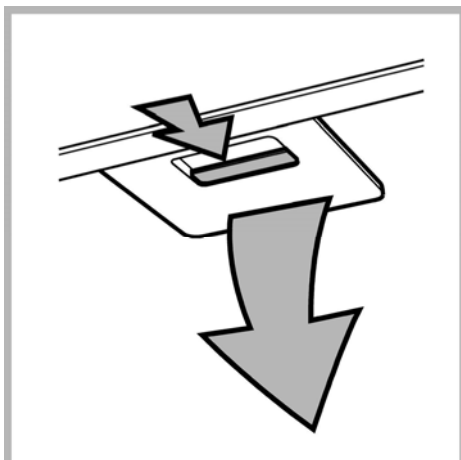
La responsabilité du constructeur ne peut en aucun cas être engagée dans le cas d'un endommagement du moteur ou d'incendie liés à un entretien négligé ou au non respect des consignes de sécurité précédemment mentionnées.

Filtre à graisse

Il retient les particules de graisse issues de la cuisson. Le filtre doit être nettoyé une fois par mois avec des détergents non agressifs, à la main ou dans le lave-vaisselle à faibles températures et cycle rapide.

Le lavage du filtre anti-graisse métallique au lave-vaisselle peut en provoquer la décoloration. Toutefois, les caractéristiques de filtrage ne seront en aucun cas modifiées.

Pour démonter le filtre anti-graisse, tirer la poignée de décrochement à ressort.

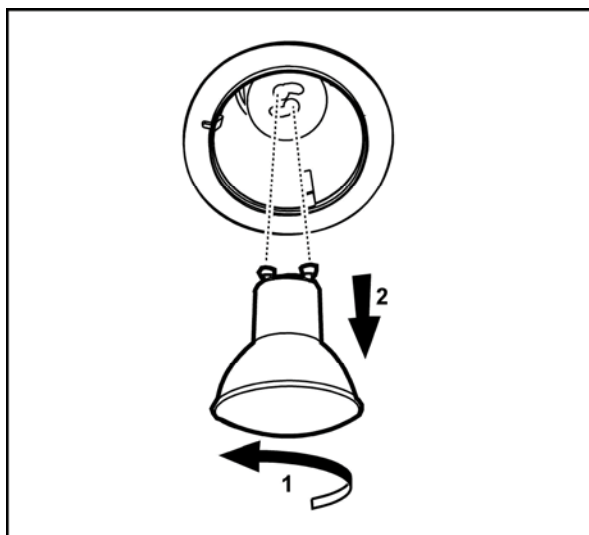


Remplacement des ampoules

ATTENTION

Avant de remplacer les lampes, couper le courant au niveau de la boîte à fusible et verrouiller cette dernière pour prévenir tout risque qu'on remette le courant accidentellement.

NOTE: Couper l'aspiration et les lampes. Laisser les lampes refroidir avant de les manipuler. Si les nouvelles ampoules ne fonctionnent pas, s'assurer qu'elles sont insérées correctement avant d'appeler le service clientèle.



Remplacer les ampoules

- Enlever l'ampoule défectueuse (tourner dans le sens inverse des aiguilles d'une montre) et la remplacer avec une nouvelle ampoule halogène de 120 Volt, 50 Watt (maximum), 50° prévue pour une base GU10, et convenant pour une utilisation dans les lampadaires.

Factres à charbon

Si le système n'a pas d'évacuation vers l'extérieur, l'air va circuler à travers des factres à charbon jetables qui vont aider à éliminer fumée et odeurs.

Les factres au charbon sont fixés sur le châssis du compartiment moteur.

NOTE: Les factres à charbon NE sont PAS inclus dans la hotte.

Ils doivent être commandés chez votre revendeur.

Commander le kit nécessaire en spécifiant votre modèle de hotte et sa largeur.

Nettoyer/remplacer le filtre au charbon

A la différence des autres factres au charbon, le filtre au charbon LONGLIFE peut être nettoyé et réactivé.

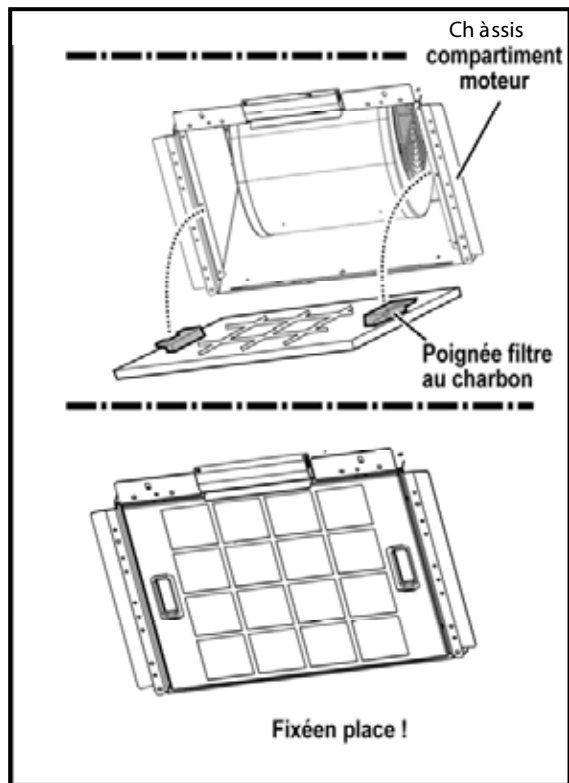
Au cours d'une utilisation normale, le filtre devrait être nettoyé tous les deux mois (lorsque l'on utilise la hotte 2,5 heures par jour en moyenne).

La meilleure façon de nettoyer le filtre est le lave-vaisselle. Utiliser un détergent habituel et choisir la plus haute température (65° C ou 149° F).

Nettoyer le filtre à part de façon à ce qu'aucun reste alimentaire ne se colle sur le filtre et puisse causer de mauvaises odeurs par la suite.

Pour réactiver le filtre au charbon, le filtre doit être séché dans un four pendant 10 minutes à une température maximale de 100° C ou 212° F.

Après environ une année d'utilisation, le filtre au charbon doit être remplacé par un nouveau car la capacité de réduction des odeurs peut être réduite.



Garantie

GARANTIE DE DEUX ANS

ELICA North America

POUR OBTENIR UN DEPANNAGE SOUS GARANTIE

Le propriétaire doit présenter une preuve de la date d'achat. Garder une copie de votre preuve d'achat datée (ticket de caisse) de façon à pouvoir bénéficier du service après-vente sous garantie.

GARANTIE PIÈCES DE RECHANGE ET MAIN D'OEUVRE

Pendant une période de deux (2) ans à partir de la date d'achat, Elica s'engage à fournir gratuitement les pièces de rechange ou les composants autres que les recharges ayant des défauts de fabrication. Durant cette garantie de deux (2) ans, Elica fournira également gratuitement, toute la main d'oeuvre et le service à domicile pour remplacer d'éventuelles pièces défectueuses.

CE QUE LA GARANTIE NE COUVRE PAS

- Dégât ou panne du produit causé par un accident ou un cas de force majeure tels que inondation, incendie ou tremblement de terre.
- Dégât ou panne du produit causé par modification du produit ou utilisation de pièces pas d'origine.
- Dégât ou panne du produit causé lors de la livraison, de la manipulation ou de l'installation.
- Dégât ou panne du produit causé par une mauvaise utilisation.
- Dégât ou panne du produit causé par un remplacement des fusibles ou une remise en fonction des disjoncteurs par le propriétaire.
- Dégât ou panne du produit causé par une utilisation du produit pour raison commerciale.
- Déplacement à domicile pour explication d'utilisation ou d'entretien.
- Ampoules, filtres métalliques ou au charbon et toute autre pièce consommable.
- Usure normale.
- Usure due à une mauvaise utilisation du propriétaire, un entretien incorrect, une utilisation de substances nettoyantes corrosives ou abrasives et produits de nettoyage pour four.

QUI EST COUVERT

Cette garantie s'étend à l'acheteur original de produits achetés pour un usage domestique habituel en Amérique du Nord (Y compris Etats Unis, Guam, Porto Rico, les Iles virgin Américaines & le Canada).

Cette garantie n'est pas transférable et vaut uniquement pour l'acheteur original et ne s'étend pas aux propriétaires successifs du produit. Cette garantie vaut expressément en lieu et place de toute autre garantie, expresse ou sous-entendue, mais ne limite pas toute autre garantie sous-entendue de marchandage ou adaptation dans un but particulier et toute autre obligation de la part de Elica North America, étant entendu, cependant, que si la réclamation pour garanties sous-entendues n'est pas applicable aux yeux de la loi en vigueur, la durée de toute garantie sous-entendue émanant de la loi doit être limitée à deux (2) ans à partir de la date d'achat du produit ou à une période plus longue selon ce que dit la loi en vigueur.

Cette garantie ne couvre pas tout dégât particulier, accidentel et/ou consécutif, ni les pertes et profits, à charge du propriétaire, des ses clients et/ou des utilisateurs Des produits.

QUI CONTACTER

Pour obtenir un Service Après-vente durant la Garantie ou pour toute autre Question liée au Service Après-vente Please Call:

Appeler:

- Service Après-vente autorisé Elica North America au (888) 732-8018
Ou écrire à:
- Elica North America, A l'Attention du Service Client, 222 Merchandise Mart Plaza Suite 947, Chicago, IL 60654 USA
infoamericas@elica.com

Spanish

Contenido

Aviso de seguridad importante	43
Requisitos eléctricos y de instalación	44
Requisitos eléctricos	44
Antes de instalar la campana.....	44
Lista de materiales	45
Piezas suministradas	45
Piezas no suministradas.....	45
Dimensiones y Espacios libres	46
Tipos de ductos y ejemplos	47
Métodos de ventilación	47
Preparación.....	47
Instalación	48
Instalación - Versión con tubos.....	48
Instalación -Versión sin tubos (Recirculación).....	52
Descripción de la campana y los controles	56
Controles.....	57
Mantenimiento	59
Limpieza.....	59
Filtro contra la grasa	59
Sustitución de la bombilla	59
Filtros de Carbón	60
Garantía	61

**APROBADO PARA APARATOS DE USO DOMÉSTICO
SÓLO PARA USO DOMÉSTICO
LEA Y GUARDE ESTAS INSTRUCCIONES**

ANTES DE CONTINUAR, LEA LAS INSTRUCCIONES POR COMPLETO.

LA INSTALACIÓN DEBE CUMPLIR TODA LA NORMATIVA LOCAL.

IMPORTANTE: guarde estas instrucciones para su uso por parte del inspector de electricidad local.

INSTALADOR: entregue al propietario estas instrucciones junto con la unidad.

PROPIETARIO: conserve estas instrucciones para futuras consultas.

Advertencia de seguridad: antes de realizar el cableado de este aparato, desactive el circuito de energía eléctrica en el panel de servicio y desbloquee el panel.

Requisito: Circuito auxiliar de CA de 120 V, 60 Hz, 15 ó 20 A

LEA Y GUARDE ESTAS INSTRUCCIONES

Aviso de seguridad importante

PRECAUCIÓN

SÓLO PARA USO DE VENTILACIÓN GENERAL. NO UTILIZAR PARA EXPULSAR VAPORES O MATERIALES PELIGROSOS O EXPLOSIVOS.

ADVERTENCIA

PARA REDUCIR EL RIESGO DE FUEGO, DESCARGA ELÉCTRICA O LESIONES PERSONALES, RESPETE LO SIGUIENTE:

- A. Utilice esta unidad solamente en el modo que indica el fabricante. En caso de duda, póngase en contacto con el fabricante.
- B. Antes de reparar o limpiar la unidad, desconecte la alimentación en el panel de servicio y bloquee los medios de desconexión del panel de servicio para evitar la conexión accidental de la alimentación. Si no es posible bloquear los medios de desconexión del panel de servicio, coloque un dispositivo de advertencia que destaque como, por ejemplo, una etiqueta, en el panel de servicio.
- C. La instalación y el cableado eléctrico deben realizarlos personas cualificadas de acuerdo con las normativas y los estándares aplicables, incluida la construcción ignífuga.
- D. Es necesaria una ventilación suficiente para la correcta combustión y expulsión de gases por la salida de humos (Chimenea) del equipo de combustión de carburante para evitar el contratiro. Siga las directrices de fabricantes de equipos de calefacción y los estándares de seguridad como los publicados por la National Fire Protection Association (NFPA), American Society for Heating, Refrigeration and Air Conditioning Engineers (ASHRAE) y las normativas locales.
- E. Al efectuar orificios en una pared o techo, no dañe el cableado eléctrico y otras instalaciones ocultas.
- F. Los sistemas instalados mediante conducto deben tener ventilación con salida al exterior.

PRECAUCIÓN

Para reducir el riesgo de fuego y conseguir una salida del aire correcta, asegúrese de conducir el aire hacia el exterior. No permita que el aire se expulse en espacios situados en el interior de muros, techos, desvanes, sótanos de pequeña altura o garajes.

ADVERTENCIA

PARA REDUCIR EL RIESGO DE FUEGO, UTILICE SOLAMENTE TUBOS METÁLICOS.

Instale esta campana de acuerdo con los requisitos especificados.

ADVERTENCIA

Para reducir el riesgo de fuego o descarga eléctrica, no utilice esta campana con ningún dispositivo externo en estado sólido para el control de la velocidad.

ADVERTENCIA

PARA REDUCIR EL RIESGO DE INCENDIO OCASIONADO POR GRASA:

- a) No deje nunca ninguna unidad externa desatendida y con valores de fuego altos. La cocción puede causar humo o reboses de grasa que pueden prender fuego. Caliente el aceite a fuego lento o medio.
- b) Encienda siempre la campana cuando cocine a una temperatura alta o cuando realice flameados (Por ejemplo, crepes Suzette, cerezas flameadas, ternera a la pimienta flameada).
- c) Limpie con frecuencia los ventiladores. No permita que la grasa se acumule en el ventilador o filtro.
- d) Utilice un tamaño de sartén adecuado. Utilice siempre piezas de batería de cocina adecuadas al tamaño del elemento de superficie.

ADVERTENCIA

PARA REDUCIR EL RIESGO DE LESIONES PERSONALES, EN CASO DE FUEGO OCASIONADO POR GRASA, TENGA EN CUENTA LO SIGUIENTE:

- a) EXTINGA LAS LLAMAS con una tapa ajustada, una lámina para hacer galletas u otro tipo de bandeja metálica y apague el quemador de gas o elemento eléctrico. TENGA CUIDADO PARA EVITAR QUEMADURAS. Si las llamas no se extinguen inmediatamente, DESALOJE EL LUGAR Y LLAME A LOS BOMBEROS.
- b) NUNCA TOME UNA SARTÉN EN LLAMAS, podría sufrir quemaduras.
- c) NO UTILICE AGUA, incluidas bayetas o toallas húmedas ya que se produciría una violenta explosión de vapor.
- d) Utilice un extintor SÓLO si:
 - 1) Sabe que dispone de un extintor de la clase ABC y conoce su funcionamiento.
 - 2) El fuego es pequeño y se encuentra en la misma zona donde se inició.
 - 3) Ha llamado a los bomberos.
 - 4) Puede luchar contra el fuego teniendo una salida a su espalda.

FUNCIONAMIENTO

- a. Coloque siempre las rejillas y los filtros de seguridad en su lugar correspondiente. Sin estos componentes, los ventiladores en funcionamiento podrían atrapar su pelo, sus dedos o su ropa.

El fabricante declina toda responsabilidad en caso de fallo de cumplimiento de las instrucciones aquí facilitadas para la instalación, el mantenimiento y el uso adecuado del producto. El fabricante declina además toda responsabilidad por daños ocasionados por negligencia y la garantía de la unidad queda cancelada automáticamente como consecuencia de un mantenimiento incorrecto.

Requisitos eléctricos y de instalación

Requisitos eléctricos

IMPORTANTE

Cumpla todas las normativas y ordenanzas gubernamentales.

Es responsabilidad del cliente:

Ponerse en contacto con un instalador eléctrico cualificado. Asegurarse de que la instalación eléctrica es adecuada y en conformidad con National Electrical Code, ANSI/NFPA 70 (última edición*) o CSA Standards C22.1-94, Canadian Electrical Code, Parte 1 y C22.2 No.0-M91 (última edición*) y toda la normativa y las ordenanzas locales.

Si la normativa lo permite y se utiliza un cable de toma a tierra independiente, se recomienda que un electricista cualificado determine si la difracción de onda de tierra es la adecuada.

No ubique la toma a tierra en una tubería de gas. Si no está seguro de que la campana está correctamente conectada a tierra, consulte a un electricista cualificado. No coloque ningún fusible en el circuito neutral o con vuelta por tierra.

IMPORTANTE

Guarde las instrucciones de instalación para su uso por parte del inspector de electricidad.

La campana debe estar conectada únicamente con hilo de cobre.

La campana debe estar conectada directamente al desconectador con fusible (O disyuntor) mediante canal metálico de cables eléctricos.

Los tamaños de cable deben cumplir los requisitos de la National Electrical Code, ANSI/NFPA 70 (última edición*) o CSA Standards C22.1-94, Canadian Electrical Code, Parte 1 y C22.2 No.0-M91 (última edición*) y toda la normativa y las ordenanzas locales.

Es preciso colocar un conector de canal de cables enumerado en U.L. o C.S.A. en cada extremo del canal de cables de fuente de alimentación (En la campana y en la caja de conexiones).

Se pueden obtener copias de los estándares enumerados en:

* National Fire Protection Association Batterymarch Park Quincy, Massachusetts 02269

** CSA International 8501 East Pleasant Valley Road Cleveland, Ohio 44131-5575

Antes de instalar la campana

1. Para obtener una circulación del flujo de aire más eficaz, utilice un tubo de tramo recto o el menor número posible de tubos acodados.

PRECAUCIÓN: el conducto de ventilación solamente debe tener salida hacia la parte exterior del edificio.

2. Para realizar la instalación, se necesitan al menos dos personas.
3. La campana se ajusta mediante material adecuados para la mayoría de superficies; consulte a un instalador cualificado para comprobar si quedan perfectamente ajustados al armario o a la pared.
4. No emplee tubos flexibles.
5. Las instalaciones en **CONDICIONES CLIMÁTICAS FRÍAS** deben tener instalado un regulador de contratiro adicional para minimizar el flujo de aire inverso y una rotura térmica no metálica para minimizar la conducción de temperaturas externas como parte de los tubos. El regulador debe encontrarse en la parte de aire frío de la rotura térmica. La rotura debe estar lo más cerca posible al lugar donde los tubos entran en la parte caliente de la casa.
6. Aire limpio: Las normativas locales para edificios pueden requerir el uso de sistemas de aire limpio cuando se utilizan sistemas de ventilación mediante tubos superiores al CFM especificado de movimiento de aire. El CFM especificado varía de una zona a otra. Para conocer los requisitos específicos de su zona, consulte a un profesional de HVAC.

Lista de materiales

Piezas suministradas

Remoción de la confección

PRECAUCIÓN

Quite la caja cuidadosamente, use guantes para protegerse contra los bordes afilados.

ADVERTENCIA

Quite la película de protección que cubre el producto antes de ponerlo en funcionamiento.

- Ensemble de estructura de campana con extractor y transición.
- 4 Lámparas ya instaladas.
- 3 filtro anti-grasa
- 4 Cubiertas para el conducto.
- Bolsa de materiales de instalación con:
 - Plantilla para el montaje al techo
 - Guía de Uso, Cuidado e Instalación
 - Tornillos para madera (4 piezas - 3/16" x 1" 3/4)
 - Tornillos de ensamble (71 piezas)
 - Soportes para el cubre conducto
- 8 Soportes verticales.
- 2 Soportes de cubiertas de conductos superiores.
- 2 Soportes horizontales.
- 2 Adaptadores Torx.

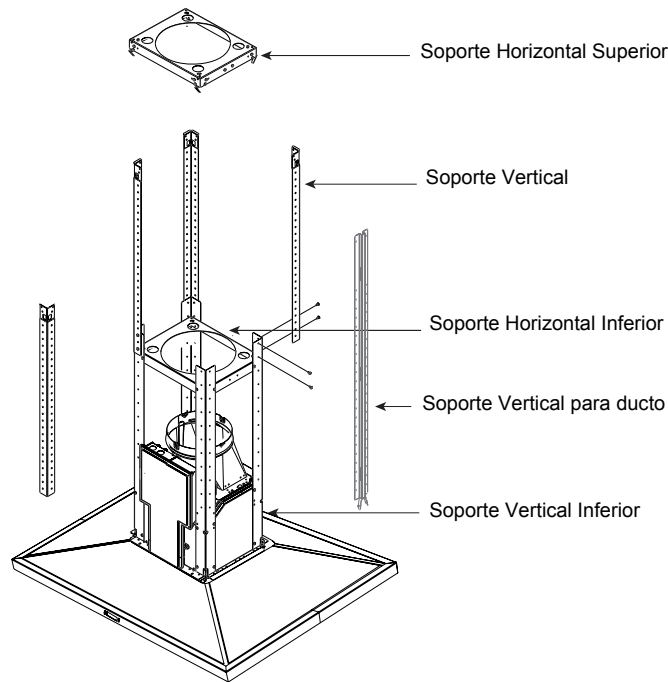
Piezas no suministradas

Accesorios Opcionales

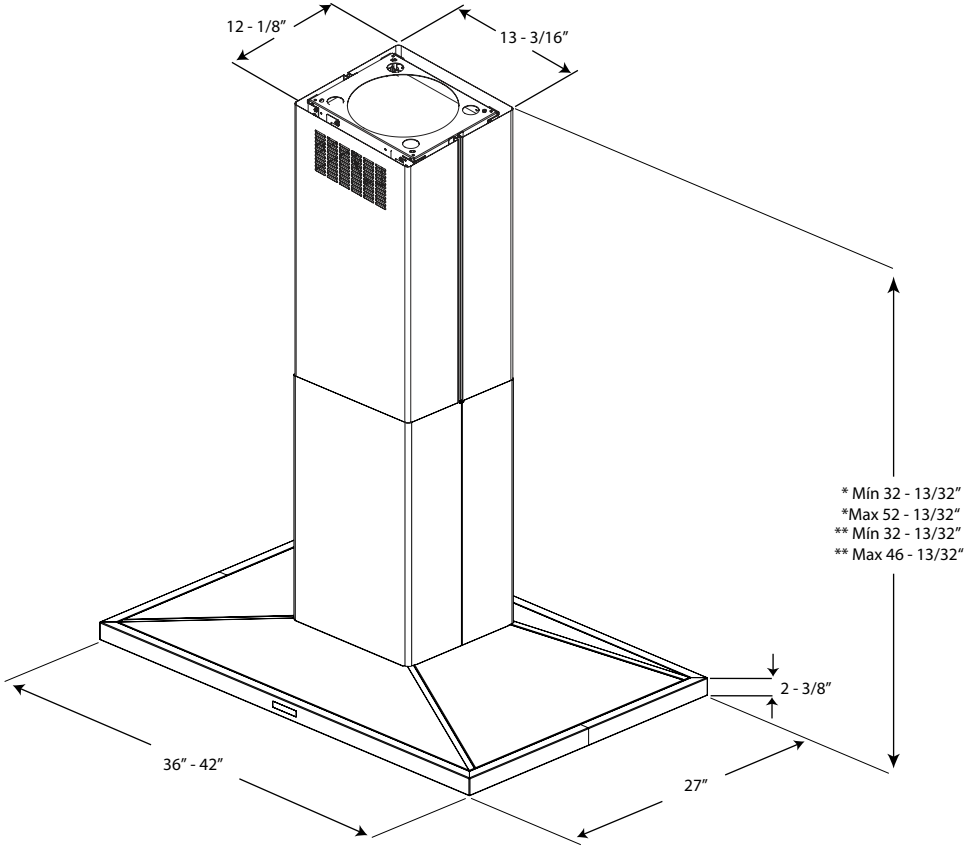
- Kit de conversión sin tubos
solamente se puede utilizar en la versión sin tubos (Recirculación)
incluye: filtro de carbón vegetal, soporte y abrazadera de sujeción de filtro de carbón vegetal, deflector

Herramientas/Materiales necesarias

- Tapones de cable
- Cinta para montar la plantilla
- Conducto redondo de 8".
- La longitud debe ser de acuerdo a la instalación
- Cinta Métrica
- Cutter
- Pinzas para cortar y pelar cable
- Nivel
- Alicates
- Cinta de aislar
- Lentes de seguridad
- Masking tape
- Martillo
- Destornilladores:
 - Phillips (Posidrive) # 2
- Tapones para cable
- Taladro con brocas: 5/16" y 3/8"
- Guantes de protección
- Retén de cable
- Caladora o Taladro



Dimensiones y Espacios libres



- Solo para versión sin tubos (Recirculación)

Tipos de ductos y ejemplos

Siga detenidamente las instrucciones expuestas en este manual.

Se declina toda responsabilidad de cualquier inconveniencia, daños o incendios eventuales ocasionados por el incumplimiento de las instrucciones de este manual.

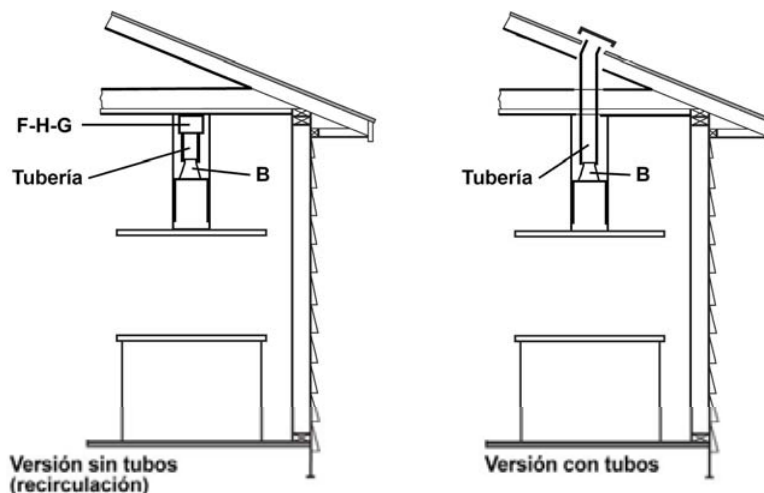
Métodos de ventilación

La campana está equipada con un salida de escape B para la descarga de gases al exterior (Versión con tubos).

En caso de que no sea posible la descarga de gases y del vapor procedentes de la cocina al exterior, la campana se puede utilizar en la versión sin tubos (Recirculación). Coloque un filtro de carbono activado y el deflector F en el soporte de sujeción de la cubierta de tubo G. Los gases y vapores se reciclan a través de la rejilla superior H mediante un conducto conectado al cambio de sección B y el cambio de sección montado en el deflector F.

NOTA: Sólo para versión sin tubos (Recirculación): adquiera el kit de conversión sin tubos.

Tamaño mínimo de tubo (Versión con o sin tubos): Tubería redonda de 8”.



Preparación

No corte una vigueta o un perno a menos que sea absolutamente necesario. Si fuera necesario efectuar el corte, deberá construirse un marco de soporte.

Se suministra el material de ajuste necesario para fijar la campana a la mayoría de tipos de muro o techo.

No obstante, un técnico cualificado debe comprobar la idoneidad de los materiales de acuerdo con el tipo de muro o techo.

Antes de efectuar algún corte, asegúrese que existe espacio libre adecuado en el techo o muro para la expulsión del aire.

La preferencia de la altura de instalación de la campana sobre la superficie de cocción es del usuario. Cuanto más cerca esté la campana de la estufa, mas eficaz resultará la captura de olores, grasa y humos.

PRECAUCION:

PARA TECHOS DE 8': INSTALE ESTA CAMPANA DE TAL MANERA QUE LA CORNISA INFERIOR SE ENCUENTRE A 27" (68,6 CM) SOBRE LA SUPERFICIE DE COCCION.

PARA TECHOS DE 9': INSTALE ESTA CAMPANA DE TAL MANERA QUE LA CORNISA INFERIOR SE ENCUENTRE A 30" (76,2 CM) SOBRE LA SUPERFICIE DE COCCION.

Antes de seleccionar la campana, compruebe la altura del techo y la altura máxima de la campana.

Instalación

Instalación - Versión con tubos

1. Cálculos previos a la instalación

K = Altura de cocina

C = Altura de encimera (estándar de 36")

P = Altura preferida de la parte inferior de la campana por encima de la encimera

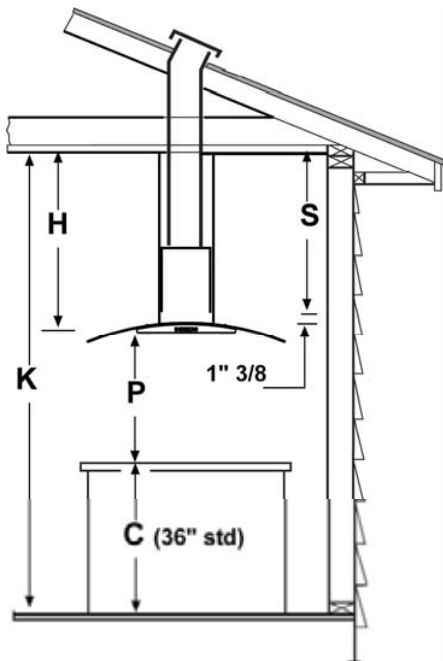
H = Altura de instalación de la campana

$H = K - C - P$

S = Altura de instalación de estructura de chimenea.

$S = H - 1'' \frac{3}{8}$

- Seleccione una preferencia de la altura de la campana **P** cómoda para el usuario.
- Calcule la altura de instalación de la campana ($H = K - CP$).
- Compruebe que el valor de **H** (altura) se encuentra dentro del valor máximo y mínimo de altura para su modelo (consulte el párrafo "Dimensiones y espacios libres"). De lo contrario, ajuste su instalación.
- Calcule la altura de la estructura de chimenea (**S**). Guarde este cálculo para utilizarlo más adelante en la instalación.

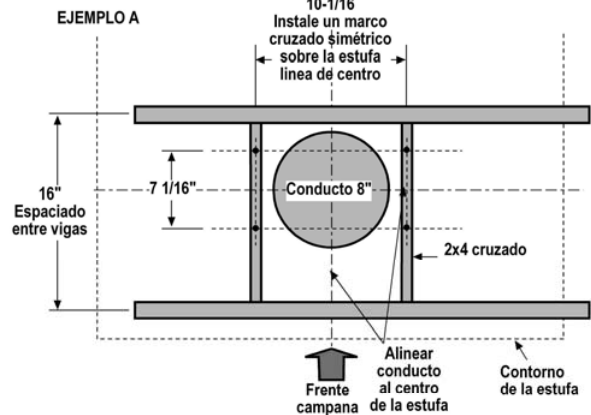
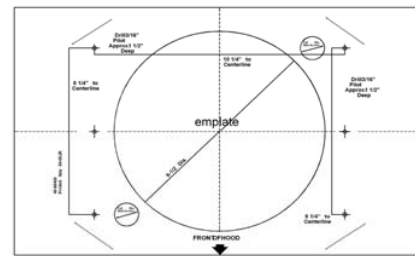


Estructuras desoporte al techo

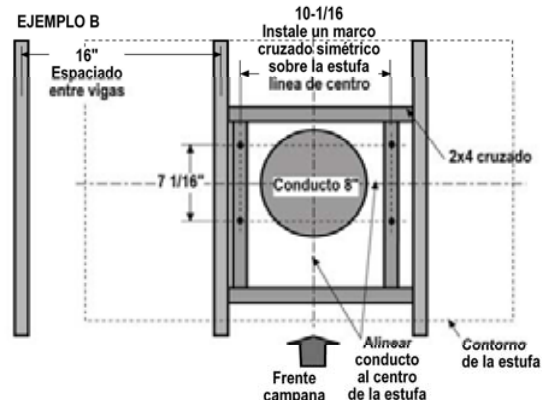
- Esta campana es pesada. Deberá contar con una estructura y soporte adecuado para cualquier tipo de instalación.
- En la posición de la campana, instale un marco transversal de 2"x 4" entre las viguetas del techo como se muestra. (Se necesitan de 2"x 4" para soportar el peso de la campana.)
- Inserte un armazón cruzado que se ajuste a la estructura existente.
- Las viguetas de su techo son como alguno de los siguientes ejemplos.

IMPORTANTE

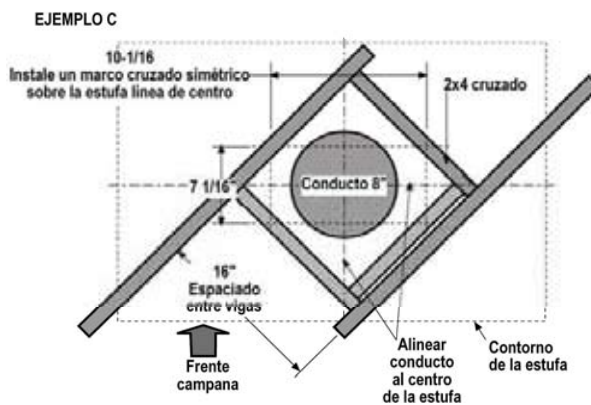
La estructura debe ser capaz de soportar 150lbs.



Vista superior – Las vigas del techo paralelas al frente de la estufa



Vista superior – Las vigas corren perpendiculares al frente de la estufa

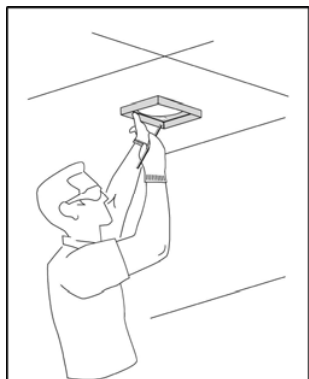


Vista superior – las vigas del techo en ángulo al frente de la estufa

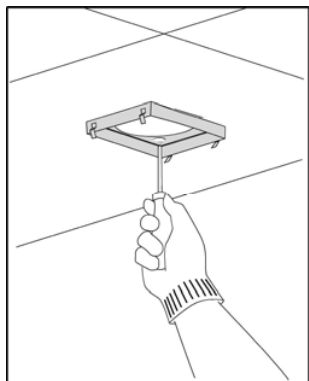
- Coloque la plantilla en el techo considerando las instrucciones para las estructuras de soporte. Siempre considere la leyenda del frente de la campana cuando coloque la plantilla en el techo. Esto define la ubicación del control.



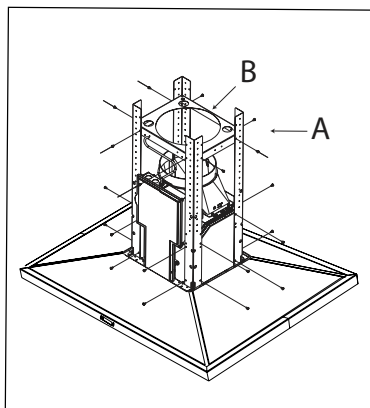
- Marque con un lápiz la ubicación de los orificios para los tornillos en el techo.



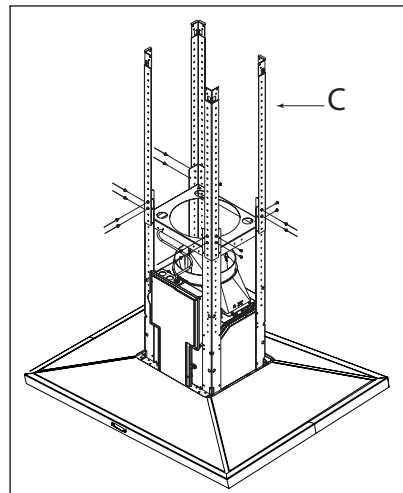
- Fije el soporte horizontal superior al techo con 4 tornillos para madera.



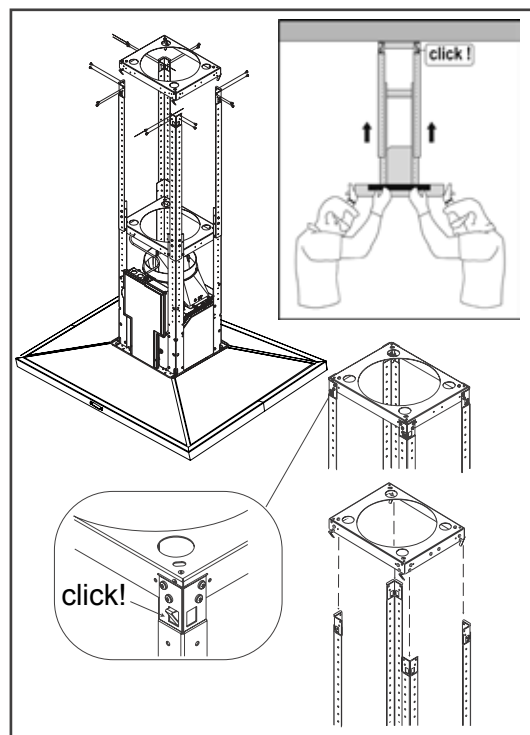
- Atornille los soportes verticales (inf) (A) a la campana con 16 tornillos. Luego atornille el sop. horizontal (B) con 8 tornillos (inf).



- Atornille un segundo juego de soportes verticales (sup) (C) con 16 tornillos para ajustar la distancia que desee al techo.

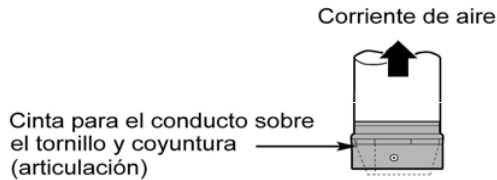


- Atornille el ensamble al soporte fijado al techo. Asegure con tornillos (16).

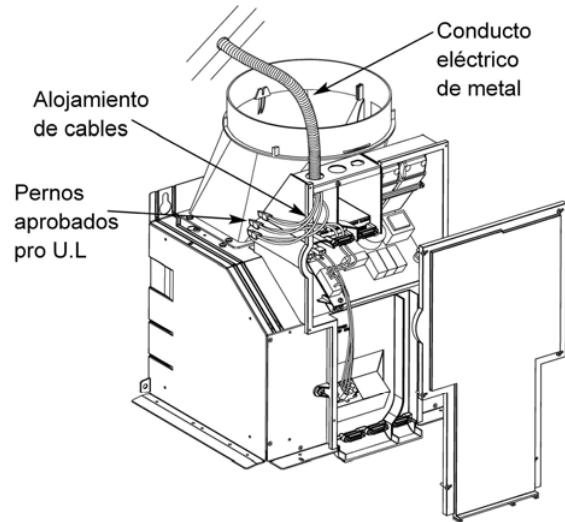


Conectar el conducto

- Instale el conducto, haciendo conexiones en la dirección de la corriente de aire así como está ilustrado en el siguiente dibujo.
- Empuje el conducto encima de la salida de escape.
- Selle hermeticamente todas las coyunturas (articulaciones) de los conductos y las abrazaderas de conexión con cinta para conductos.
- Realice la misma operación para la salida de aire de pared o de techo.



- Si no ha sido ya hecho, instalar el conducto conector de 1/2" a la caja de conexiones.



Conexión eléctrica

ADVERTENCIA

Peligro de descarga eléctrica

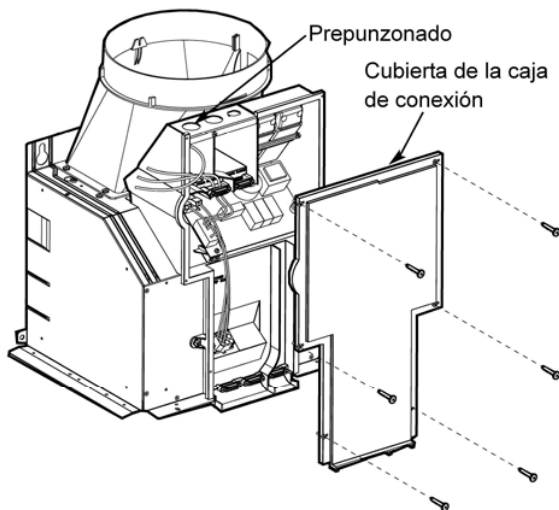
Advertencia: antes de realizar el cableado de este aparato, desactive el circuito de energía eléctrica en el panel de servicio.

Se requiere un circuito 120 VAC, 15 ó 20 A.

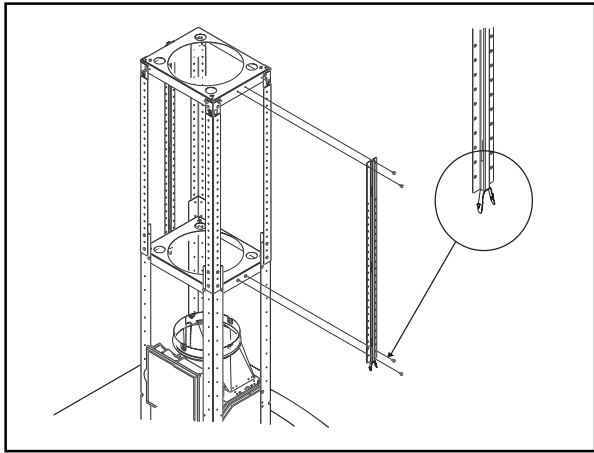
INSTRUCCIONES DE TOMA ELÉCTRICA
ESTE APARATO DISPONE DE UNA CAJA DE CONEXIONES ELÉCTRICAS CON 3 CABLES, UNO DE LOS CUALES (VERDE Y AMARILLO) SIRVE COMO TOMA DE TIERRA PARA EL APARATO PARA PROTEGERSE DE DESCARGAS ELÉCTRICAS, EL CABLE VERDE Y AMARILLO DEBE ESTAR CONECTADO AL CABLE DE TOMA A TIERRA DE SU SISTEMA DOMÉSTICO DE ELECTRICIDAD Y BAJO NINGUNA CIRCUNSTANCIA DEBE CORTARSE O ELIMINARSE.

De lo contrario, podría tener como resultado una descarga eléctrica o la muerte.

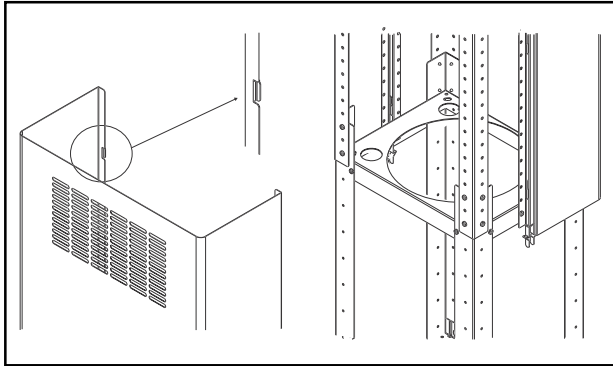
Situándose delante de la parte frontal de la campana extractora, retire el pestillo extraíble izquierdo y la tapa de la caja de conexiones e instale el conector de canal de cables (Enumerado en cULUS) en la caja de conexiones.



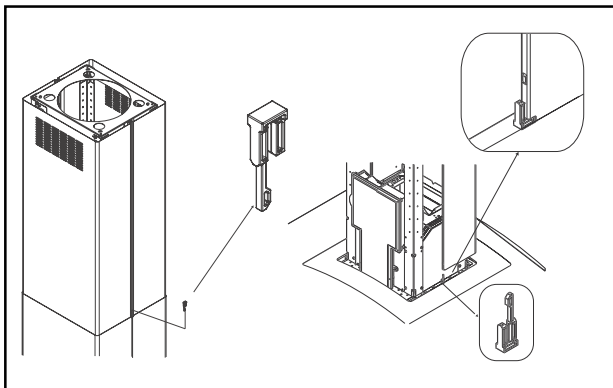
- Atornille la cubierta del conducto con 4 tornillos.



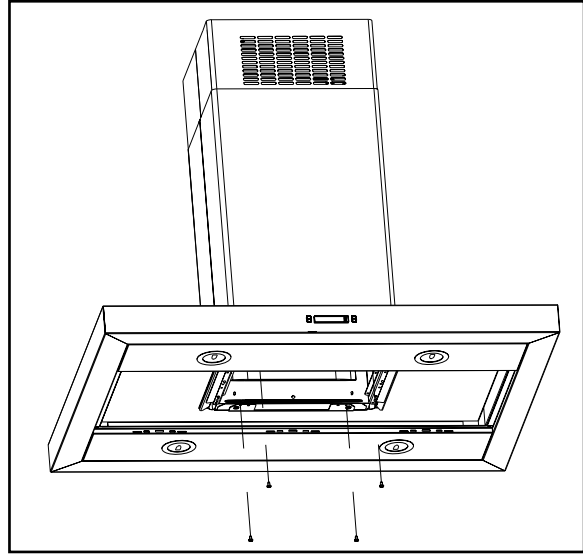
- Coloque las cubiertas (sup) del conducto hasta escuchar un "click". Luego verifique.



- Coloque las cubiertas del con-ducto (inf) usando un soporte plástico en cada esquina (4).



- Las cubiertas del conducto (inf) deberán asegurarse a la campana con 4 tornillos.



Instale el filtro de grasa y restablezca el suministro eléctrico en el panel de servicio. Revise el funcionamiento de la campana.

Si la campana extractora no funciona:

- Compruebe si el interruptor está desconectado o se han fundido los fusibles.
- Desconecte el suministro eléctrico. Compruebe si el cableado es correcto.

Para conseguir el funcionamiento más eficaz de la nueva campana extractora, lea la sección "Uso y mantenimiento".

Para disponer de una referencia sencilla, siga las Instrucciones de instalación y la Guía de uso y mantenimiento.

Instalación -Versión sin tubos (Recirculación)

IMPORTANTE

El Kit Recirculante se vende por separado.
Para comprar, por favor marque el siguiente número gratuito 1-888-732-8018 y solicite el KIT02198 para campanas isla.

1. Cálculos previos a la instalación

K = Altura de cocina

C = Altura de encimera (estándar de 36")

P = Altura preferida de la parte inferior de la campana por encima de la encimera

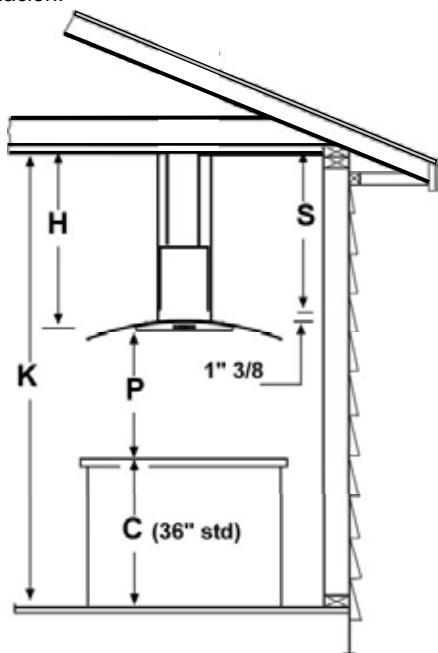
H = Altura de instalación de la campana

$H = K - C - P$

S = Altura de instalación de estructura de chimenea.

$S = H - 1\frac{3}{8}$

- Seleccione una preferencia de la altura de la campana P cómoda para el usuario.
- Calcule la altura de instalación de la campana ($H = K - CP$).
- Compruebe que el valor de H (altura) se encuentra dentro del valor máximo y mínimo de altura para su modelo (consulte el párrafo "Dimensiones y espacios libres"). De lo contrario, ajuste su instalación.
- Calcule la altura de la estructura de chimenea (S). Guarde este cálculo para utilizarlo más adelante en la instalación.

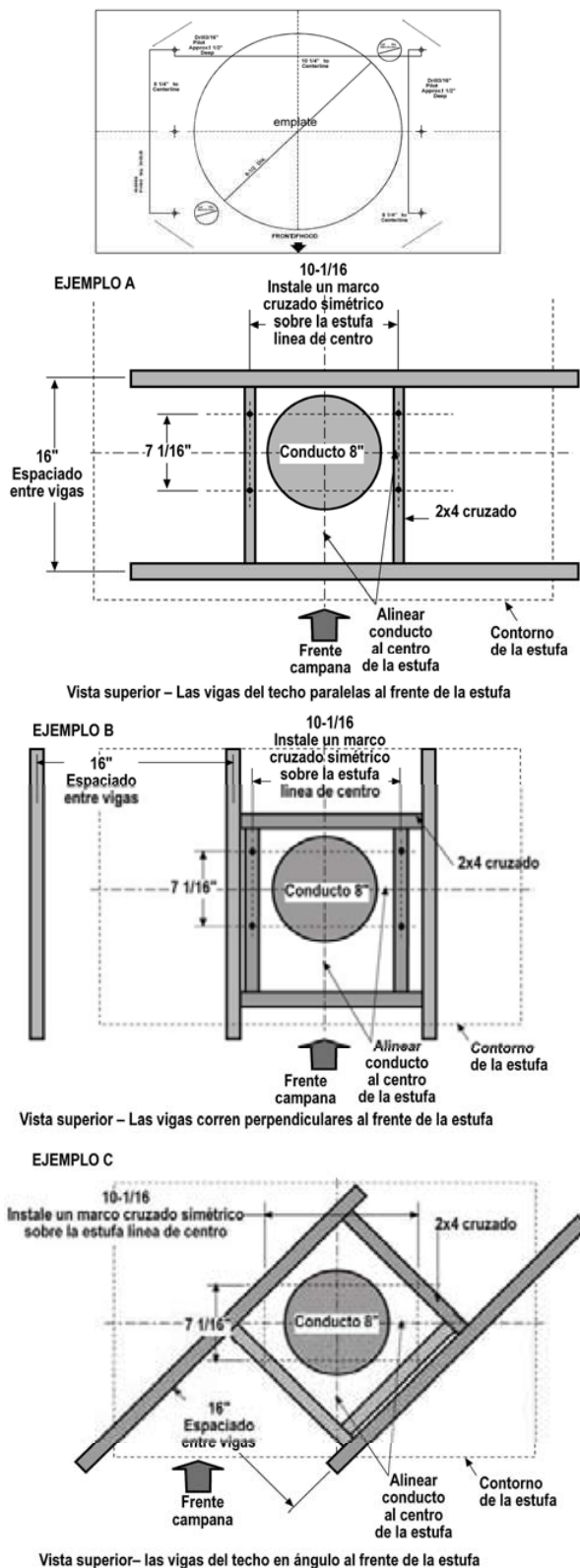


Estructuras desoporte al techo

- Esta campana es pesada. Deberá contar con una estructura y soporte adecuado para cualquier tipo de instalación.
- En la posición de la campana, in-stale un marco transversal de 2"x 4" entre las viguetas del techo como se muestra. (Se necesitan de 2"x 4" para soportar el peso de la campana.)
- Inserte un armazón cruzado que se ajuste a la estructura existente.
- Las viguetas de su techo son como alguno de los siguientes ejemplos.

IMPORTANTE

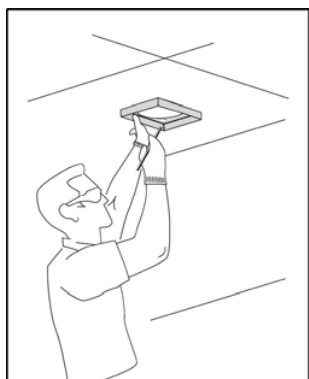
La estructura debe ser capaz de soportar 150lbs.



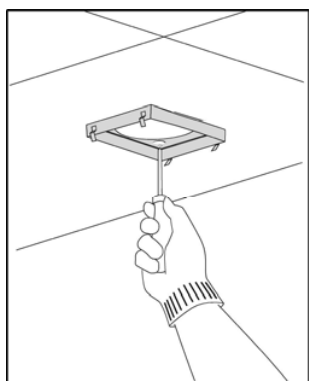
- Coloque la plantilla en el techo considerando las instrucciones para las estructuras de soporte. Siempre considere la leyenda del frente de la campana cuando coloque la plantilla en el techo. Esto define la ubicación del control.



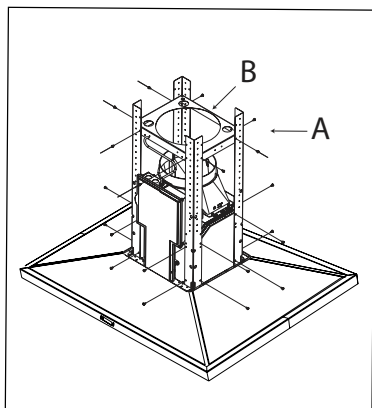
- Marque con un lápiz la ubicación de los orificios para los tornillos en el techo.



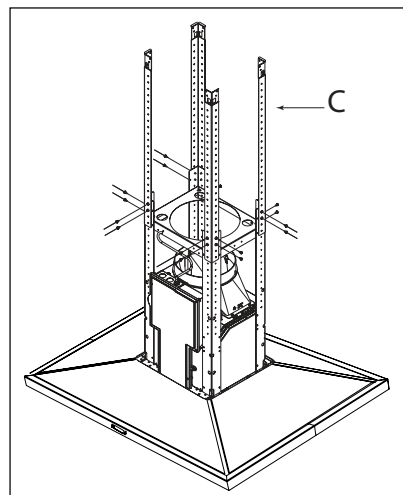
- Fije el soporte horizontal superior al techo con 4 tornillos para madera.



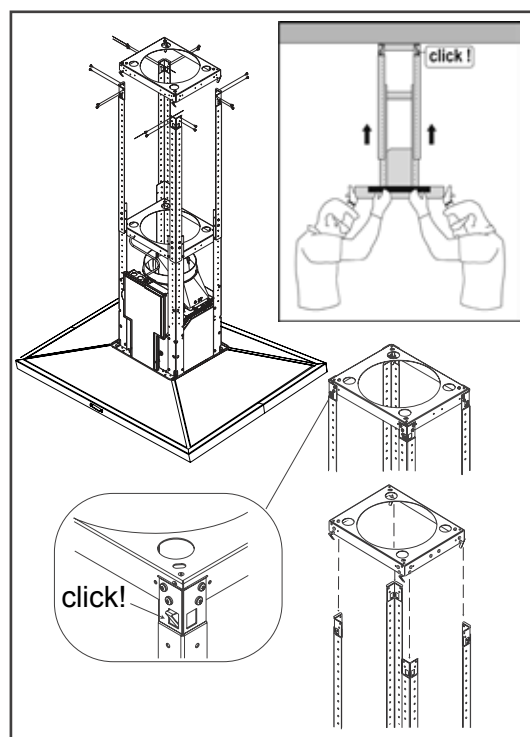
- Atornille los soportes verticales (inf) (A) a la campana con 16 tornillos. Luego atornille el sop. horizontal (B) con 8 tornillos (inf).



- Atornille un segundo juego de soportes verticales (sup) (C) con 16 tornillos para ajustar la distancia que desee al techo.

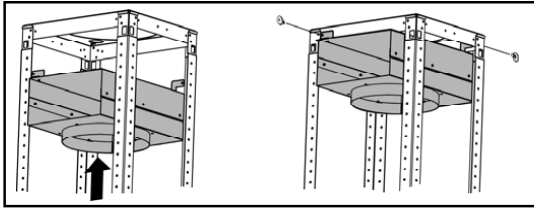


- Atornille el ensamble al soporte fijado al techo. Asegure con tornillos (16).

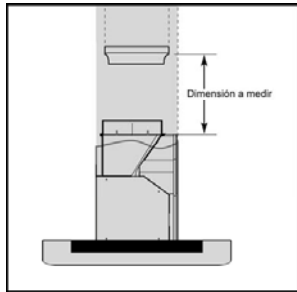


Instalación deflector

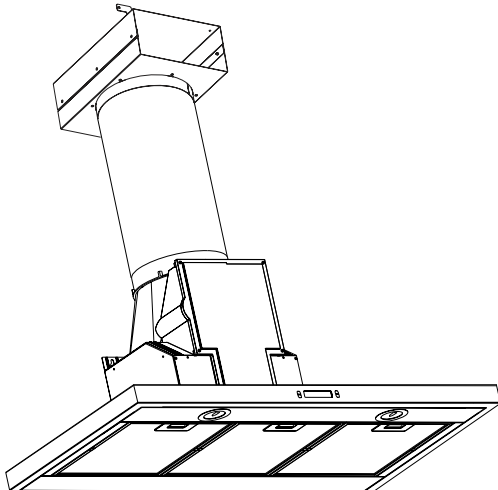
- Monte el deflector de aire con le soporte horizontal superior con 2 tornillos de montaje provistos.



- Mida desde la parte inferior del deflector de aire hasta la parte inferior del escape de la campana, así como mostrado.



- Corte el conducto según el tamaño medido
- Coloque la cubierta del conducto, por encima de la salida de escape desde la campana.
- Use la cinta para conductos, para sellar el colector a la salida de escape desde la campana.



Conexión eléctrica

ADVERTENCIA

Peligro de descarga eléctrica

Advertencia: antes de realizar el cableado de este aparato, desactive el circuito de energía eléctrica en el panel de servicio.

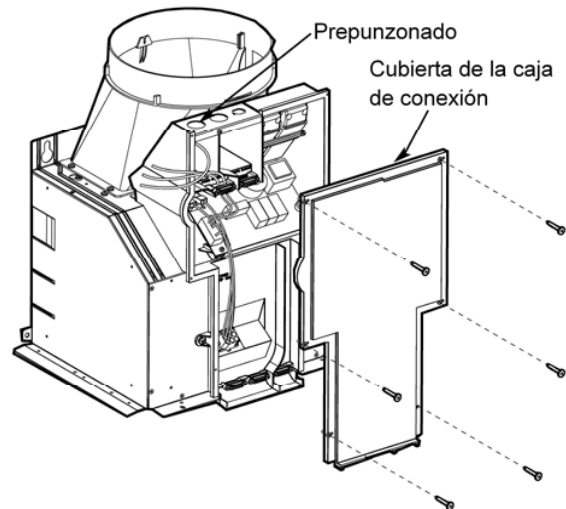
Se requiere un circuito 120 VAC, 15 ó 20 A.

INSTRUCCIONES DE TOMA ELÉCTRICA

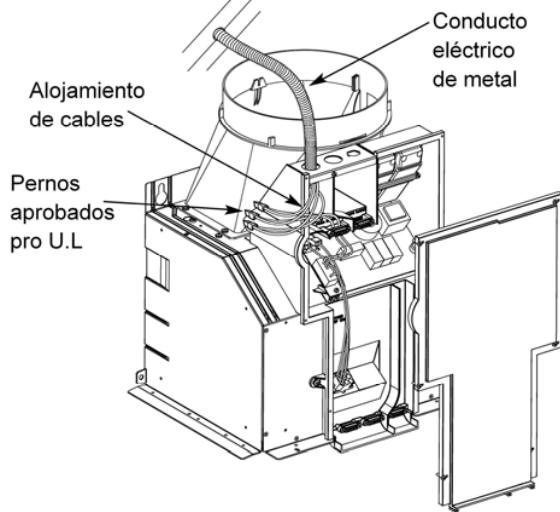
ESTE APARATO DISPONE DE UNA CAJA DE CONEXIONES ELÉCTRICAS CON 3 CABLES, UNO DE LOS CUALES (VERDE Y AMARILLO) SIRVE COMO TOMA DE TIERRA PARA EL APARATO PARA PROTEGERSE DE DESCARGAS ELÉCTRICAS, EL CABLE VERDE Y AMARILLO DEBE ESTAR CONECTADO AL CABLE DE TOMA A TIERRA DE SU SISTEMA DOMÉSTICO DE ELECTRICIDAD Y BAJO NINGUNA CIRCUNSTANCIA DEBE CORTARSE O ELIMINARSE.

De lo contrario, podría tener como resultado una descarga eléctrica o la muerte.

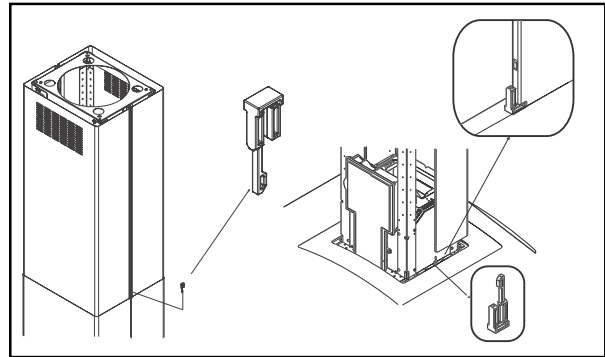
Situándose delante de la parte frontal de la campana extractora, retire el pestillo extraíble izquierdo y la tapa de la caja de conexiones e instale el conector de canal de cables (Enumerado en cULUS) en la caja de conexiones.



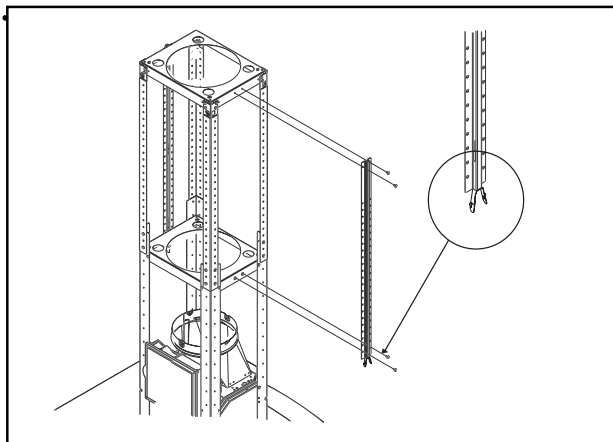
- Si no ha sido ya hecho, instalar el conducto conector de 1/2" a la caja de conexiones.



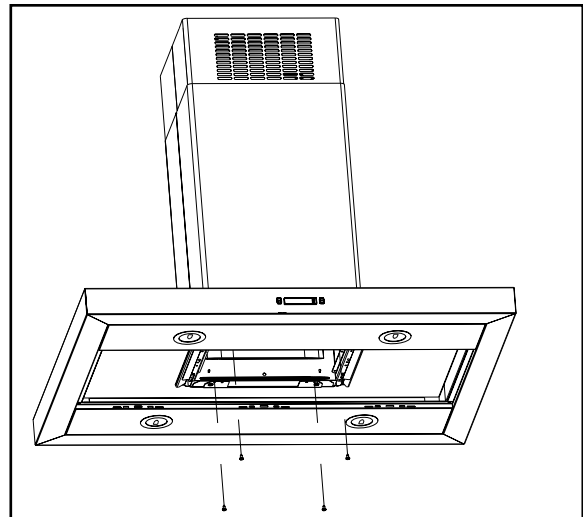
- Coloque las cubiertas del con-ducto (inf) usando un soporte plástico en cada esquina (4).



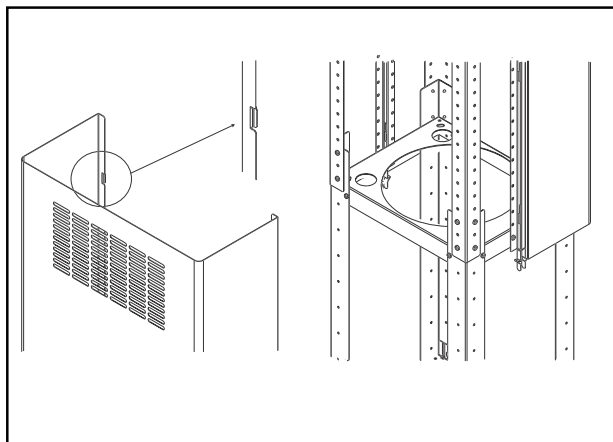
- Atornille la cubierta del conducto con 4 tornillos.



- Las cubiertas del conducto (inf) deberán asegurarse a la campana con 4 tornillos.



- Coloque las cubiertas (sup) del conducto hasta escuchar un "click". Luego verifique.



Instale el filtro de grasa y restablezca el suministro eléctrico en el panel de servicio. Revise el funcionamiento de la campana.

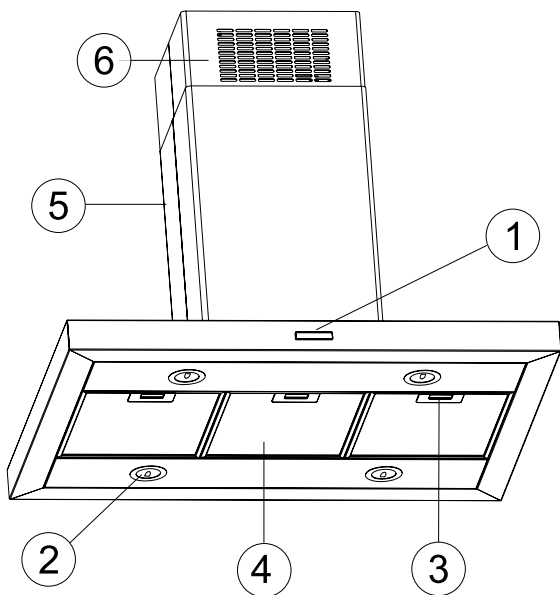
Si la campana extractora no funciona:

- Compruebe si el interruptor está desconectado o se han fundido los fusibles.
- Desconecte el suministro eléctrico. Compruebe si el cableado es correcto.

Para conseguir el funcionamiento más eficaz de la nueva campana extractora, lea la sección "Uso y mantenimiento".

Para disponer de una referencia sencilla, siga las Instrucciones de instalación y la Guía de uso y mantenimiento.

Descripción de la campana y los controles



1. Panel de control
2. Cubierta de la lámpara
3. Manija para liberación filtro de grasa
4. Filtro de grasa
5. Cubierta del conducto
6. Rejilla de cubierta del conducto superior (Visibles solo para la versión de Recirculación)
- 7.

Controles

Usar la potencia de aspiración mayor en caso de particular concentración de vapores de cocina. Aconsejamos de encender la aspiración 5 minutos antes de iniciar a cocinar y dejarla en función por otros 15 minutos aproximadamente.

Nota: La campana retiene la última velocidad utilizada cuando el switch de aspiración se apaga.

Descripción del panel de control



1. Tecla Luz

- Pulsar la tecla para encender la luz “alta intensidad” (estado anterior luz OFF).
- Pulsar la tecla para encender la luz “baja intensidad” (estado anterior luz ON).
- Pulsar la tecla para apagar la luz (estado anterior luz ON).

2. Tecla Temporizador

- El tiempo ajustado de default es 10 minutos y puede ser ajustado entre 60 minutos y 1 minuto.
- Después de pulsar la tecla, el sistema entra en la modalidad de ajuste y el usuario puede ajustar el tiempo de la cuenta regresiva del temporizador utilizando las teclas “+” y “-” en un plazo de 5 segundos.
- Si no se lleva a cabo ningún ajuste en estos 5 segundos que siguen a la selección de la función “Timer” o al ajuste del tiempo, inicia la cuenta regresiva.
- Durante el setup del “Timer” las teclas “+” y “-” son dedicadas a la temporización y no varían la velocidad del motor.
- Una vez iniciado el conteo, este puede ser anulado pulsando la tecla “Temporizador”.

3. Pantalla

- Muestra el estado de la campana.
- Cuando la campana no es operativa el display será iluminado con baja intensidad. Pulsando cualquier tecla el display se iluminará con una intensidad alta.
- Cuando la campana es operativa el display será iluminado con alta intensidad. Si no se pulsa ninguna tecla por 1 minuto el display se vuelve a iluminar con intensidad baja.

4. “-” Tecla disminución velocidad / OFF

- Esta tecla es utilizada para reducir la velocidad del motor y para apagar la campana.
- El motor se apaga pulsando la tecla “-” si la campana se encuentra en la 1° velocidad.
- Si el motor se encuentra en la 2° velocidad y se pulsa la tecla “-”, el motor pasa en la 1° velocidad.
- Si el motor se encuentra en la 3° velocidad y se pulsa la tecla “-”, el motor pasa en la 2° velocidad.
- Si el motor se encuentra en la 4° velocidad y se pulsa la tecla “-”, el motor pasa en la 3° velocidad.
- Si el motor está apagado y se pulsa la tecla “-”, se ilumina la pantalla.

5. “+” Tecla incremento velocidad / ON

- Esta tecla es utilizada para aumentar la velocidad del motor y para encender la campana.
- El motor se enciende pulsando la tecla “+” si la campana se encuentra en el estado OFF.
- Si el motor se encuentra en la 1° velocidad y se pulsa la tecla “+”, el motor pasa en la 2° velocidad.
- Si el motor se encuentra en la 2° velocidad y se pulsa la tecla “+”, el motor pasa en la 3° velocidad.
- Si el motor se encuentra en la 3° velocidad y se pulsa la tecla “+”, el motor pasa en la 4° velocidad.
- Si el motor se encuentra en la 4° velocidad y se pulsa la tecla “+”, se emite un “beep”.

Programación Reloj

- El reloj puede ser ajustado en cualquier momento a excepción de cuando está activa la función temporizador.
- El reloj puede ser visualizado en el formato de 12 horas con un tiempo de visualización entre 1:00 y 12:59.
- El reloj puede ser visualizado pulsando la tecla “Timer” por 3 segundos, actuando sucesivamente sobre las teclas “+” y “-” para ajustar la hora.
- El usuario puede aumentar/disminuir la hora con step de 1 minuto, pero si se pulsan las teclas “+”/“-” por 1 segundo el aumento/disminución acontece con step de 5 minutos. Durante dicha operación el control redondea a los 5 minutos más cercanos.
- El usuario puede terminar la fase de ajuste de la hora pulsando la tecla “Timer”.
- Después de 1 minuto que no se pulsa ninguna tecla, el control acepta el valor ajustado y añade 1 minuto al mismo e inicia a contar.

Señal saturación de Filtro Grasa (Opcional)

- Después de 40 horas de funcionamiento del motor, en la pantalla aparece la indicación “Grease Filter” si el motor está activo. Cuando aparece esta señal en la pantalla, el filtro instalado necesita ser lavado.
- Para reiniciar la señal de filtro de grasa, el usuario debe pulsar la tecla “+” por 5 segundos, después de esta acción, la señal “Grease Filter” desaparece y la pantalla muestra el estado del funcionamiento.

Señal saturación Filtro de Carbón (Opcional)

- Después de 120 horas de funcionamiento del motor, en la pantalla aparece la señal “Charcoal Filter” si el motor está activo. Cuando esta señal aparece en la pantalla el filtro carbón instalado debe ser cambiado o reactivado.
- Para reiniciar la señal de filtro grasas, el usuario debe pulsar la tecla “-” por 5 segundos, después de esta acción, la señal “Charcoal Filter” desaparece y la pantalla muestra el estado del funcionamiento.

Activación/Desactivación señal acústica

- Las señales acústicas pueden ser activadas o desactivadas pulsando la tecla “Luz” por 5 segundos.
- Si la señal acústica está activada, debe ser emitido un sonido y el símbolo “Snd” debe aparecer en la pantalla por 3 segundos.
- Si la señal acústica está desactivada, el símbolo “Snd” debe aparecer en la pantalla por 3 segundos y no es emitido ningún sonido.

Activaci3n/Desactivaci3n se1al Filtro Carb3n (versi3n Filtrante)

- La activaci3n y la desactivaci3n de la se1al saturaci3n filtro carb3n puede ser ajustada pulsando simultaneamente por 5 segundos las teclas “-“ y “+” .
- La activaci3n o la desactivaci3n debe ser realizada con motor y l1mparas OFF.
- Cuando la se1al Filtro Carb3n est1 desactivada, se desactiva la alarma.

Sensor t3rmico

- La campana est1 equipada con un sensor de temperatura que activa el motor en 3^o velocidades, si la temperatura de la zona circundante es demasiado elevada (superior a 149^o F o 65^o C).
- Si el motor est1 en OFF o en 1^o velocidad, e interviene la alarma, el motor se coloca autom1ticamente en la 3^o velocidad y en la pantalla aparecer1 la se1al “CarE”.
- Durante este estado, el usuario puede aumentar solamente la velocidad del motor.
- Cuando la temperatura regresa bajo el limite de alarma, el motor regresa en la condici3n anterior a la alarma.

Mantenimiento

¡Atención! Antes de cualquier operación de limpieza o mantenimiento, retire la campana de la red eléctrica desconectando el enchufe o desconectando el interruptor general de la casa.

Limpieza

No aplique limpiadores directamente al control durante la limpieza de la campana.

La campana debe ser limpiada con frecuencia tanto externamente como internamente (con la misma frecuencia con la que se realiza el mantenimiento de los filtros de grasa). Para la limpieza, utilice un paño impregnado de detergente líquido neutro. No utilice productos que contengan abrasivos. **¡NO UTILICE ALCOHOL!**

ATENCIÓN: De no observarse las instrucciones dadas para limpiar el aparato y sustituir el filtro, puede producirse un incendio. El fabricante recomienda leerlas y respetarlas atentamente.

El fabricante no se hace responsable por los daños al motor o los incendios provocados en el aparato debido a intervenciones de mantenimiento incorrectas o al incumplimiento de las normas de seguridad proporcionadas.

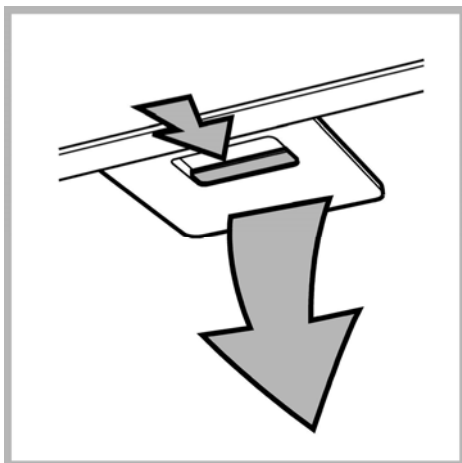
Filtro contra la grasa

Retiene las partículas de grasa producidas cuando se cocina.

Debe limpiarse una vez al mes con detergentes no agresivos, manualmente o bien en lavavajillas a bajas temperaturas y con ciclo breve.

Con el lavado en el lavavajilla el filtro antigrasa metálico puede desteñirse pero sus características de filtrado no cambian absolutamente.

Para desmontar el filtro antigrasa, tirar de la manija de desenganche de muelle.

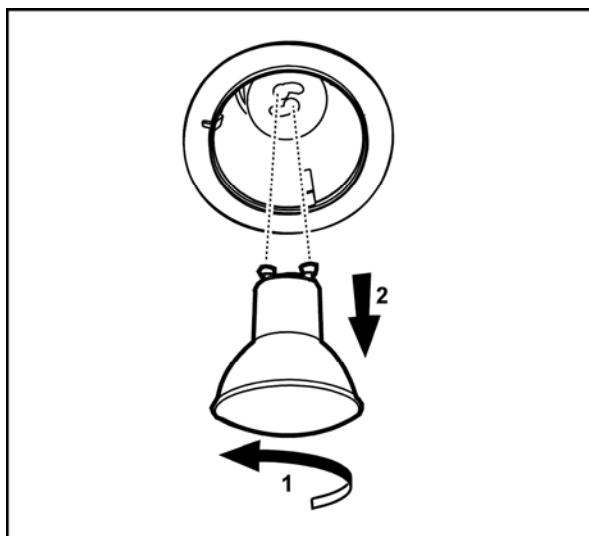


Sustitución de la bombilla

PRECAUCIÓN

Antes de reemplazar las lámparas, el interruptor debe estar apagado y bloquear el panel, para evitar que se pueda encender accidentalmente.

NOTA: Apagar las luces y el ventilador. Las luces deben enfriarse antes de volver a usarlas. Si las nuevas luces no funcionan, asegurarse que las luces estén insertadas correctamente antes de llamar el servicio de asistencia al cliente.



Reemplazar las Luces

- Quitar la luz dañada (girar el contador hacia el sentido de las agujas del reloj) y reemplazar con una nueva luz halógena de 120 V, 50, (máximo) 50° para una base de GU10, apropiado para el uso en luminarias abiertas.

Filtros de Carbón

Si el modelo no tiene una salida hacia el exterior, el aire, recirculará a través de los filtros de carbón vegetal disponibles, que ayudan a quitar humos y olores. Los filtros de carbón se sujetan al marco de la cubierta del motor.

NOTA: Los filtros de carbón vegetal no son incluidos con la campana.

Deben ser pedidos al proveedor.

Pedir el equipo necesario específico para el modelo de la campana y respetar el tamaño de la anchura.

Limpieza / Reemplazo del filtro de Carbón.

A diferencia de otros filtros, el filtro de carbón de LARGA DURACION puede ser limpiado y reactivado.

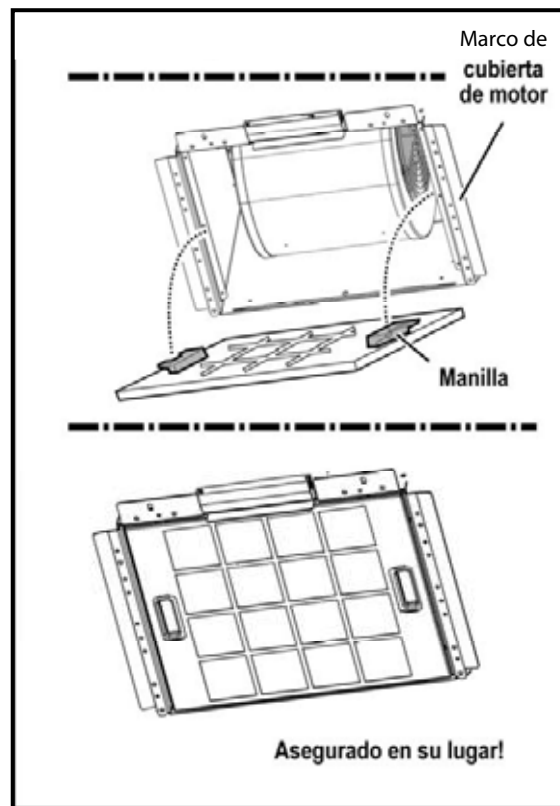
Con un uso normal, el filtro debe ser limpiado cada segundo mes (al usar la campana en un promedio de 2.5 horas diarias).

La mejor forma de limpiar el filtro es en el lavavajillas. Use detergente normal y seleccione la temperatura mas alta (65° C o 149° F).

Lave el filtro independientemente para evitar que rastros de comida se atoren en el filtro y de esa forma no se generen malos olores posteriormente.

Para reactivar el carbón, se debe secar el filtro en un horno durante 10 minutos a una temperatura máxima de 100° C o 212° F.

Después de aproximadamente 1 año de uso, el filtro de carbón deberá reemplazarse por uno nuevo, ya que la capacidad de reducción de olores ya será muy baja.



Garantía

ELICA North America

GARANTIA LIMITADA A DOS AÑOS

PARA OBTENER SERVICIO DENTRO DE GARANTIA.

El propietario debe presentar su recibo original de la compra. Guarde por favor una copia de su recibo de compra como prueba, para recibir el servicio dentro del periodo de garantía.

PARTES Y GARANTIA DE SERVICIO.

Por el periodo de (2) dos años desde la fecha original de la compra, Elica proveerá, gratuitamente, partes no-consumibles o componentes que hayan fallado debido a defectos de fabricación. Durante estos (2) años de garantía limitada, Elica también proveerá gratuitamente, todo el servicio en casa y mano de obra necesaria para reemplazar cualquier parte defectuosa.

QUE NO ESTA CUBIERTO

- Daños o fallas del producto causados por accidente o actos de Dios, tales como inundaciones incendios o terremotos.
- Daños o fallas causadas por alteración del producto o por el uso de partes no-originales.
- Daños o fallas del producto causados durante la entrega, manejo o instalación.
- Daños o fallas del producto causados por abuso del usuario.
- Daños o fallas del producto causados por reemplazo de fusibles dañados o reseteo de interruptor de circuito.
- Daño o fallas causados por el uso del producto en un ambiente comercial (no domestico).
- Service trips to dwelling to provide use or installation guidance.
- Bombillas, filtros de carbón o metal y cualquier otra parte consumible.
- Desgaste normal.
- Desgaste terminal debido a abusos del usuario, mantenimiento inadecuado, uso de productos / toallas de limpieza corrosivos o abrasivos y por uso de limpiadores para hornos.

QUIEN ESTA CUBIERTO

Esta garantía se extiende al comprador original de productos adquiridos para uso residencial en Norte America (incluyendo Estados Unidos, Guam, Puerto Rico, Islas Vírgenes de USA y Canadá).

Esta garantía no es transferible y aplica solamente al comprador original y no se extiende a propietarios subsecuentes del producto. Esta garantía se expresa en lugar de otras garantías, expresadas o implicadas, incluyendo, pero no limitada a ninguna garantía implicada de comercialización o adaptada para propósitos particulares y cualquier otra obligación por parte de Elica North America, considerando, sin embargo, que si la negación de garantías implícitas es inefectiva bajo la ley aplicable, la duración de cualquier garantía implícita será limitada a dos (2) años desde la fecha original de compra o por el periodo necesario como sea requerido por la ley aplicable.

Esta garantía no cubre cualquier daño especial, incidental y/o consecuente, ni pérdidas de ganancias, sufridas por el comprador original, sus clientes y/o usuarios del producto.

A QUIEN CONTACTAR

Para obtener Servicio bajo Garantía o para cualquier pregunta relacionada a Servicio.

Favor de llamar:

- Servicio Autorizado de Elica North America al (888) 732-8018
O escribiendo a:
- Elica North America, Atención a Servicio a Clientes, 222 Merchandise Mart Plaza, Suite 947, Chicago, IL 60654 USA
infoamericas@elica.com

Printed in Mexico

LI3W2A Ed. 03/09