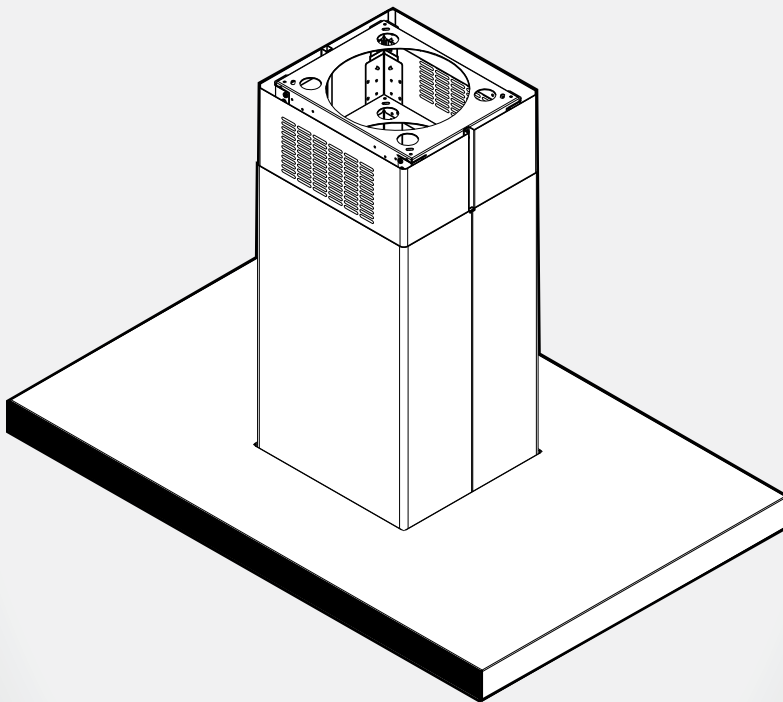


Use, Care, and Installation Guide

Guide
d'utilisation,
d'entretien et
d'installation

Guía de
instalación, uso y
mantenimiento



READ AND SAVE THESE
INSTRUCTIONS

LISEZ CES
INSTRUCTIONS ET
CONSERVEZ-LES

LEA Y CONSERVE
ESTAS INSTRUCCIONES

Models: | EMG636S1
EMG642S1

Contents

Important safety notice..... 4

 Electrical & installation requirements 5

 Before installing the hood 5

Dimensions and clearances..... 5

List of materials.....6

 Parts supplied6

 Parts not supplied6

Ducting options and examples..... 7

Installation 7

 Electrical connection..... 11

 Complete the installation..... 11

Description of the hood.....13

Control.....13

Maintenance 15

Warranty 16

**APPROVED FOR RESIDENTIAL APPLIANCES
FOR RESIDENTIAL USE ONLY
READ AND SAVE THESE INSTRUCTIONS**

**PLEASE READ ENTIRE INSTRUCTIONS BEFORE PROCEEDING.
INSTALLATION MUST COMPLY WITH ALL LOCAL CODES.**

IMPORTANT: Save these Instructions for the Local Electrical Inspector’s use.

INSTALLER: Please leave these Instructions with this unit for the owner.

OWNER: Please retain these instructions for future reference.

Safety Warning: Turn off power circuit at service panel and lock out panel, before wiring this appliance.

Requirement: 120 V AC, 60 Hz. 15 or 20 A Branch Circuit

I IMPORTANT SAFETY NOTICE

I CAUTION

FOR GENERAL VENTILATING USE ONLY. DO NOT USE TO EXHAUST HAZARDOUS OR EXPLOSIVE MATERIALS OR VAPOURS.

I WARNING

TO REDUCE THE RISK OF FIRE, ELECTRIC SHOCK, OR INJURY TO PERSONS, OBSERVE THE FOLLOWING:

- A. Use this unit only in the manner intended by the manufacturer. If you have questions, contact the manufacturer.
- B. Before servicing or cleaning the unit, switch power off at service panel and lock service panel disconnecting means to prevent power from being switched on accidentally.
When the service disconnecting means cannot be locked, securely fasten a prominent warning device, such as a tag, to the service panel.
- C. Installation work and electrical wiring must be done by qualified person(s) in accordance with all applicable codes & standards, including fire-rated construction.
- D. Sufficient air is needed for proper combustion and exhausting of gases through the flue (Chimney) of fuel burning equipment to prevent back-drafting.
Follow the heating equipment manufacturers guideline and safety standards such as those published by the national fire protection association (NFPA), the american society for heating, refrigeration and air conditioning engineers (ASHRAE), and the local code authorities.
- E. When cutting or drilling into wall or ceiling, do not damage electrical wiring and other hidden utilities.
- F. Ducted fans must always be vented to the outdoor.

I CAUTION

To reduce risk of fire and to properly exhaust air, be sure to duct air outside - do not vent exhaust air into spaces within walls, ceilings, attics, crawl spaces, or garages.

I WARNING

TO REDUCE THE RISK OF FIRE, USE ONLY METAL DUCT WORK.

Install this hood in accordance with all requirements specified.

I WARNING

To reduce the risk of fire or electric shock, do not use this hood with any external solid state speed control device.

I WARNING

TO REDUCE THE RISK OF A RANGE TOP GREASE FIRE.

- a) Never leave surface units unattended at high settings. Boilovers cause smoking and greasy spillovers that may ignite. Heat oils slowly on low or medium settings.
- b) Always turn hood ON when cooking at high heat or when flambeing food (I.e. Crepes Suzette, Cherries Jubilee, Peppercorn Beef Flambe').
- c) Clean ventilating fans frequently. Grease should not be allowed to accumulate on fan or filter.
- d) Use proper pan size. Always use cookware appropriate for the size of the surface element.

I WARNING

TO REDUCE THE RISK OF INJURY TO PERSONS, IN THE EVENT OF A RANGE TOP GREASE FIRE, OBSERVE THE FOLLOWING:^a

- a) SMOTHER FLAMES with a close-fitting lid, cookie sheet, or other metal tray, then turn off the gas burner or the electric element. BE CAREFUL TO PREVENT BURNS. If the flames do not go out immediately, EVACUATE AND CALL THE FIRE DEPARTMENT.
- b) NEVER PICK UP A FLAMING PAN - you may be burned.
- c) DO NOT USE WATER, including wet dishcloths or towels - a violent steam explosion will result.
- d) Use an extinguisher ONLY if:
 - 1) You know you have a class ABC extinguisher, and you already know how to operate it.
 - 2) The fire is small and contained in the area where it started.
 - 3) The fire department is being called.
 - 4) You can fight the fire with your back to an exit.

^aBased on "Kitchen Fire Safety Tips" published by NFPA.

OPERATION

Always leave safety grills and filters in place. Without these components, operating blowers could catch onto hair, fingers and loose clothing.

The manufacturer declines all responsibility in the event of failure to observe the instructions given here for installation, maintenance and suitable use of the product. The manufacturer further declines all responsibility for injury due to negligence and the warranty of the unit automatically expires due to improper maintenance.

I CAUTION

Automatically Operated Device - To reduce the risk of Injury disconnect from power supply before servicing.

ELECTRICAL & INSTALLATION REQUIREMENTS

IMPORTANT

Observe all governing codes and ordinances.

It is the customer's responsibility:

- To contact a qualified electrical installer.
- To assure that the electrical installation is adequate and in conformance with National Electrical Code, ANSI/NFPA 70 — latest edition*, or CSA Standards C22.1-94, Canadian Electrical Code, Part 1 and C22.2 No.0-M91-latest edition** and all local codes and ordinances.
- If codes permit and a separate ground wire is used, it is recommended that a qualified electrician determine that the ground path is adequate.
- Do not ground to a gas pipe.
- Check with a qualified electrician if you are not sure range hood is properly grounded.
- Do not have a fuse in the neutral or ground circuit.

IMPORTANT

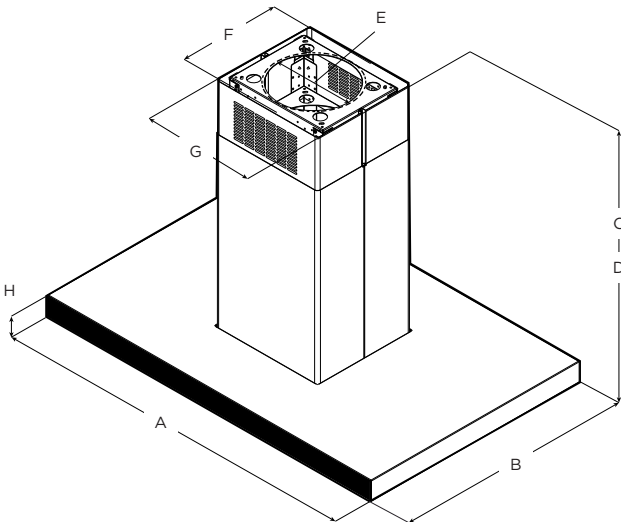
- Save Installation Instructions for electrical inspector's use.
- The range hood must be connected with copper wire only.
- The range hood should be connected directly to the fused disconnect (Or circuit breaker) box through metal electrical conduit.
- Wire sizes must conform to the requirements of the National Electrical Code ANSI/NFPA 70 — latest edition*, or CSA Standards C22.1-94, Canadian Electrical Code Part 1 and C22.2 No. 0-M91 - latest edition** and all local codes and ordinances.
- A U.L.- or C.S.A.-listed conduit connector must be provided at each end of the power supply conduit (at the range hood and at the junction box).

BEFORE INSTALLING THE HOOD

- 1 For the most efficient air flow exhaust, use a straight run or as few elbows as possible.
CAUTION: Vent unit to outside of building, only.
- 2 At least two people are necessary for installation.
- 3 Fittings material is provided to secure the hood to most types of walls/ceilings, consult a Qualified Installer, check if they perfectly fit with your cabinet/wall.
- 4 Do not use flex ducting.
- 5 COLD WEATHER installations should have an additional backdraft damper installed to minimize backward cold air flow and a nonmetallic thermal break to minimize conduction of outside temperatures as part of the ductwork. The damper should be on the cold air side of the thermal break.
The break should be as close as possible to where the ducting enters the heated portion of the house.
- 6 Make up air: Local building codes may require the use of Make-Up Air Systems when using Ducted Ventilation Systems greater than specified CFM of air movement. The specified CFM varies from locale to locale. Consult your HVAC professional for specific requirements in your area.

Copies of the standards listed may be obtained from:
* National Fire Protection Association Batterymarch Park Quincy, Massachusetts 02269
** CSA International 8501 East Pleasant Valley Road Cleveland, Ohio 44131-5575

DIMENSIONS AND CLEARANCES



	Models	
	EMG636S1	EMG642S1
A	36" (91.4 cm)	42" (106.7 cm)
B	27 $\frac{1}{8}$ " (68.9 cm)	
C*	Min: 29 $\frac{3}{16}$ " (75.7 cm) Max: 50 $\frac{1}{8}$ " (127.3 cm)	
D**	Min: 29 $\frac{3}{16}$ " (75.7 cm) Max: 44 $\frac{7}{8}$ " (114 cm)	
E	6" (15.9 cm)	
F	12" (30.4 cm)	
G	13" (33.24 cm)	
H	2 $\frac{3}{8}$ " (6 cm)	

* Ductless (Recirculating) version

** Ducted version

LIST OF MATERIALS

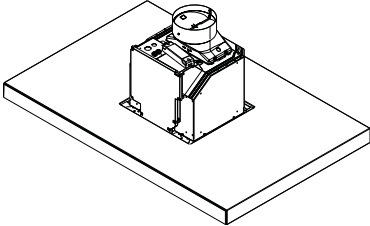
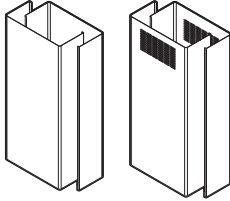

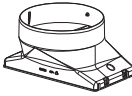



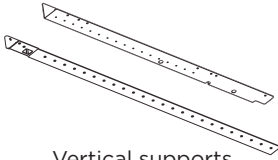

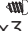



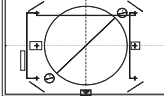
Removing the packaging.

I CAUTION

Remove carton carefully, Wear gloves to protect against sharp edges.

I WARNING

Remove the protective film covering the product before putting into operation.

Supplied Part	Pieces	Supplied Part	Pieces
 <p>Hood assembly with blower and LED lamps already installed</p>	1	 <p>Lower and upper duct covers</p>	Upper: 2 Lower: 2
 <p>5x45 mm</p>	4	 <p>6" round air transition</p>	1
 <p>4.2x8 mm</p>	60	 <p>Duct cover brackets</p>	4
 <p>3.5x9.5 mm</p>	2	 <p>Vertical supports</p>	Upper: 4 Lower: 4
 <p>3.5x6.5 mm</p>	4		
 <p>2.9x3 mm</p>	2		
 <p>Leveling screws</p>	2	 <p>Torx adapter</p>	#10: 1 #20: 1
 <p>8x40 mm</p>	4	 <p>Mounting template</p>	1

Parts no supplied

Tools/Materials required

- Wire nuts
- Tape to mount template
- 6" (15.2 cm) round metal duct length to suit installation
- Measuring tape
- Pliers
- Gloves
- Knife
- Safety glasses
- Electric drill with 5/16" and 3/8" bits
- Strain relief
- Spirit level
- Duct tape
- Screwdrivers:
 - Phillips (Posidrive) #2
 - TORX #10, #20
- Wire cutter/stripper
- Masking tape
- Hammer
- Saw, jig saw or reciprocating saw

Optional accessories and consumable parts

KIT	# Part
Recirculating Kit	KIT02665
Long Chimney Extension	KIT0100317
Charcoal Filter Replacement	KIT02667

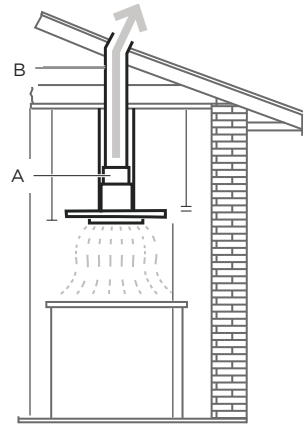
Ducting options

Closely follow the instructions set out in this manual.

All responsibility, for any eventual inconveniences, damages or fires caused by not complying with the instructions in this manual, is declined.

Ducting version

The hood is equipped with a 6" (15.2 cm) round transition for discharge of fumes to the outside.



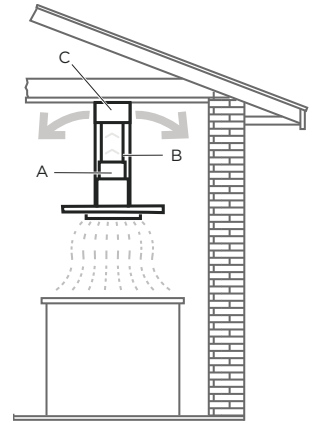
A. 6" round transition
B. 6" round duct

Ductless (Recirculating)

In cases where it should not be possible to discharge cooking fumes and vapour to the outside.

Attach a charcoal filter and the deflector on the duct cover support bracket. Fumes and vapours are recycled through the top grille by means of a duct connected to the transition and the transition mounted on the deflector.

See accessories section.



A. 6" round transition
B. 6" round duct
C. Air deflector

Preparation

Do not cut a joist or stud unless absolutely necessary. If a joist or stud must be cut, then a supporting frame must be constructed.

Fittings material is provided to secure the hood to most types of walls/ceilings.

However, a qualified technician must verify suitability of the materials in accordance with the type of wall/ceiling.

Before making cutouts, make sure there is proper clearance within the ceiling or wall for exhaust vent.

Recommended installation height:

Hood installation height above cooktop is the users preference. The lower the hood is above the cooktop, the more efficient the capturing of cooking odors, grease and smoke.

CAUTION

Mount this hood so that the bottom edge above the cooking surface is at 30" (76.2 cm) minimum if a gas range is used, or at 24" (61 cm) if an electric range is used.

There is no maximum mounting height, however, we recommend mounting the hood no greater than 36" above the cooking surface. For every inch (2.54 Cm) above 36", fume and moisture capture efficiency

Diminishes at an increasing rate and may not deliver an acceptable level of ventilating performance.

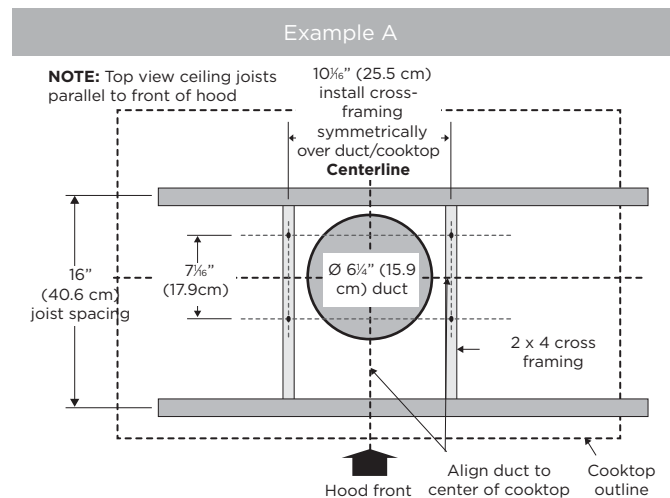
This hood is intended for household use.

Please read the installation manual for specific application. Check your ceiling height and hood height before selecting your hood.

Installation

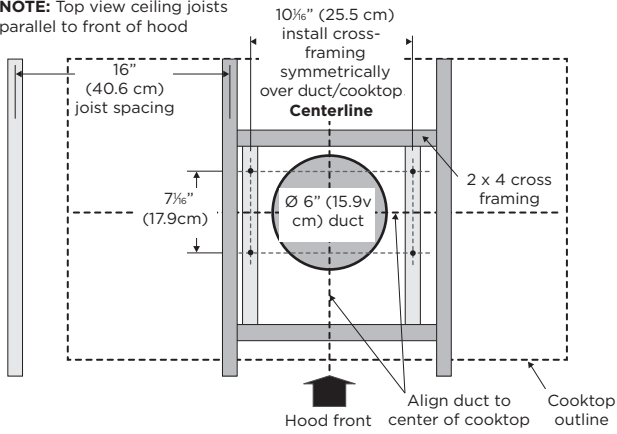
Ceiling support structures

- This vent hood is heavy. Adequate structure and support must be provided in all types of installations.
- At the hood location, install 2"x 4" cross framing between ceiling joists as shown (2"x 4" are required to support the weight of the hood).
- Arrange cross framing in the ceiling to suit the existing structure.
- Your ceiling joists will be like one of the following:



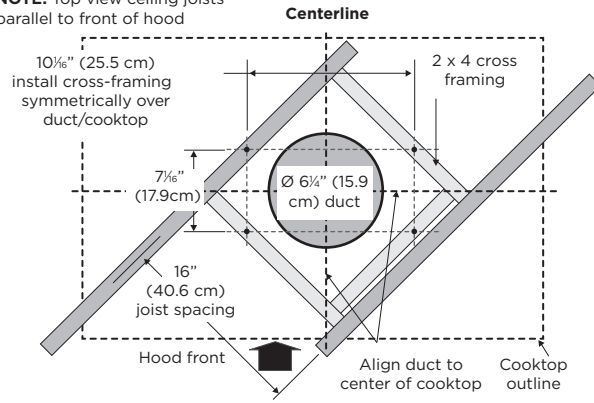
Example B

NOTE: Top view ceiling joists parallel to front of hood



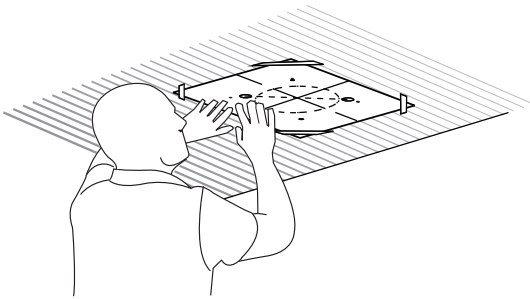
Example C

NOTE: Top view ceiling joists parallel to front of hood

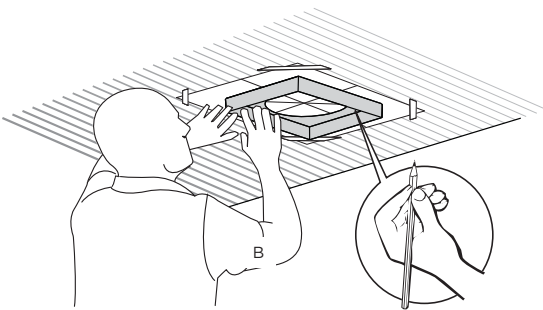


Install Range Hood

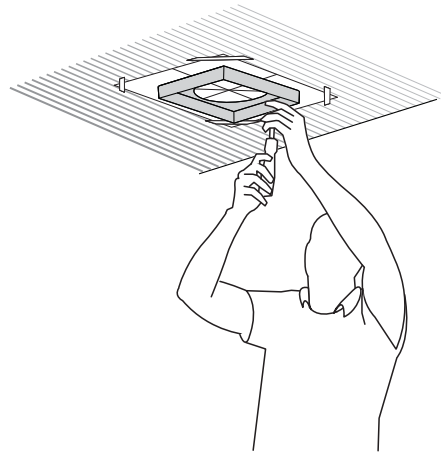
- Place the template in the ceiling considering the instructions for ceiling support structures.
NOTE: Always consider the front of hood legend when playing the template on the ceiling. It will define the control's location.



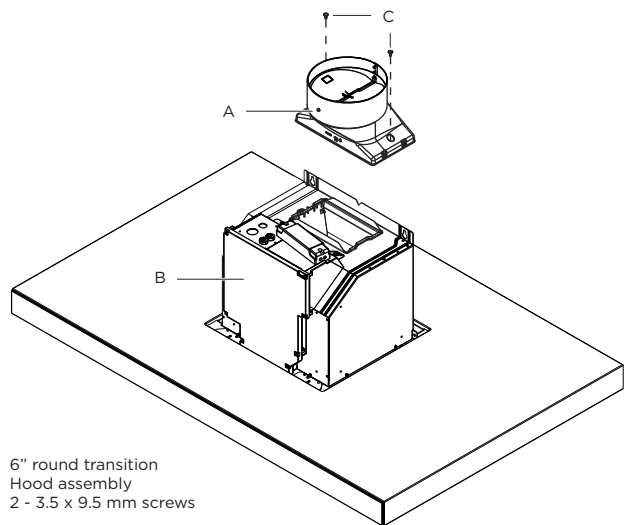
- Mark with a pencil the hole locations for screws and duct in the ceiling.



- Fix the upper horizontal support with 4 - 5 x 45 mm screws.

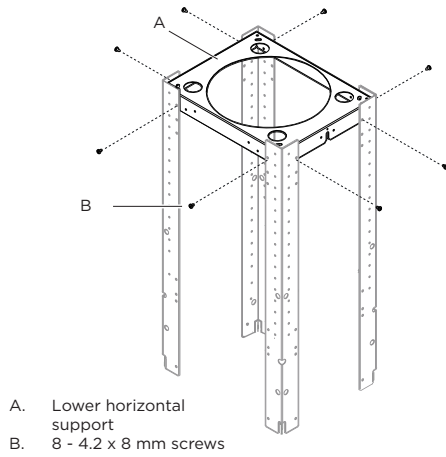


- Install the 6" (15.2 cm) round transition with 2 - 3.5 x 9.5 mm screws.

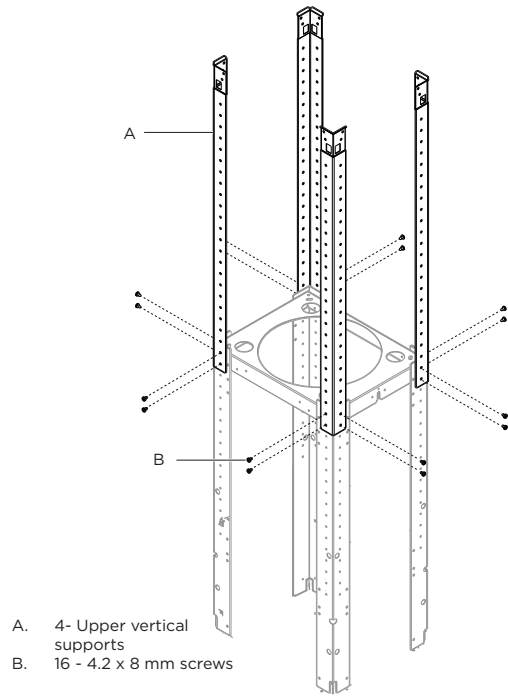


- A. 6" round transition
- B. Hood assembly
- C. 2 - 3.5 x 9.5 mm screws

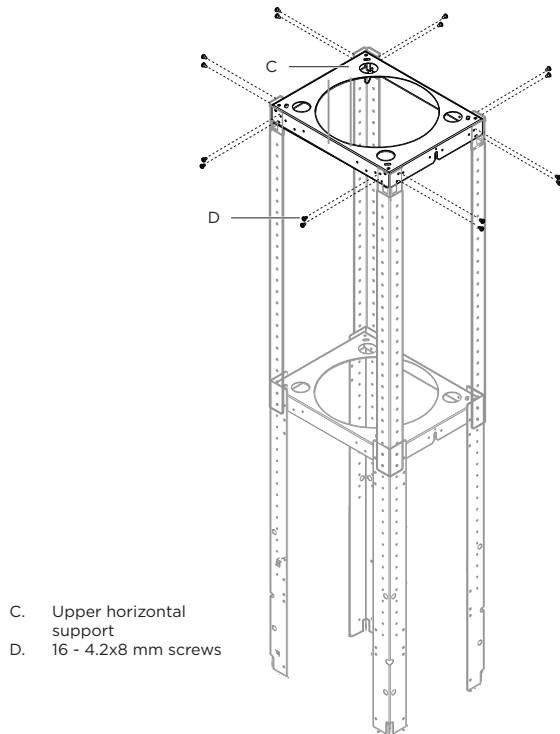
5 Install the lower horizontal support with 8 - 4.2 x 8 mm screws.



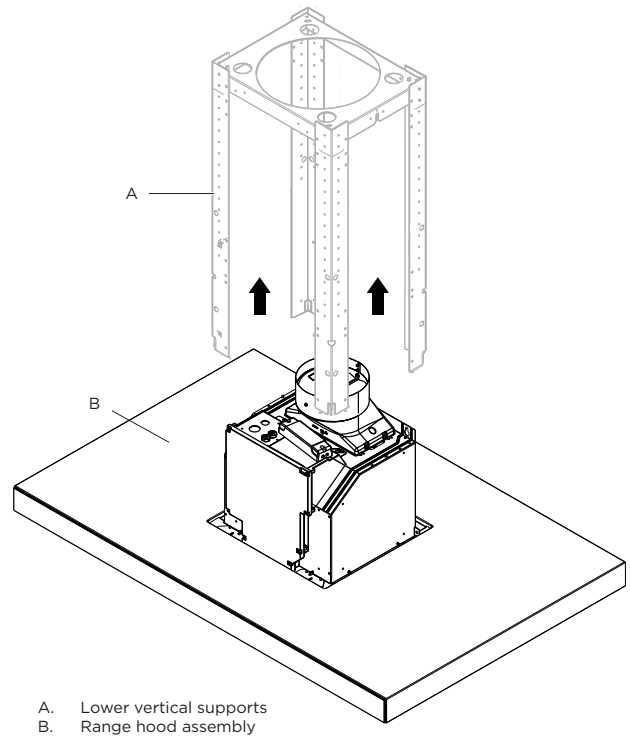
6 Install the 4 vertical supports with 16 - 4.2 x 8 mm screws.



7 Install the structure to the horizontal support with 16 - 4.2 x 8 mm screws.

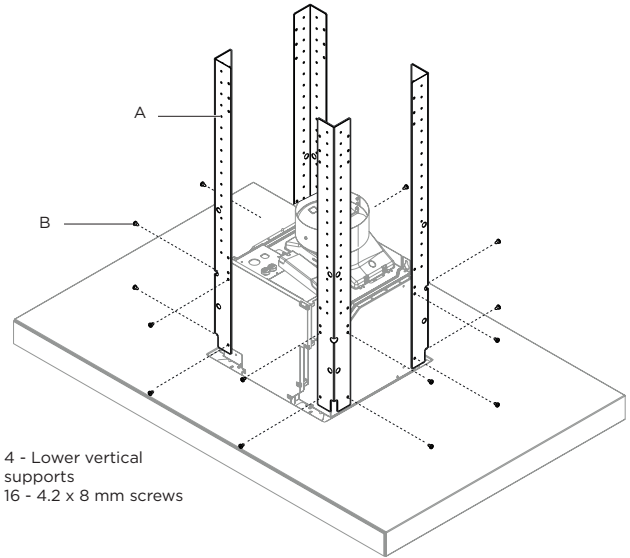
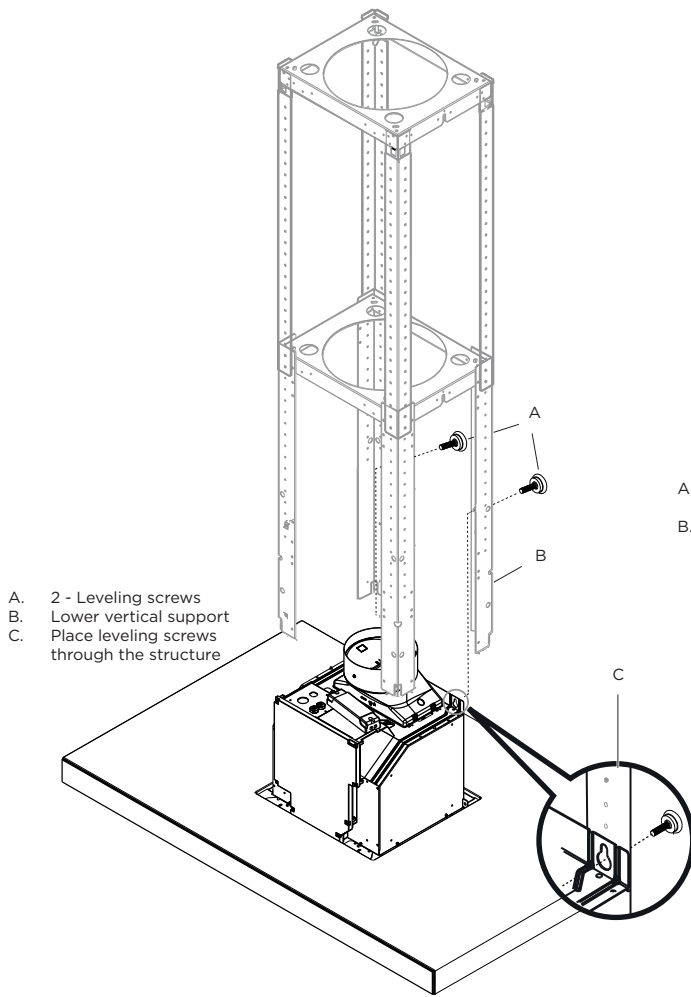


8 Using 2 or more people, lift the range hood assembly under the structure.

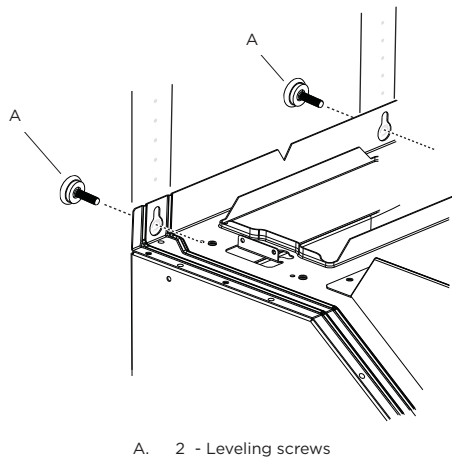


9 Attach the range hood assembly to the lower vertical supports with 2 leveling screws.

10 Install the 4 vertical supports with 16 - 4.2x8 mm screws. Check everything is tightly screwed.



11 Remove the 2 leveling screws from the structure.



Electrical connection

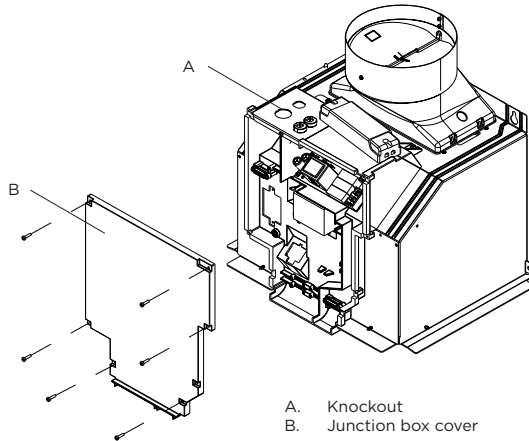
WARNING

TO REDUCE THE RISK OF FIRE, USE ONLY METAL DUCT WORK.
ELECTRICAL SHOCK HAZARD.

WARNING

TURN OFF POWER CIRCUIT AT THE SERVICE PANEL
BEFORE WIRING THIS UNIT.
120 VAC, 15 OR 20 AMP CIRCUIT REQUIRED.

- Facing the front of the range hood, remove the left knockout and the Junction box cover and install the conduit connector (cULus listed) in junction box.



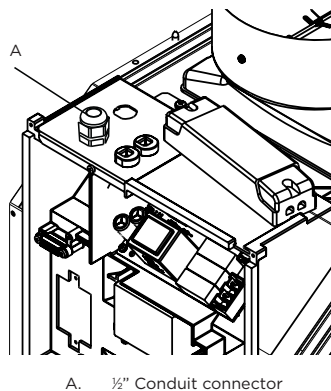
ELECTRICAL GROUNDING INSTRUCTIONS

This appliance is fitted with an electrical junction box with 3 wires, one of which (green/yellow) serves to ground the appliance.

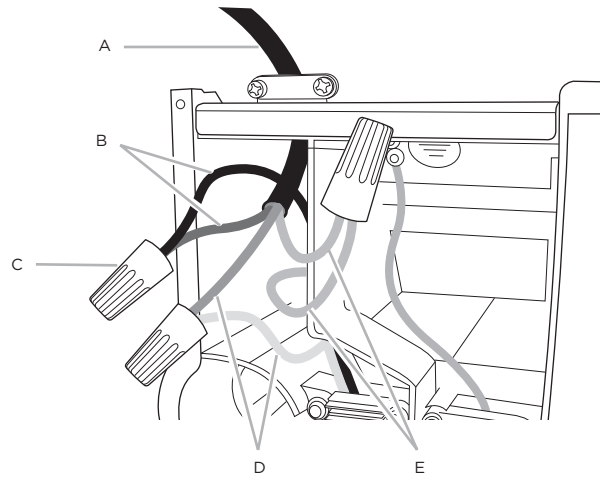
To protect you against electric shock, the green and yellow wire must be connected to the grounding wire in your home electrical system, and it must under no circumstances be cut or removed.

Failure to do so can result in death or electrical shock.

- If not already done, install a ½" conduit connector in junction box.



- Run home power supply cable through the conduit, into terminal box.
- Use UL listed wire connectors and connect black wires (B) together.
- Use UL listed wire connectors and connect white wires (D) together.



A. Home power supply cable
B. Black wires
C. UL listed wire connectors
D. White wires
E. Green (or bare) and yellow-green ground wires

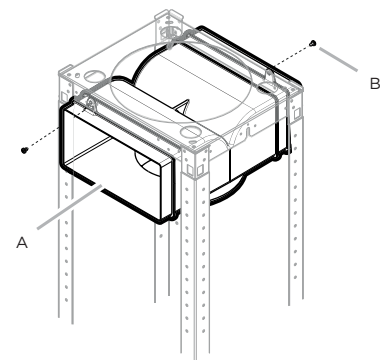
- Connect green (or bare) ground wire from home power supply to yellow-green ground wire (E) in terminal box using UL listed wire connectors.
- Tighten strain relief screw.
- Install terminal box cover.
- Check that all light bulbs are secure in their sockets.
- Reconnect power

Complete the installation

ONLY FOR RECIRCULATING VERSION
(Using Recirculating Kit model KITO2665)

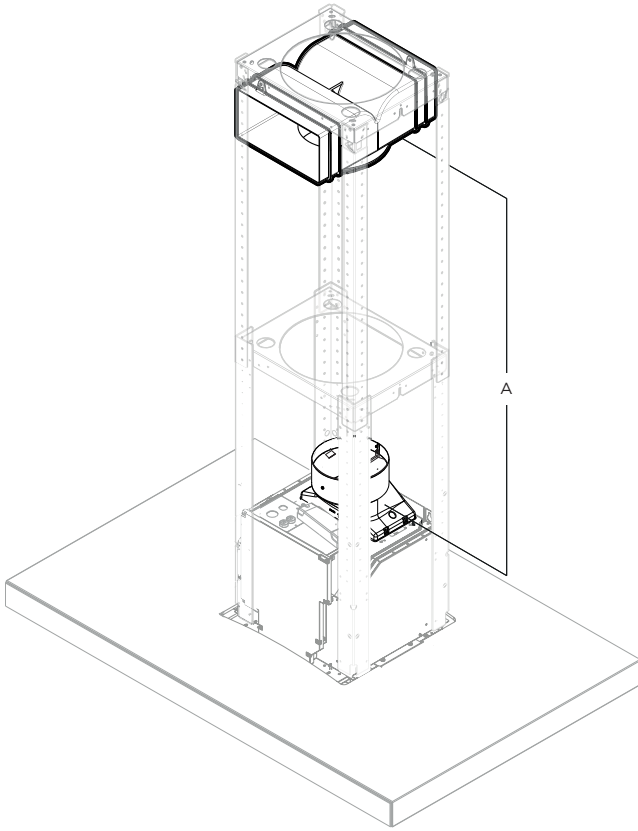
Air deflector installation

- Assemble the air deflector with the upper horizontal support with 2 assembly screws.



A. Air deflector
B. Assembly screws

- Measure from the bottom of the air deflector to the bottom of the hood outlet, as shown.

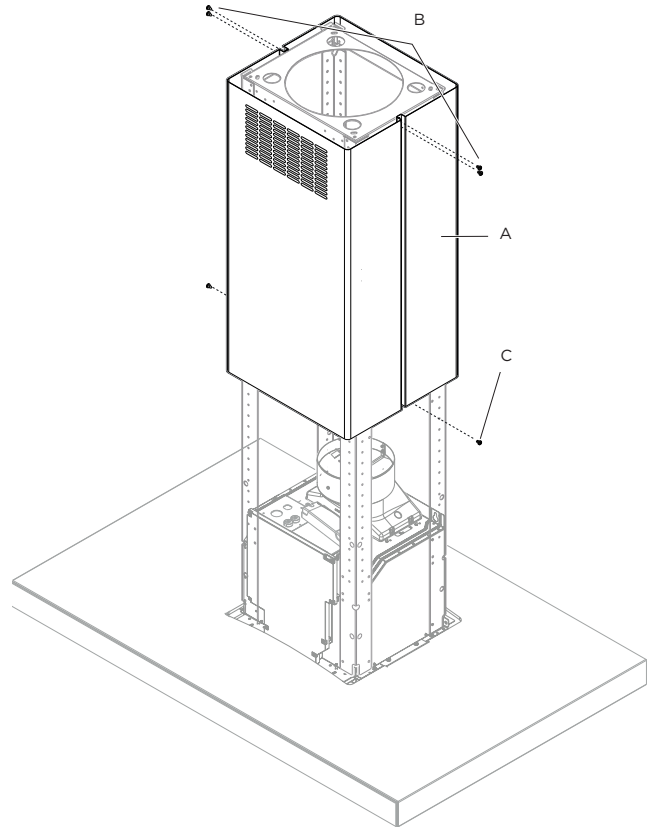


A. Dimension to measure

- Cut the duct at the measured size.
- Slip the duct onto the bottom of the deflector.
- Place the duct over the exhaust outlet from the hood.
- Use duct tape to seal the deflector and at the exhaust outlet from the hood.
- Place charcoal filters. See "Maintenance" section.

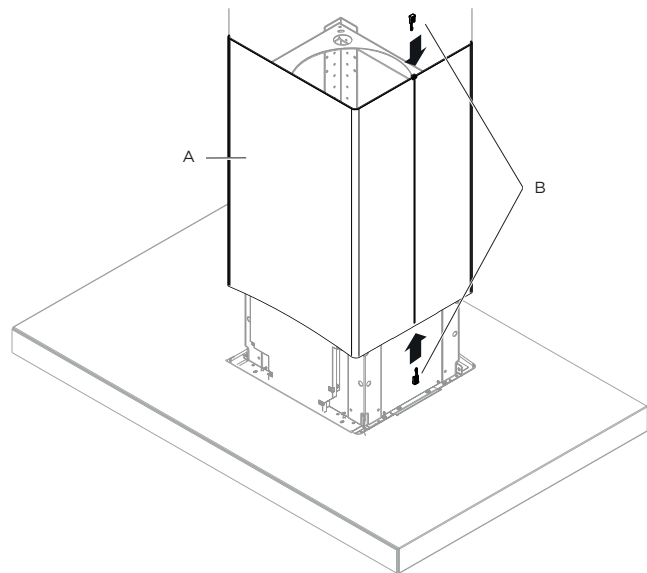
Duct cover installation (both ducted and non ducted versions)

- Attach the upper duct covers using 6 - 3.5x6.5 mm screws.
- NOTE:** For non-ducted (recirculating) installation, the slotted holes in the upper duct covers will be visible when assembled. For ducted installations, the slotted holes will be hidden down inside the lower duct covers.



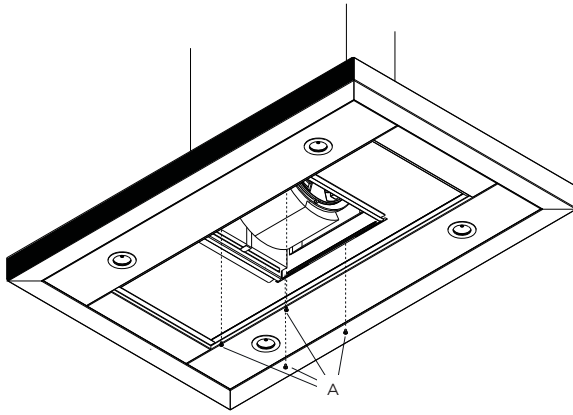
A. Upper duct covers
 B. 4 - 3.5x6.5 mm installation screws
 C. 2 - 2.9x3 mm screws

- Place lower duct covers using one plastic bracket at each side (4 needed).



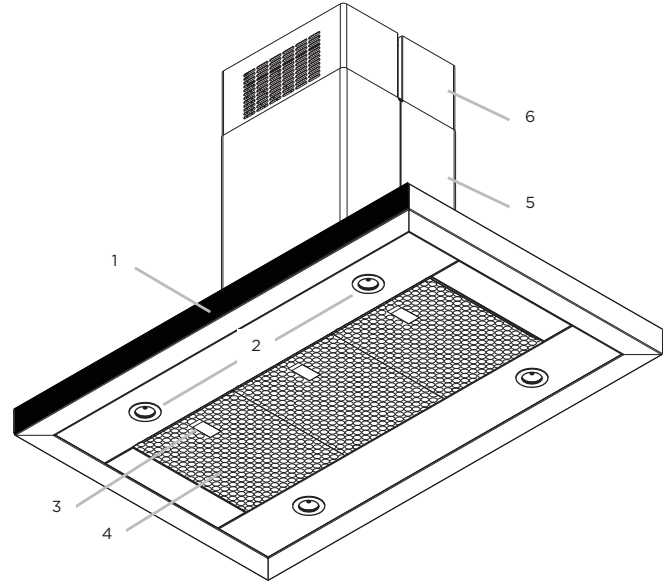
A. Lower duct covers
 B. 4 - Duct cover plastic bracket

- Secure the lower duct cover to the range hood canopy using 4 - 4.2 x 8 mm screws.



A. 4 - 4.2x8 mm screws

Description of the hood



1. Blower and LED lamp controls
2. LED lamps
3. Grease filter handle
4. Grease filters
5. Lower duct cover
6. Upper duct cover


Control




1. Button ON/OFF motor (stand by)
2. Button for low speed (suction power) selection
When flashing, it indicates that you must wash the grease filter.
3. Button for medium speed (suction power) selection
4. Button for high speed (suction power) selection
5. Button for intensive speed (suction power) selection
It lasts 5 minutes then it returns to medium speed (suction power).
6. Button ON/OFF lighting
Press briefly to switch on or off the lighting of the hood.
Press and hold to adjust the intensity of the light.

Indicators of filter saturation:


At regular time intervals, the hood indicates the need of performing filter maintenance.

Button  on with steady light:
Perform grease filter maintenance.

Button  flashing:
Perform activated charcoal filter maintenance.


NOTE: Filter saturation signal is visible within the first minute after switching off the hood; within this time, the reset of saturation indicators must be performed.


Reset of filter saturation indicators:

Press and hold the button 

Activation of saturation indicator activated charcoal filter:

NOTE: This operation must be performed with the hood off.
This indicator is normally deactivated; press and hold the

button  to activate the function: the button lights up with steady light.

To deactivate the function, press and hold the button , the button lights up flashing.

CRS CFM Reduction System

Before operating your hood:

Some States and Provinces of the US & Canada restrict the maximum exhausting airflow of range hoods. Airflow is measured as cubic feet per minute (CFM). These maximum levels allowed are detailed in the local code of your area. Please check local codes to find out if you need to restrict the maximum airflow of your hood. If your local code mandates a maximum airflow level below the maximum airflow of this hood (i.e. 600 CFM), please execute the procedure below to reduce the maximum airflow.



- 1 Turn the motor OFF.
- 2 Press the ON/OFF (1) and Intensive speed (5) buttons together for 3 seconds.
You will hear a beep and all control lights will illuminate for 3 seconds.
This action will Disable speeds 3 and 4 and effectively lower the Maximum airflow to <300 CFM.
- 3 Locate the CFM certification sticker in the hardware pack.
- 4 Peel and Affix this sticker to a visible area in the blower.
This sticker provides official certification to your local inspector that this hoods maximum airflow has been reduced to <300 CFM.

Maintenance

| **ATTENTION!**

Before performing any maintenance operation, isolate the hood from the electrical supply by switching off at the connector and removing the connector fuse.

Or if the appliance has been connected through a plug and socket, then the plug must be removed from the socket.

Cleaning

Do not spray cleaners directly to the control while cleaning the Hood. The cooker hood should be cleaned regularly (at least with the same frequency with which you carry out maintenance of the fat filters) internally and externally. Clean using the cloth dampened with neutral liquid detergent. Do not use abrasive products. Do not use chlorine base cleaners.

DO NOT USE ALCOHOL!

Exterior surfaces:

To avoid damage to the exterior surface, do not use steel wool or soap-filled scouring pads. Do not use chlorine base cleaners. Rub in direction of the grain line to avoid scratching the surface.

| **WARNING**

Failure to carry out the basic cleaning recommendations of the cooker hood and replacement of the filters may cause fire risks. Therefore, we recommend observing these instructions. The manufacturer declines all responsibility for any damage to the motor or any fire damage linked to inappropriate maintenance or failure to observe the above safety recommendations.

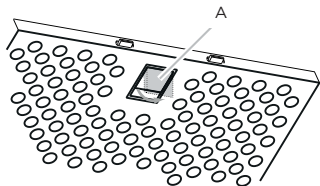
Grease Filter

Traps cooking grease particles.

This must be cleaned once a month using non aggressive detergents, either by hand or in the dishwasher, which must be set to a low temperature and a short cycle.

When washed in a dishwasher, the grease filter may discolour slightly, but this does not affect its filtering capacity.

To remove the grease filter, pull the spring release handle.



A. Spring release handle

Replacing a LED Lamp

The LED lights are replaceable by a service technician only. See "Who to contact" section in the warranty for service contact information.

Charcoal filter

| **WARNING**

When used in recirculation mode, To Reduce the Risk of Fire and Shock use only conversion kit Models:

Recirculating kit: KITO2665

Charcoal filter replacement: KITO2667

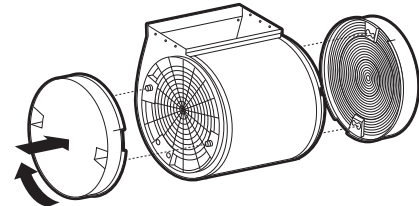
If the model is not vented to the outside, the air will be recirculated through disposable charcoal filters that help remove smoke and odors.

- 1 Cover the grill that protects the suction motor with the carbon filter so that the slots on the filter correspond to the pins on the sides of the motor protection grill.
- 2 Turn the carbon filter clockwise to block them (bayonet fixing).

NOTE: The charcoal filters cannot be cleaned. It should be replaced every 4-6 months (depending on hood usage).

NOTE: DO NOT rinse, or put charcoal filters in an automatic dishwasher.

NOTE: Charcoal filters are not included with the hood. They must be ordered from your supplier. Order the needed kit specifying your hood model and width size.



ELICA North America

TWO-YEAR LIMITED WARRANTY

TO OBTAIN SERVICE UNDER WARRANTY

Owner must present proof of original purchase date. Please keep a copy of your dated proof of purchase (sales slip) in order to obtain service under warranty.

PARTS AND SERVICE WARRANTY

For the period of two (2) years from the date of the original purchase, Elica will provide free of charge, non consumable parts or components that failed due to manufacturing defects. During these two (2) years limited warranty, Elica will also provide free of charge, all labor and in-home service to replace any defective parts.

WHAT IS NOT COVERED

- Damage or failure to the product caused by accident or act of God, such as, flood, fire or earthquake.
- Damage or failure caused by modification of the product or use of non-genuine parts.
- Damage or failure to the product caused during delivery, handling or installation.
- Damage or failure to the product caused by operator abuse.
- Damage or failure to the product caused by dwelling fuse replacement or resetting of circuit breakers.
- Damage or failure caused by use of product in a commercial application.
- Service trips to dwelling to provide use or installation guidance.
- Light bulbs, metal or carbon filters and any other consumable part.
- Normal wear of finish.
- Wear to finish due to operator abuse, improper maintenance, use of corrosive or abrasive cleaning products/pads and oven cleaner products.

WHO IS COVERED

This warranty is extended to the original purchaser for products purchased for ordinary residential use in North America (Including the United States, Guam, Puerto Rico, US Virgin Islands & Canada).

This warranty is non-transferable and applies only to the original purchaser and does not extend to subsequent owners of the product. This warranty is made expressly in lieu of all other warranties, expressed or implied, including, but not limited to any implied warranty of merchantability or fitness for a particular purpose and all other obligations on the part of Elica North America, provided, however, that if the disclaimer of implied warranties is ineffective under applicable law, the duration of any implied warranty arising by operation of law shall be limited to two (2) years from the date of original purchase at retail or such longer period as may be required by applicable law.

This warranty does not cover any special, incidental and/or consequential damages, nor loss of profits, suffered by the original purchaser, its customers and/or the users of the Products.

WHO TO CONTACT

To obtain service under warranty or for any service related question:

- Elica North America Service, call at 1 888 732 8018
- For Eastern Canada, call AGI Services at 1 888 651 2534 Ask for the service department
- elica@servicepower.com

Table des matières

Avis de sécurité important	18
Exigences électriques et d'installation	19
Avant d'installer la hotte	19
Dimensions du produit	19
Liste des pièces	20
Pièces fournies	20
Pièces non fournies	20
Méthodes d'évacuation	21
Installation	21
Connexion électrique.....	25
Achever l'installation	25
Description de la hotte	27
Commandes	27
Entretien	29
Garantie	30

**APPROUVÉ POUR LES APPAREILS DE TYPE RÉSIDENTIEL
POUR UNE UTILISATION RÉSIDENTIELLE SEULEMENT
LISEZ CES INSTRUCTIONS ET CONSERVEZ-LES**

**VEUILLEZ LIRE CES INSTRUCTIONS AU COMPLET AVANT DE COMMENCER.
L'INSTALLATION DE L'APPAREIL DOIT RESPECTER TOUS LES CODES EN VIGUEUR.**

IMPORTANT : Conservez ces instructions afin de pouvoir les remettre à l'inspecteur-électricien de votre région.

INSTALLATEUR : Veuillez laisser ces instructions avec l'appareil pour le propriétaire.

PROPRIÉTAIRE : Veuillez conserver ces instructions pour pouvoir vous y référer plus tard.

Avertissement de sécurité : Coupez l'alimentation du circuit dans le panneau électrique et verrouillez le panneau avant de raccorder les fils de cet appareil.

Exigence : 120 V c.a., 60 Hz circuit de dérivation de 15 V c.a., 20 Hz, de 15 ou 20 A.

I AVIS DE SÉCURITÉ IMPORTANT

I ATTENTION

UTILISER CET APPAREIL À DES FINS DE VENTILATION GÉNÉRALE SEULEMENT. NE PAS UTILISER CET APPAREIL POUR ÉVACUER DES MATÉRIAUX OU DES VAPEURS DANGEREUX OU EXPLOSIFS.

I AVERTISSEMENT

POUR RÉDUIRE LES RISQUES D'INCENDIE, DE CHOC ÉLECTRIQUE ET DE BLESSURE, RESPECTER LES DIRECTIVES SUIVANTES:

- A. Utiliser cet appareil uniquement aux fins prévues par le fabricant. Si vous avez des questions à propos de l'appareil, communiquez avec le fabricant.
- B. Avant de faire l'entretien de l'appareil ou de le nettoyer, coupez l'alimentation dans le panneau électrique et verrouillez le panneau en bloquant le dispositif permettant d'empêcher d'activer l'alimentation accidentellement. S'il n'est pas possible de verrouiller l'accès au panneau, fixez une étiquette très voyante au panneau électrique.
- C. Une personne qualifiée doit effectuer l'installation et le câblage des fils électriques en conformité avec tous les codes et toutes les normes, y compris la cote de résistance au feu.
- D. Il est important de prévoir suffisamment d'air pour assurer une bonne combustion de l'équipement de chauffe et l'évacuation adéquates des gaz par le conduit de cheminé afin de prévenir les refoulements d'air. Respectez les directives et les normes de sécurité des fabricants de l'équipement de chauffage, comme celles publiées par la National Fire Protection Association (NFPA), la American Society for Heating, Refrigeration and Air Conditioning Engineers (ASHRAE) et le code des autorités de votre région.
- E. Au moment de couper ou de percer un mur ou un plafond, assurez-vous de ne pas endommager la filerie électrique ou tout autre accès à un service publique.
- F. Il faut toujours évacuer à l'extérieur les systèmes conduit.

I ATTENTION

Pour réduire les risques d'incendie et évacuer l'air correctement, assurez-vous que le conduit mène à l'extérieur; il ne faut pas évacuer l'air dans l'espace entre les murs, dans les plafonds, dans les greniers, les vides sanitaires ou les garages.

I AVERTISSEMENT

POUR RÉDUIRE DES RISQUES D'INCENDIE, UTILISEZ UNIQUEMENT DES CONDUITS EN MÉTAL.

Installez cette hotte en respectant toutes les exigences mentionnées.

I AVERTISSEMENT

Pour réduire les risques d'incendie et de choc électrique, n'utilisez pas cette hotte avec un contrôleur de vitesse à semi-conducteurs.

I ATTENTION

Dispositif à commande automatique - pour réduire le risque de Blessure Débrancher de l'alimentation électrique avant la maintenance.

I AVERTISSEMENT

POUR RÉDUIRE LES RISQUES D'INCENDIE DE GRAISSE SUR LES CUISINIÈRES.

- a) Ne laissez jamais la cuisinière sans surveillance lorsqu'elle est réglée à une haute température. Les débordements par bouillonnement causent de la fumée et des débordements de gras qui peuvent s'enflammer. Faites chauffer l'huile lentement, à une température basse ou moyenne.
- b) Faites toujours fonctionner la hotte lorsque vous utilisez la cuisinière à une haute température ou que vous faites flamber des aliments (P. ex.: crêpes Suzette, cerises jubilé, boeuf au poivre flambé).
- c) Nettoyez les hélices de ventilation fréquemment. Il ne faut pas que la graisse s'accumule sur les filtres ou les hélices.
- d) Utilisez le bon format de casserole. Utilisez toujours un chaudron de taille approprié à l'élément de la cuisinière.
- e) Convient pour utilisation dans la zone de cuisson domestique.

I AVERTISSEMENT

POUR ÉVITER DE BLESSER QUELQU'UN LORS D'UN INCENDIE DE GRAISSE SUR LA CUISINIÈRE, SUIVRE LES CONSEILS SUIVANTS:^a

- a) ÉTOUFFER LES FLAMMES avec un couvercle aux dimensions de la tige de cuisson, une tôle à biscuit ou tout autre plateau métallique, puis couper le gaz ou l'alimentation électrique de la cuisinière. FAIRE ATTENTION A NE PAS SE BRÛLER. Si les flammes ne s'éteignent pas immédiatement, QUITTER LA PIÈCE ET APPELER LES POMPIERS.
- b) NE JAMAIS PRENDRE EN MAIN UNE CASSEROLE N FEU, vous pourriez vous blesser.
- c) NE PAS UTILISER D'EAU, y compris les essuies de vaisselle ou les serviettes humides - une violente explosion due à la vapeur formée pourrait survenir.
- d) Utiliser un extincteur SEULEMENT si:
 - 1) Vous êtes sûr d'avoir un extincteur de classe ABC que vous savez utiliser.
 - 2) Le feu est petit et confiné à la zone où il s'est formé.
 - 3) Les pompiers ont été appelés.
 - 4) Vous pouvez lutter contre le feu avec une sortie derrière vous.
- e) Les ventilateurs conduits doivent toujours être évacués vers l'extérieur.

a Recommandations tirées des conseils de sécurité en cas d'incendie de cuisine publiés par la NFPA.

MODE OPÉRATOIRE

Toujours laisser les grilles de sécurité et les filtres à leur place. Sans la présence de ces derniers, les parties aspirantes pourraient attirer les cheveux, les doigts ou les vêtements.

Le fabricant décline toute responsabilité si les informations détaillées dans ce manuel pour l'installation, l'entretien et l'utilisation adéquate du produit ne sont pas observées. Le fabricant décline en outre toute responsabilité pour d'éventuelles blessures dues à des négligences; en outre, la garantie de l'appareil sera annulée suite à des conditions d'entretien inappropriées. Cet appareil est fabriqué pour un usage interne. Ne pas utiliser cet appareil à l'extérieur.

EXIGENCES ÉLECTRIQUES ET D'INSTALLATION

IMPORTANT

Respectez tous les codes et les ordonnances en vigueur.

Le client a la responsabilité de :

- Contacter un électricien-installateur.
- Vérifier que l'installation électrique est adéquate et conforme avec le Code national de l'électricité, ANSI/ NFPA 70 (la plus récente édition*), ou les normes C22.1-94, Code canadien de l'électricité, Partie 1 et C22.2 No.0-M91 (La plus récente édition**) de la CSA, ainsi que tous les codes et les ordonnances de votre région.
- Si le code le permet et que vous utilisez un fil de mise à la terre distinct, il est recommandé de faire vérifier le chemin du fil par un électricien.
- Ne pas mettre l'appareil à la terre sur une conduite de gaz.
- Consultez un électricien qualifié si vous n'êtes pas certain que la hotte est mise à la terre correctement.
- N'installez pas un fusible dans le circuit neutre ou le circuit de mise à la terre.

IMPORTANT

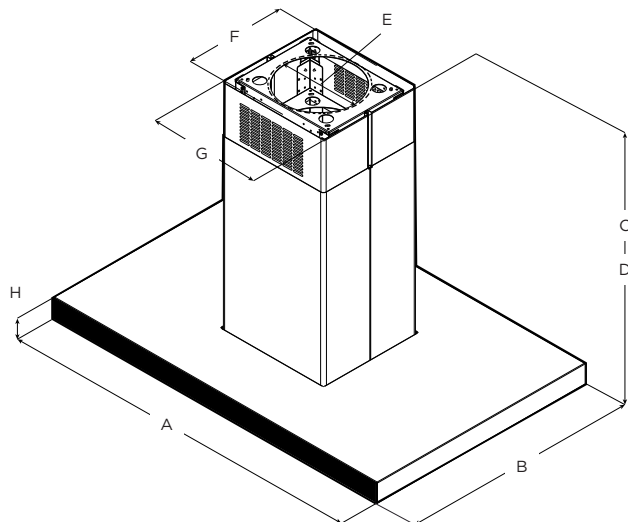
- Conservez ces instructions afin de pouvoir les remettre à l'inspecteur-électricien.
- La hotte doit être câblée uniquement à l'aide de fils de cuivre.
- Il faut raccorder la hotte directement à une boîte à fusible ou à un disjoncteur par l'entremise d'une canalisation électrique en métal.
- Le calibre de fil doit être conforme aux exigences du Code national de l'électricité, ANSI/NFPA 70 (La plus récente édition*), ou les normes C22.1-94, Code canadien de l'électricité, Partie 1 et C22.2 O-M91 (La plus récente édition**) de la CSA, ainsi que tous les codes et les ordonnances de votre région.
- Il faut prévoir un connecteur de canalisation approuvé par l'UL ou la CSA à chaque extrémité de la canalisation d'alimentation (À la hotte et à la boîte de jonction).

AVANT D'INSTALLER LA HOTTE

- 1 Pour assurer la ventilation la plus efficace possible, installez la conduite en ligne droite ou avec le moins de coudes possibles.
ATTENTION : La sortie de la conduite de ventilation doit donner sur l'extérieur.
- 2 Deux personnes sont nécessaires pour effectuer l'installation.
- 3 La quincaillerie fournie permet de fixer la hotte à la plupart des murs et des plafonds; consultez un installateur qualifié pour vous assurer que la quincaillerie fournie est adaptée à votre type de mur ou d'armoire.
- 4 N'utilisez pas de conduit flexible.
- 5 Dans le cas des endroits sujets aux TEMPÉRATURES FROIDES, il faut installer un clapet de contre-tirage supplémentaire afin de minimiser le retour d'air froid et un isolant thermique non métallique afin de minimiser la conduction de la température extérieur dans le conduit. Il faut placer le clapet du côté de l'air froid de l'isolant thermique.
L'isolant doit être placé le plus près possible de l'endroit où le conduit entre dans la partie chauffée de la maison.
- 6 Air d'appoint : Le code du bâtiment de votre région peut exiger l'utilisation d'un système d'air d'appoint si vous utilisez un système de ventilation à conduit dont le mouvement d'air dépasse un certain nombre de CFM. Le nombre de pi³/min varie d'une région à l'autre. Consultez un professionnel de CVC pour connaître les exigences précises de votre région.

Vous pouvez obtenir un exemplaire des normes indiquées en vous adressant à :
* La National Fire Protection Association, Batterymarch Park Quincy, Massachusetts, 02269
** La CSA International, 8501 East Pleasant Valley Road, Cleveland, Ohio, 44131-5575

DIMENSIONS ET DÉGAGEMENT



	Modèles	
	EMG636S1	EMG642S1
A	36" (91.4 cm)	42" (106.7 cm)
B	27 ¹ / ₈ " (68.9 cm)	
C*	Min: 29 ³ / ₁₆ " (75.7 cm) Max: 50 ¹ / ₈ " (127.3 cm)	
D**	Min: 29 ³ / ₁₆ " (75.7 cm) Max: 44 ⁷ / ₈ " (114 cm)	
E	6" (15.9 cm)	
F	12" (30.4 cm)	
G	13" (33.24 cm)	
H	2 ³ / ₈ " (6 cm)	

* Seulement avec la version sans conduit (à recyclage)

** Seulement avec la version à conduit

LISTE DES PIÈCES

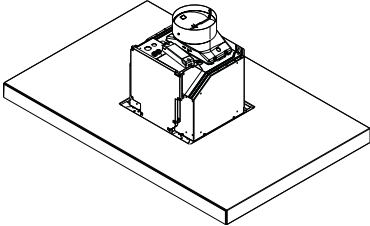
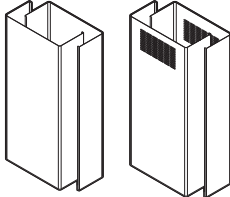

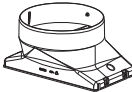



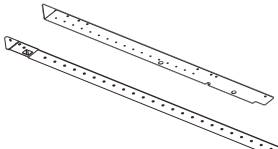





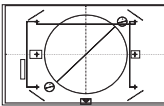
Retirer les pièces de leur emballage.

I ATTENTION

Enlever délicatement le carton, porter des gants pour se protéger des bords coupants.

I AVERTISSEMENT

Enlever le film de protection recouvrant le produit avant de commencer l'opération.

Pièces Fournies	Quantité	Pièces Fournies	Quantité
 <p>Assemblage hotte avec soufflerie et lampes DEL</p>	1	 <p>Conduits de cheminée</p>	Supérieur: 2 Inférieur: 2
 <p>5x45 mm</p>	4	 <p>Transition ronde de 6"</p>	1
 <p>4,2x8 mm</p>	60	 <p>Bride de support du cache-conduit</p>	4
 <p>3,5x9,5 mm</p>	2	 <p>Support vertical</p>	Supérieur: 4 Inférieur: 4
 <p>3,5x6,5 mm</p>	4		
 <p>2,9x3 mm</p>	2		
 <p>Vis de nivellement</p>	2	 <p>Adaptateur Torx</p>	#10: 1 #20: 1
 <p>8x40 mm</p>	4	 <p>Ruban pour le gabarit de montage</p>	1

Pièces non Fournies

Outils nécessaires

- Ecrous métalliques
- Ruban pour le gabarit de montage
- Conduit métallique circulaire de 6" pour parfaire l'installation
- Mètre ruban
- Tenailles
- Gants
- Couteau
- Lunettes de sécurité
- Foreuse électrique 5/16" et 3/8"
- Réducteur de tension
- Niveau
- Toile isolante
- Tournevis:
 - Phillips #2
 - TORX #10, #20

- Dénudeur
- Ruban de masquage
- Marteau
- Scie, scie circulaire

Accessoires optionnel

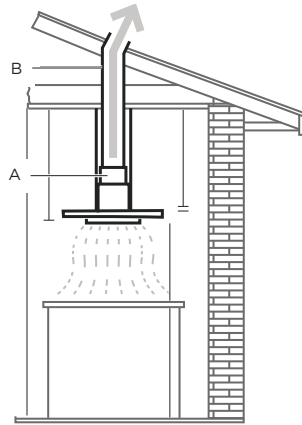
KIT	# Pièce
Kit de recyclage	KIT02665
Kit d'extension de cheminée	KIT0100317
Remplacement du filtre au Carbone	KIT02667

Méthodes d'évacuation

Suivez à la lettre les directives présentées dans ce manuel. Le fabricant refuse toute responsabilité en ce qui a trait à tout préjudice, dommage ou incendie causé par la non observation des directives contenues dans le présent manuel.

Version à conduit

La hotte est dotée d'une transition 6" (15,2 cm) afin d'évacuer les vapeurs à l'extérieur.



A. Transition de 6" (15,2 cm)
B. Conduit rond de 6" (15,2 cm)

Préparation

Ne coupez pas une solive ou un montant à moins qu'il soit absolument nécessaire de le faire. Si vous devez couper une solive ou un montant, vous devez construire un cadre de soutien. La quincaillerie fournie permet de fixer la hotte à la plupart des murs et des plafonds.

Vous devez cependant demander à un technicien qualifié de vérifier la solidité des matériaux selon le type de mur ou de plafond.

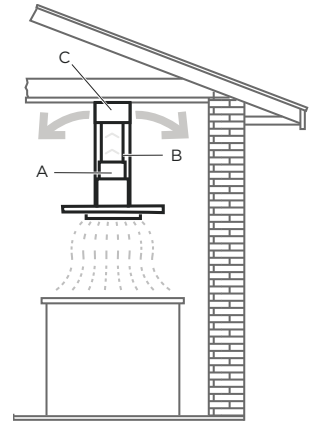
Avant de couper, assurez-vous qu'il y a un dégagement suffisant dans le plafond ou le mur pour passer la conduite de sortie.

Hauteur de montage recommandée:

Vous pouvez déterminer vous-même la hauteur à laquelle vous installez la hotte au dessus de la cuisinière. Plus la hotte est près de la cuisinière, plus elle est efficace à capter les odeurs de cuisson, la graisse et la fumée.

Version sans conduit (Recyclage)

S'il s'avère impossible d'évacuer la fumée et les vapeurs de cuisson à l'extérieur, il est possible de transformer la hotte en version sans conduit (Recyclage). Fixer un filtre au charbon et le déflecteur sur le support de couvercle de conduit. La fumée et la vapeur sont recyclées. Dans le cas de la version sans conduit (à recyclage) seulement: procurez-vous la trousse de conversion en hotte à recyclage.



A. Transition de 6" (15,2 cm)
B. Conduit rond de 6" (15,2 cm)
C. Déflecteur

I ATTENTION

Pour l'installation des cuisinières à gaz: mettez la hotte afin d'avoir entre le bord inférieur de la hotte et le plan de cuisson une distance de 30" (76,2 cm).

Pour des cuisinières électriques/induction:

La distance entre le bord inférieur de la hotte et le plan de cuisson ne doit pas être inférieure de 24" (61 cm) et supérieure.

Il n'y a pas de hauteur de montage maximale, toutefois, nous vous recommandons de monter la hotte plus de 36" au-dessus de la surface de cuisson. Pour chaque pouce (2,54 cm) au-dessus de 36", l'efficacité de la capture des fumées et de l'humidité diminue à un taux d'augmentation et ne peut pas délivrer un niveau de performance de ventilation acceptable. Emploi domestique.

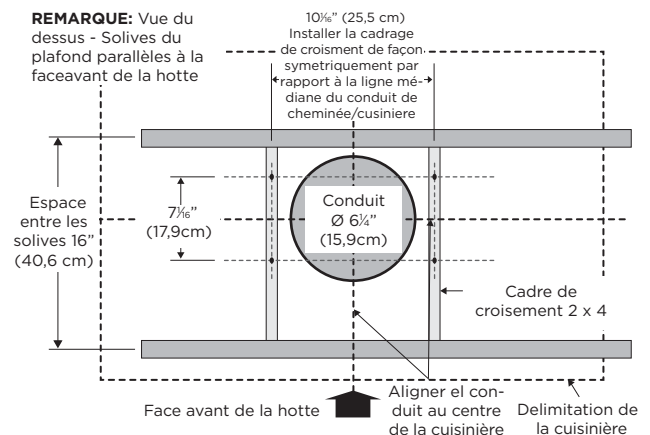
Lire attentivement le livret instructions pour des Applications spécifiques. Vérifiez donc la hauteur de votre plafond et la hauteur maximum de la hotte avant de choisir votre modèle de hotte.

Installation

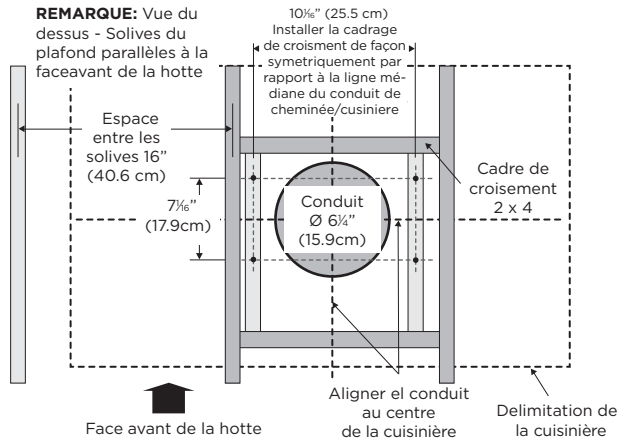
Structures de soutien au plafond

- Cette hotte de ventilation est lourde. Des structures et des supports adéquats doivent être fournis pour les types d'installations.
- A l'endroit de la hotte, installer un cadrage croisé de 2"x 4" entre les solives du plafond comme indiqué (2"x 4" sont nécessaires pour supporter le poids de la hotte).
- Ajuster le cadrage sur le plafond par rapport à la structure existante.
- Vos solives de plafond doivent être comme un des exemples:

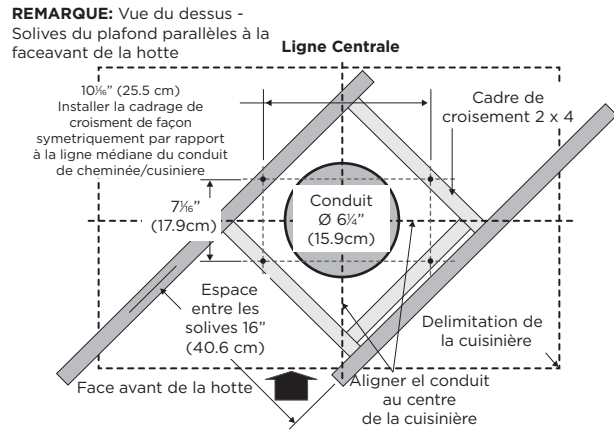
Exemple A



Exemple B



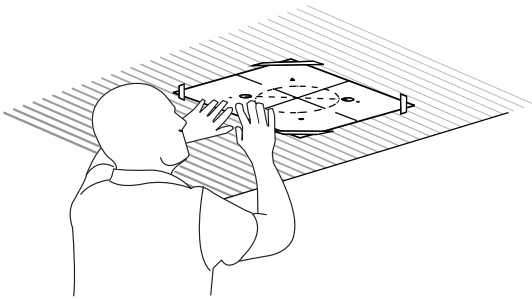
Exemple C



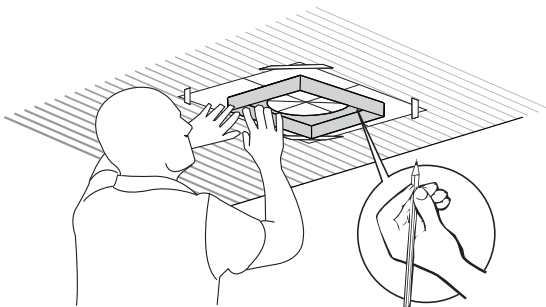
Installation des vis de montage de la hotte

- 1 Placez le gabarit dans le plafond étant donné les directives pour les structures du support du plafond.

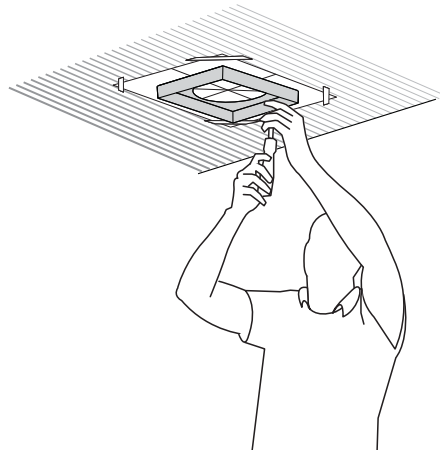
REMARQUE: Toujours considère le devant de légende du capuchon quand jouer le gabarit sur le plafond. Il définira l'emplacement du contrôle.



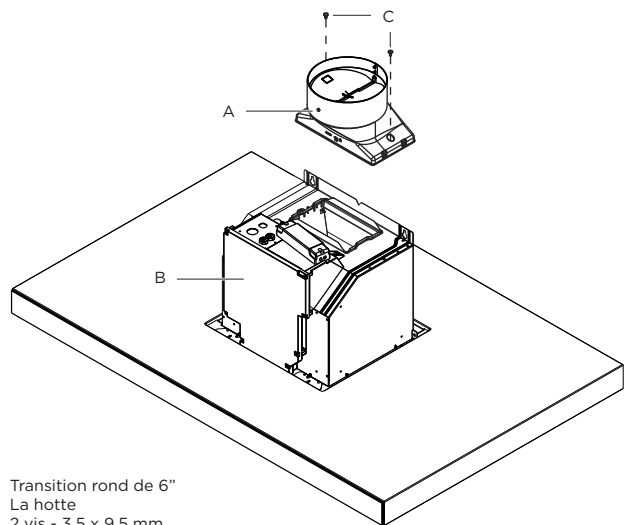
- 2 Marquer avec un crayon les emplacements des trous pour les vis et le conduit sur le plafond.



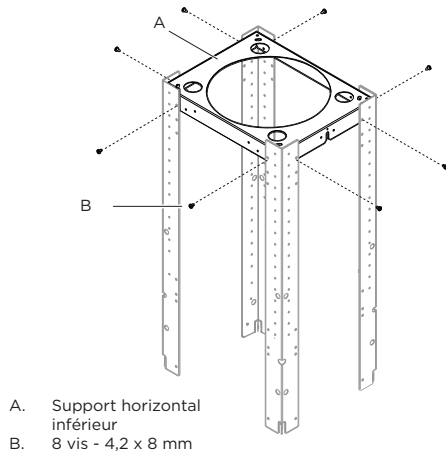
- 3 Fixer le support horizontal supérieur à l'aide de 4 vis de 5 x 45 mm.



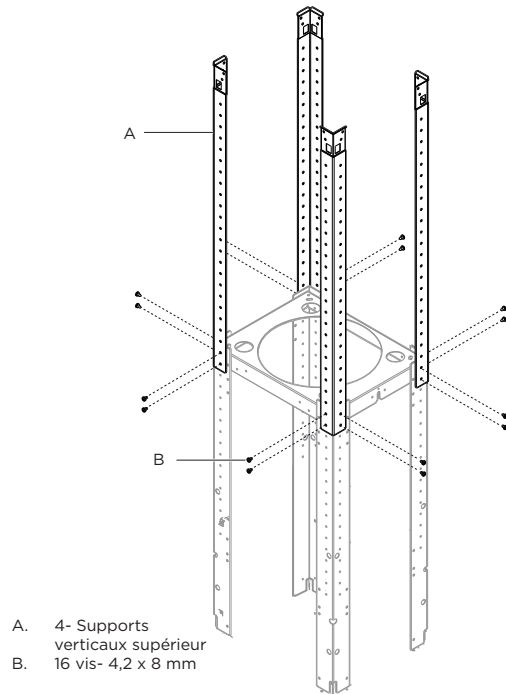
- 4 Installez le transition rond de 6" (15,2 cm) avec 2 vis de 3,5 x 9,5 mm.



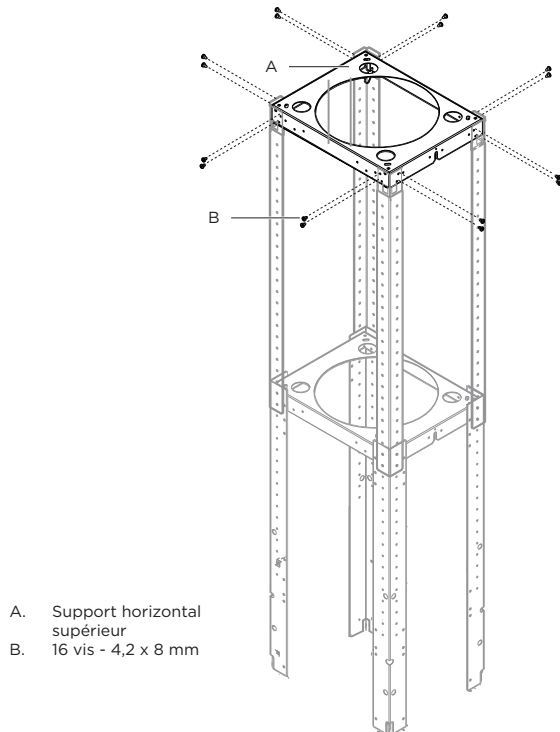
- 5 Installez le support horizontal inférieur avec 8 vis de 4,2 x 8 mm.



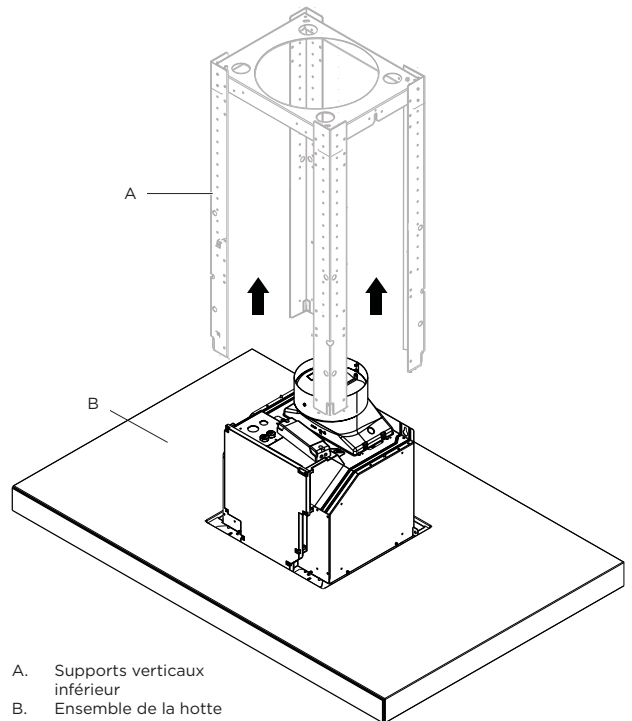
- 6 Installez les 4 supports verticaux avec 16 vis de 4,2 x 8 mm.



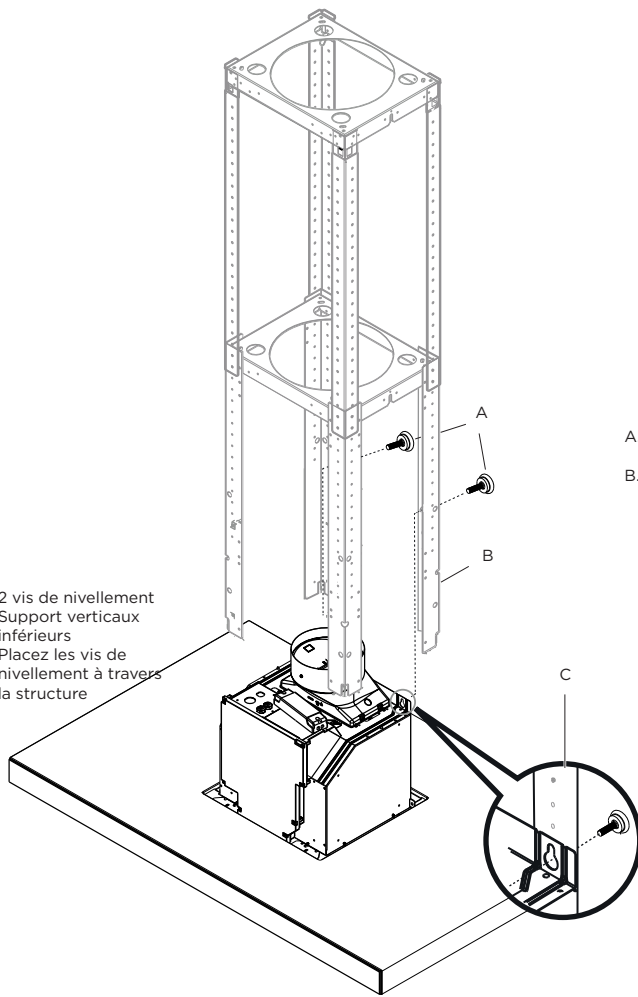
- 7 Installez le structure au le support horizontal avec 16 vis de 4,2 x 8 mm.



- 8 À l'aide d'au moins 2 personnes, soulever l'ensemble de la hotte sous la structure.

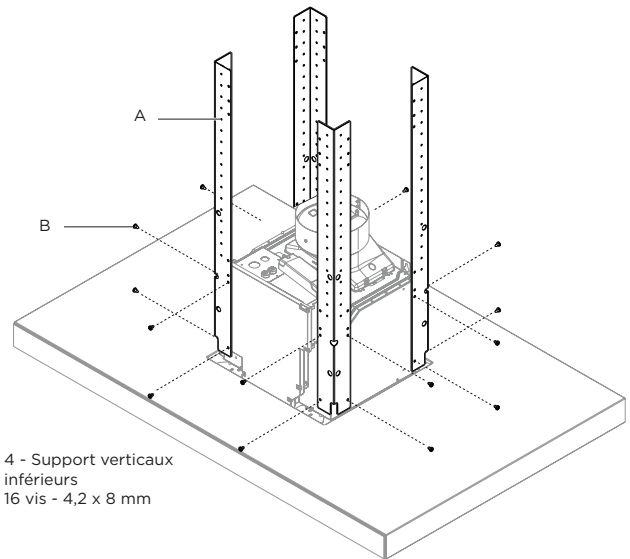


9 Attacher l'ensemble de la hotte aux supports verticaux inférieur avec 2 vis de nivellement.



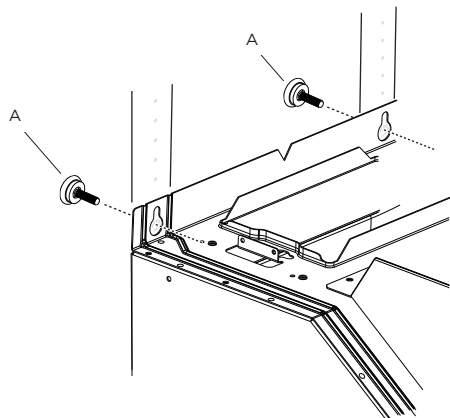
- A. 2 vis de nivellement
- B. Support verticaux inférieurs
- C. Placez les vis de nivellement à travers la structure

10 Installez les 4 supports verticaux avec 16 vis de 4,2 x 8 mm.



- A. 4 - Support verticaux inférieurs
- B. 16 vis - 4,2 x 8 mm

11 Retirer les 2 vis de nivellement de la structure.



- A. 2 vis de nivellement

Connexion électrique

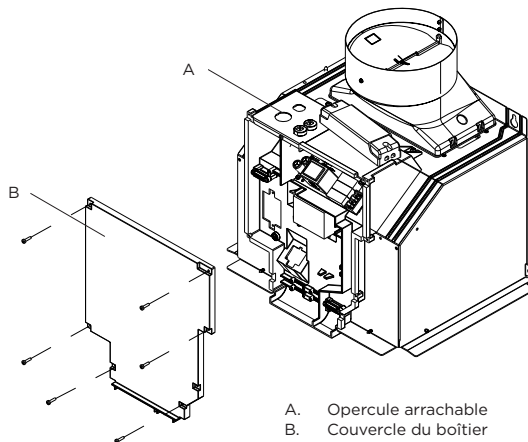
I AVERTISSEMENT

POUR RÉDUIRE LE RISQUE D'INCENDIE, UTILISER UNIQUEMENT DES CONDUITS MÉTALLIQUES. RISQUE DU POIDS EXCESSIF.

I AVERTISSEMENT

ETEIGNEZ CIRCUIT D'ALIMENTATION AU NIVEAU DU PANNEAU DE SERVICE AVANT DE RACCORDER CET APPAREIL. EXIGENCE 120 V C.A., CIRCUIT DE DÉRIVATION DE 15 V C.A., 20 HZ, DE 15 OU 20 A.

- En faisant face à l'avant de la hotte, retirez l'alvéole défonçable de gauche et le couvercle de la boîte de jonction et installez un connecteur de canalisation (Listé dans cULus) dans la boîte de jonction.

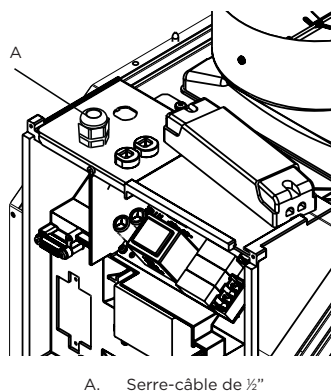


INSTRUCTIONS DE MISE À LA TERRE

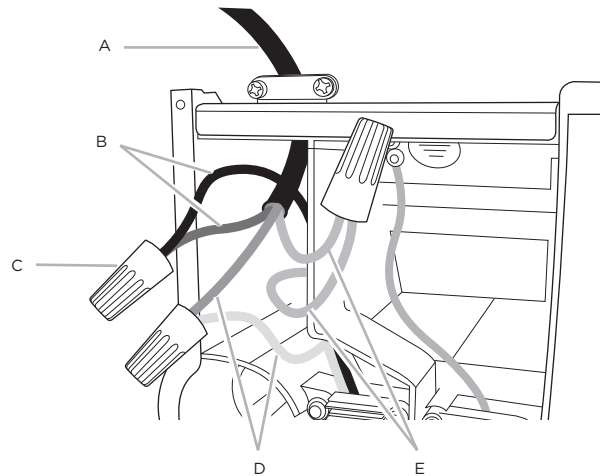
Cet appareil est muni d'une boîte de jonction électrique à trois fils, dont l'un (vert/jaune) sert à mettre l'appareil à la terre. Pour vous protéger contre les chocs électriques, vous devez raccorder le fil vert/jaune au fil de mise à la terre du système électrique de votre maison. En aucune circonstance ce fil doit être coupé ou enlevé.

Le fait de ne pas respecter cette directive peut entraîner la mort ou un choc électrique.

- Ôter l'opercule arrachable du boîtier de connexion et installer un serre-câble de 1/2" (homologation UL ou CSA).



- Acheminer le cordon d'alimentation du domicile à travers le serre-câble, dans le boîtier de connexion.
- Connecter ensemble les conducteurs noirs (B) à l'aide de connecteurs de fils (homologation UL).
- Connecter ensemble les conducteurs blancs (D) à l'aide de connecteurs de fils (homologation UL).



- | | |
|--|---|
| A. Câble d'alimentation électrique du domicile | D. Conducteurs blancs |
| B. Conducteurs noirs | E. Conducteurs verts (ou nus) ou vert-jaune de liaison à la terre |
| C. Serre-câble (homologation UL ou CSA) | |

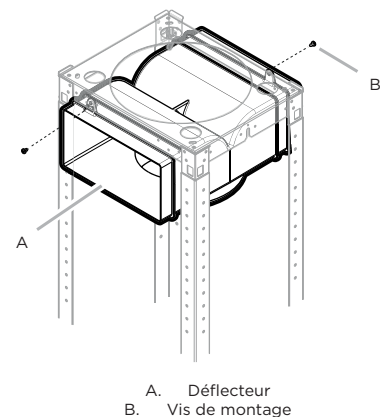
- À l'aide des connecteurs de fils (homologation UL), connecter le conducteur de liaison à la terre (vert ou nu) du câble d'alimentation du domicile au conducteur vert-jaune de liaison à la terre (E) dans le boîtier de connexion.
- Serrer la vis du serre-câble.
- Installer le couvercle du boîtier de connexion.
- Vérifier que chaque ampoule est bien insérée dans sa douille.
- Reconnecter la source de courant électrique.

Achever l'installation

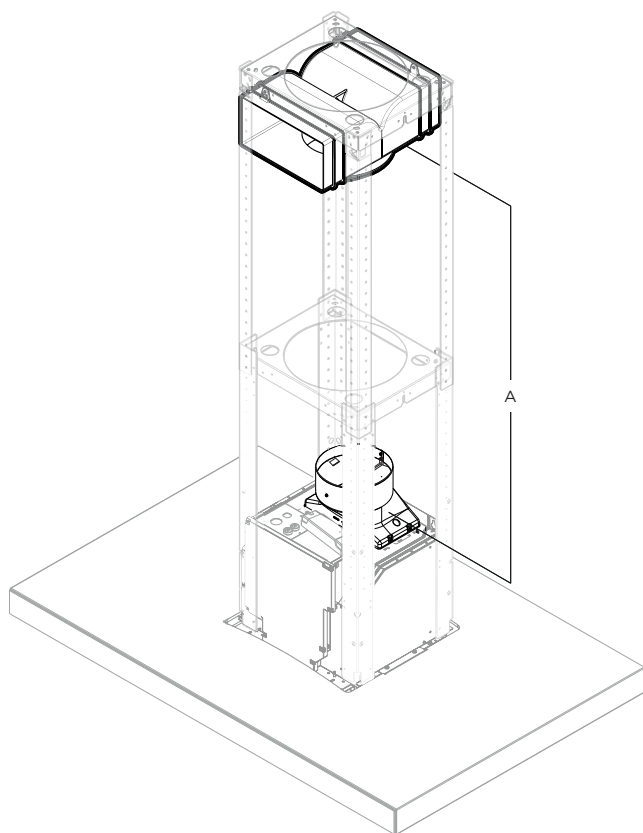
POUR NON INDÉPENDANTE (recirculation) VERSION
(Utilisation Kit Recirculating modèle KITO2665)

Installation du déflecteur

- Assembler le déflecteur d'air avec le support horizontal supérieur à l'aide des 2 vis fournies.



- Prendre les mesures du fond du déflecteur d'air au fond de la sortie de la hotte, comme indiqué sur la figure.



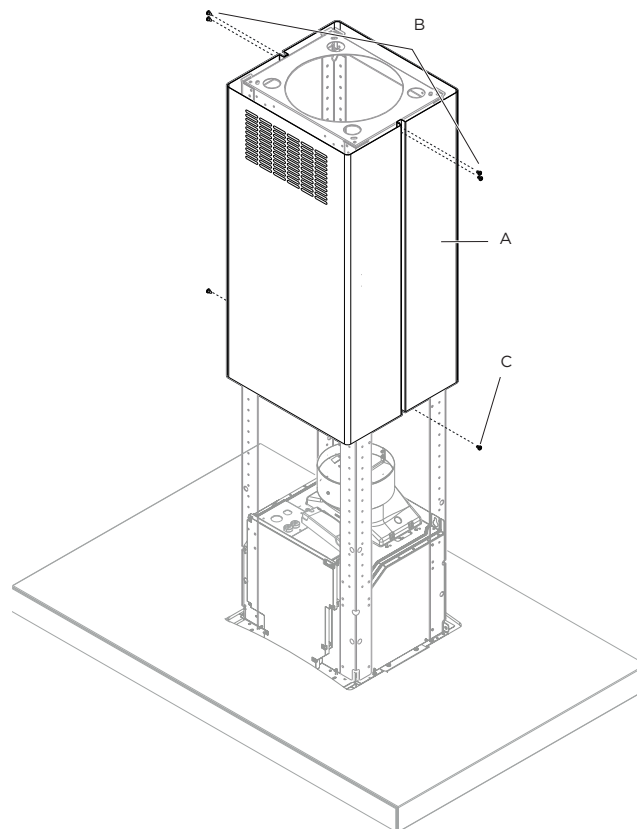
A. Dimension à mesurer

- Couper le conduit à la dimension mesurée.
- Glisser le conduit dans le fond du déflecteur.
- Placer le conduit assemblés sur la sortie d'évacuation de la hotte.
- Utiliser de la toile isolante pour sceller le déflecteur et à l'extrémité de l'évacuation extérieure de la hotte.
- Placez les filtres à charbon. Voir la section "Entretien".

Installation des cache-conduits (version à/sans conduit)

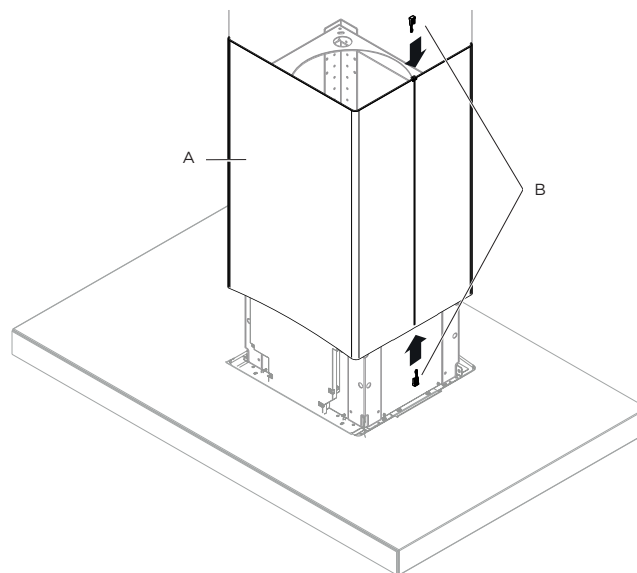
- Fixer la partie supérieure des cache-conduits à l'aide de 6 vis de 3,5 x 6,5 mm.

REMARQUE: Pour une installation sans décharge à l'extérieur (recyclage), les fentes de la partie supérieure des cache-conduits seront visibles une fois assemblés. Pour les installations avec décharge à l'extérieur, les fentes de la partie supérieure des cache-conduits seront dissimulées par la partie inférieure.



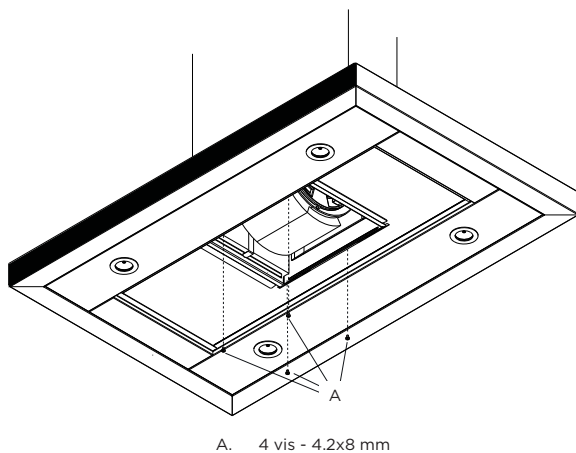
A. Partie supérieure des cache-conduits
B. 4 vis - 3,5 x 6,5 mm
C. 2 vis - 2,9 x 3 mm

- Fixer ensemble les parties inférieures des cache-conduits sur le sommet à l'aide de 4 chevilles en plastique.

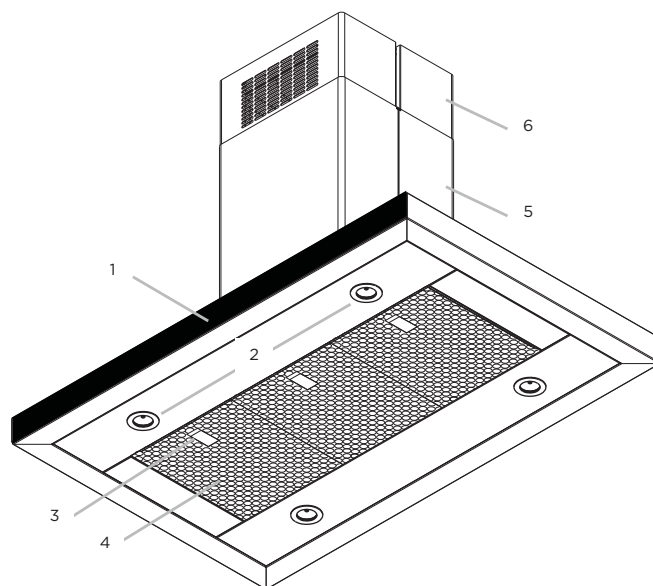


A. Partie inférieure des cache-conduits
B. 4 - Duct support couvercle en plastique

- Fixer la partie inférieure du cache-conduit à l'avant de la hotte de cuisinière en utilisant 4 vis - 4,2 x 8 mm



Description de la hotte



1. Commandes du ventilateur et lampes
2. Lampes DEL
3. Poignée du filtre à graisse
4. Filtre à graisse
5. Conduit de cheminée inférieur
6. Conduit de cheminée supérieur



1. Bouton OFF moteur (stand by)
2. Bouton de sélection vitesse (puissance d'aspiration) basse - le clignotement indique la nécessité de laver le filtre à graisse.
3. Bouton de sélection vitesse (puissance d'aspiration) moyenne.
4. Bouton de sélection vitesse (puissance d'aspiration) haute.
5. Bouton de sélection vitesse (puissance d'aspiration) intensive - durée de 5 minutes et ensuite la hotte revient à la vitesse (puissance d'aspiration) moyenne. La touche clignote dans pour indiquer la temporisation de la vitesse.
6. Bouton ON / OFF éclairage
Appuyez brièvement pour allumer ou éteindre l'éclairage de la hotte. Appuyez et maintenez pour ajuster l'intensité de la lumière.

Indicateurs de Saturation filtres:


À intervalles réguliers, la hotte indique la nécessité d'effectuer l'entretien des filtres.

Touche  éclairée à lumière fixe:
Effectuer l'entretien du filtre à graisse.

Touche  éclairée clignotante:
Effectuer l'entretien du filtre à charbon actif.

Remarque: L'indication de la saturation des filtres est visible pendant la première minute après l'arrêt de la hotte; dans ce délai, la réinitialisation des indicateurs de saturation doit être effectuée.


Reset indicateurs de saturation filtres:

Appuyez longuement sur la touche 

Activation indicateur de saturation filtre à charbon actif

Remarque: Cette opération doit être effectuée avec la hotte éteinte. Cet indicateur est normalement désactivé, appuyez

longuement sur la touche  pour activer la fonction: la touche est éclairée à lumière fixe.

Pour désactiver la fonction, appuyez longuement sur la touche  : la touche est éclairée à lumière clignotante.

Avant d'utiliser la hotte:

Certains États et provinces des États-Unis et du Canada limitent l'évacuation d'air maximal des hottes de cuisine. L'évacuation d'air est mesuré en pieds cubes par minute (CFM). Ces niveaux maximaux autorisés sont détaillés dans le code local de votre région. Vérifiez les codes locaux pour savoir si vous devez restreindre le flux d'air maximum de votre hotte. Si votre code local exige un niveau maximal d'évacuation d'air au-dessous du maximal d'évacuation de ce hotte (c.-à-d. 600 CFM), exécutez la suivant procédure pour réduire le débit d'air.



- 1 Désactiver le moteur.
- 2 Appuyez sur les touches ON / OFF (1) et Vitesse Intensive (5) ensemble pendant 3 secondes. Vous entendrez un bip et toutes les lumières de contrôle s'allumeront pendant 3 secondes. Les 3ème et 4ème vitesses seront désactivées et effectively lower the Maximum airflow to <300 CFM.
- 3 Localisez l'étiquette de certification CFM dans le sac de matériel.
- 4 Pelez et attachez cette étiquette à une zone visible dans la hotte. Cette étiquette garantit à votre inspecteur local que le le flux d'air maximum de cette hotte a été réduit à <300 CFM.

I **ATTENTION!**

Before performing any maintenance operation, isolate the hood from the electrical supply by switching off at the connector and removing the connector fuse.

Or if the appliance has been connected through a plug and socket, then the plug must be removed from the socket.

Nettoyage

Ne pas vaporiser de nettoyeurs directement sur le panneau de contrôle lors du nettoyage de la Hotte La hotte doit être régulièrement nettoyée à l'intérieur et à l'extérieur (au moins à la même fréquence que pour l'entretien des filtres à graisse). Pour le nettoyage, utiliser un chiffon humidifié avec un détergent liquide neutre. Ne pas utiliser de produit contenant des abrasifs. Ne pas utiliser de nettoyeurs à base de chlore. **NE PAS UTILISER D'ALCOOL!**

I **ATTENTION**

Il y a risque d'incendie si vous ne respectez pas les instructions concernant le nettoyage de l'appareil et le remplacement ou le nettoyage du filtre.

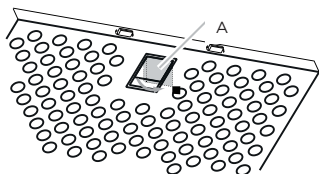
La responsabilité du constructeur ne peut en aucun cas être engagée dans le cas d'un endommagement du moteur ou d'incendie liés à un entretien négligé ou au non respect des consignes de sécurité précédemment mentionnées.

Filtre à graisse

Il retient les particules de graisse issues de la cuisson. Le filtre doit être nettoyé une fois par mois avec des détergents non agressifs, à la main ou dans le lave-vaisselle à faibles températures et cycle rapide.

Le lavage du filtre anti-graisse métallique au lave-vaisselle peut en provoquer la décoloration. Toutefois, les caractéristiques de filtrage ne seront en aucun cas modifiées.

Pour démonter le filtre anti-graisse, tirer la poignée de décrochement à ressort.



A. Poignée à ressort

Remplacement de la lampe à DEL

Les lumières DEL sont remplaçables par un technicien de service seulement. Voir les informations de contact de service: "Qui contacter".

Filtres à charbon

Cuando la campana sea utilizada en modo recirculante, para reducir el riesgo de incendio y choque eléctrico use solo los accesorios con los modelos:

Kit Recirculante: KITO2665

Kit de Filtro de Carbón: KITO2667

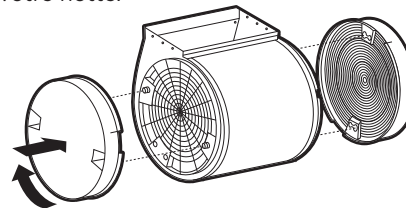
Si le système n'a pas d'évacuation vers l'extérieur, l'air va circuler à travers des filtres à charbon jetables qui vont aider à éliminer fumée et odeurs.

- 1 Posez le filtre à charbon comme couverture de la grille qui protège le moteur aspirant de manière que les fentes présentes sur le filtre correspondent aux pivots sur les côtés de la grille protège-moteur.
- 2 Tournez le filtre à charbon dans le sens des aiguilles d'une montre pour le bloquer (fixation à baïonnette).

REMARQUE: Les filtres à charbon ne peuvent pas être nettoyés. Il doit être remplacé tous les 4-6 mois (selon l'utilisation de la hotte).

REMARQUE: NE PAS rincer ou mettre les filtres à charbon dans un lave-vaisselle automatique.

REMARQUE: Les filtres à charbon ne sont pas inclus avec la hotte. Ils doivent être commandés auprès de votre fournisseur. Commandez le kit nécessaire en spécifiant le modèle et la largeur de votre hotte.



ELICA North America

GARANTIE DE DEUX ANS

POUR OBTENIR UN DEPANNAGE SOUS GARANTIE

Le propriétaire doit présenter une preuve de la date d'achat. Garder une copie de votre preuve d'achat datée (ticket de caisse) de façon à pouvoir bénéficier du service après-vente sous garantie.

GARANTIE PIECES DE RECHANGE ET MAIN D'OEUVRE

Pendant une période de deux (2) ans à partir de la date d'achat, Elica s'engage à fournir gratuitement les pièces de rechange ou les composants autres que les recharges ayant des défauts de fabrication.

Durant cette garantie de deux (2) ans, Elica fournira également gratuitement, toute la main d'oeuvre et le service à domicile pour remplacer d'éventuelles pièces défectueuses.

CE QUE LA GARANTIE NE COUVRE PAS

- Dégât ou panne du produit causé par un accident ou un cas de force majeure tels que inondation, incendie ou tremblement de terre.
- Dégât ou panne du produit causé par modification du produit ou utilisation de pièces pas d'origine.
- Dégât ou panne du produit causé lors de la livraison, de la manipulation ou de l'installation.
- Dégât ou panne du produit causé par une mauvaise utilisation.
- Dégât ou panne du produit causé par un remplacement des fusibles ou une remise en fonction des disjoncteurs par le propriétaire.
- Dégât ou panne du produit causé par une utilisation du produit pour raison commerciale.
- Déplacement à domicile pour explication d'utilisation ou d'entretien.
- Ampoules, filtres métalliques ou au charbon et toute autre pièce consommable.
- Usure normale.
- Usure due à une mauvaise utilisation du propriétaire, un entretien incorrect, une utilisation de substances nettoyantes corrosives ou abrasives et produits de nettoyage pour four.

QUI EST COUVERT

Cette garantie s'étend à l'acheteur original de produits achetés pour un usage domestique habituel en Amérique du Nord (Y compris Etats Unis, Guam, Porto Rico, les Iles virgin Américaines & le Canada).

Cette garantie n'est pas transférable et vaut uniquement pour l'acheteur original et ne s'étend pas aux propriétaires successifs du produit. Cette garantie vaut expressément en lieu et place de toute autre garantie, expresse ou sous-entendue, mais ne limite pas toute autre garantie sous-entendue de marchandage ou adaptation dans un but particulier et toute autre obligation de la part de Elica North America, étant entendu, cependant, que si la réclamation pour garanties sous-entendues n'est pas applicable aux yeux de la loi en vigueur, la durée de toute garantie sous-entendue émanant de la loi doit être limitée à deux (2) ans à partir de la date d'achat du produit ou à une période plus longue selon ce que dit la loi en vigueur.

Cette garantie ne couvre pas tout dégât particulier, accidentel et/ou consécutif, ni les pertes et profits, à charge du propriétaire, des ses clients et/ou des utilisateurs Des produits.

QUI CONTACTER

Pour obtenir un Service Après-vente durant la Garantie ou pour toute autre Question liée au Service Après-vente:

Appeler:

- Service Après-vente autorisé Elica North America au (888) 732-8018
- Pour l'Est du Canada, composez le 1-888 651 2534 *Demandez le service après-vente*

Contenido

Aviso de seguridad importante.....	32
Requisitos eléctricos y de instalación.....	34
Antes de instalar la campana.....	34
Dimensiones y espacios libres.....	34
Lista de materiales.....	35
Piezas suministradas	35
Piezas no suministradas	35
Tipos de ductos y ejemplos.....	36
Instalación.....	36
Conexión eléctrica.....	40
Complete la instalación.....	41
Descripción de la campana.....	42
Control.....	42
Mantenimiento.....	44
Garantía	45

**APROBADO PARA APARATOS DE USO DOMÉSTICO
SÓLO PARA USO DOMÉSTICO
LEA Y GUARDE ESTAS INSTRUCCIONES**

**ANTES DE CONTINUAR, LEA LAS INSTRUCCIONES POR COMPLETO.
LA INSTALACIÓN DEBE CUMPLIR TODA LA NORMATIVA LOCAL.**

IMPORTANTE: Guarde estas instrucciones para su uso por parte del inspector de electricidad local.

INSTALADOR: Entregue al propietario estas instrucciones junto con la unidad.

PROPIETARIO: Conserve estas instrucciones para futuras consultas.

Advertencia de seguridad: Antes de realizar el cableado de este aparato, desactive el circuito de energía eléctrica en el panel de servicio y desbloquee el panel.

Requisito: Circuito auxiliar de 120 V AC, 60 Hz. 15 ó 20 A.

CAMPANA PURIFICADORA
 Marca: ELICA
 Modelos: EMG636S1, EMG642S1
 Contenido: 1 pza
 Hecho en México
 Fabricado por: ELICAMEX S.A. de C.V.
 Dirección: Av. La Noria No. 102 int. S/N Col.
 Parque Industrial Querétaro
 Del. Santiago de Querétaro, C.P. 76220 Querétaro,
 R.F.C. EII060102RK8



I AVISO DE SEGURIDAD IMPORTANTE

I PRECAUCIÓN

SÓLO PARA USO DE VENTILACIÓN GENERAL. NO UTILIZAR PARA EXPULSAR VAPORES O MATERIALES PELIGROSOS O EXPLOSIVOS.

I ADVERTENCIA

PARA REDUCIR EL RIESGO DE FUEGO, DESCARGA ELÉCTRICA O LESIONES PERSONALES, RESPETE LO SIGUIENTE:

- A. Utilice esta unidad solamente en el modo que indica el fabricante. En caso de duda, póngase en contacto con el fabricante.
- B. Antes de reparar o limpiar la unidad, desconecte la alimentación en el panel de servicio y bloquee los medios de desconexión del panel de servicio para evitar la conexión accidental de la alimentación. Si no es posible bloquear los medios de desconexión del panel de servicio, coloque un dispositivo de advertencia que destaque como, por ejemplo, una etiqueta, en el panel de servicio.
- C. La instalación y el cableado eléctrico deben realizarlos personas cualificadas de acuerdo con las normativas y los estándares aplicables, incluida la construcción ignífuga.
- D. Es necesaria una ventilación suficiente para la correcta combustión y expulsión de gases por la salida de humos (Chimenea) del equipo de combustión de carburante para evitar el contratiro. Siga las directrices de fabricantes de equipos de calefacción y los estándares de seguridad como los publicados por la National Fire Protection Association (NFPA), American Society for Heating, Refrigeration and Air Conditioning Engineers (ASHRAE) y las normativas locales.
- E. Al efectuar orificios en una pared o techo, no dañe el cableado eléctrico y otras instalaciones ocultas.
- F. Los sistemas instalados mediante conducto deben tener ventilación con salida al exterior.

I PRECAUCIÓN

Para reducir el riesgo de fuego y conseguir una salida del aire correcta, asegúrese de conducir el aire hacia el exterior. No permita que el aire se expulse en espacios situados en el interior de muros, techos, desvanes, sótanos de pequeña altura o garajes.

I ADVERTENCIA

PARA REDUCIR EL RIESGO DE FUEGO, UTILICE SOLAMENTE TUBOS METÁLICOS.

Instale esta campana de acuerdo con los requisitos especificados.

I ADVERTENCIA

Para reducir el riesgo de fuego o descarga eléctrica, no utilice esta campana con ningún dispositivo externo en estado sólido para el control de la velocidad.

I ADVERTENCIA

PARA REDUCIR EL RIESGO DE INCENDIO OCASIONADO POR GRASA:

- a) No deje nunca ninguna unidad externa desatendida y con valores de fuego altos. La cocción puede causar humo o reboses de grasa que pueden prender fuego. Caliente el aceite a fuego lento o medio.
- b) Encienda siempre la campana cuando cocine a una temperatura alta o cuando realice flameados (por ejemplo, Crepas Suzette, cerezas flameadas, ternera a la pimienta flameada).
- c) Limpie con frecuencia los ventiladores. No permita que la grasa se acumule en el ventilador o filtro.
- d) Utilice un tamaño de sartén adecuado. Utilice siempre piezas de batería de cocina adecuadas al tamaño del elemento de superficie.

I ADVERTENCIA

PARA REDUCIR EL RIESGO DE LESIONES PERSONALES, EN CASO DE FUEGO OCASIONADO POR GRASA, TENGA EN CUENTA LO SIGUIENTE:^a

- a) EXTINGA LAS LLAMAS con una tapa ajustada, una lámina para hacer galletas u otro tipo de bandeja metálica y apague el quemador de gas o elemento eléctrico. TENGA CUIDADO PARA EVITAR QUEMADURAS. Si las llamas no se extinguen inmediatamente, DESALOJE EL LUGAR Y LLAME A LOS BOMBEROS.
- b) NUNCA TOME UNA SARTÉN EN LLAMAS, podría sufrir quemaduras.
- c) NO UTILICE AGUA, incluidas bayetas o toallas húmedas ya que se produciría una violenta explosión de vapor.
- d) Utilice un extintor SÓLO si:
 - 1) Sabe que dispone de un extintor de la clase ABC y conoce su funcionamiento.
 - 2) El fuego es pequeño y se encuentra en la misma zona donde se inició.
 - 3) Ha llamado a los bomberos.
 - 4) Puede luchar contra el fuego teniendo una salida a su espalda.

^aBasado en "Consejos de seguridad para fuegos se cocina" publicado por NFPA.

FUNCIONAMIENTO

Coloque siempre las rejillas y los filtros de seguridad en su lugar correspondiente. Sin estos componentes, los ventiladores en funcionamiento podrían atrapar su pelo, sus dedos o su ropa.

El fabricante declina toda responsabilidad en caso de fallo de cumplimiento de las instrucciones aquí facilitadas para la instalación, el mantenimiento y el uso adecuado del producto. El fabricante declina además toda responsabilidad por daños ocasionados por negligencia y la garantía de la unidad queda cancelada automáticamente como consecuencia de un mantenimiento incorrecto.

I PRECAUCIÓN

Equipo operado automáticamente - para reducir el riesgo de lastimarse desconecte de la línea antes de dar servicio.

- Electrodoméstico diseñado exclusivamente para su uso en interiores.
- Limpie la unidad de acuerdo a las instrucciones descritas en este manual para evitar riesgo de incendio.
- En caso de que su cordón de alimentación llegase a sufrir un daño parcial o total no trate de repararlo. Acuda al centro de servicio marcado en su garantía o bien con un técnico especialista para su sustitución.
- Es necesario que haya suficiente aire para la adecuada combustión y ventilación de gases a través del conducto (la chimenea) del equipo que consume combustible, para evitar que ocurra contratiro. Siga la guía y los estándares de seguridad del fabricante del equipo de calefacción.
- El aire de descarga no debe enviarse a través de un conducto que se utilice para evacuar los humos de los aparatos que consumen gas u otros combustibles.
- Cuando corte o taladre en una pared o techo, no dañe el cableado ni otros servicios públicos.
- Los ventiladores con conductos siempre deben dar salida al aire hacia el exterior.
NOTA: Sólo para versión Aspirante.
- Para usarse solamente en ventilación común. No lo utilice para ventilar materiales y vapores peligrosos o explosivos.
- Sólo use conductos metálicos.
- Deben de cumplirse las regulaciones que se relacionen con la evaluación de la descarga de aire

RECOMENDACIONES GENERALES

- Nunca deje las unidades de superficie sin vigilancia cuando estén en ajustes altos. Los derrames por hervor causan salpicaduras grasosas y humeantes, las cuales pueden encenderse. Caliente los aceites lentamente y con ajustes bajos o medios.
- Siempre ENCIENDA LA CAMPANA cuando cocine.
- Limpie los filtros anti-grasa con frecuencia (al menos cada 2 meses). No permita que se acumule la grasa en el filtro. Aplica para filtros de aluminio.
- Se recomienda cambiar los filtros de carbón cada 6 meses.
- No flamear alimentos bajo la campana de cocina.
- Use cacerolas del tamaño adecuado. Siempre use utensilios de cocción que sean los adecuados para el tamaño del elemento de la superficie.
- Este aparato no se destina para utilizarse por personas (incluyendo niños) cuyas capacidades físicas, sensoriales o mentales sean diferentes o estén reducidas o carezcan de experiencia o conocimiento a menos que dichas personas reciban supervisión o capacitación del funcionamiento del aparato por una persona responsable de su seguridad.
- Los niños deben supervisarse para asegurar que ellos no empleen los aparatos como juguete.
- No use el ventilador de la campana con ningún dispositivo semiconductor para el control de la velocidad.

REQUISITOS ELÉCTRICOS Y DE INSTALACIÓN

IMPORTANTE

Cumpla todas las normativas y ordenanzas gubernamentales. Es responsabilidad del cliente:

- Ponerse en contacto con un instalador eléctrico cualificado.
- Asegurarse de que la instalación eléctrica es adecuada y en conformidad con National Electrical Code, ANSI/NFPA 70 (última edición*) o CSA Standards C22.1-94, Canadian Electrical Code, Parte 1 y C22.2 No.0-M91 (última edición*) y toda la normativa y las ordenanzas locales.
- Si la normativa lo permite y se utiliza un cable de toma a tierra independiente, se recomienda que un electricista cualificado determine si la difracción de onda de tierra es la adecuada.
- No ubique la toma a tierra en una tubería de gas.
- Si no está seguro de que la campana está correctamente conectada a tierra, consulte a un electricista cualificado.
- No coloque ningún fusible en el circuito neutral o con vuelta por tierra.

IMPORTANTE

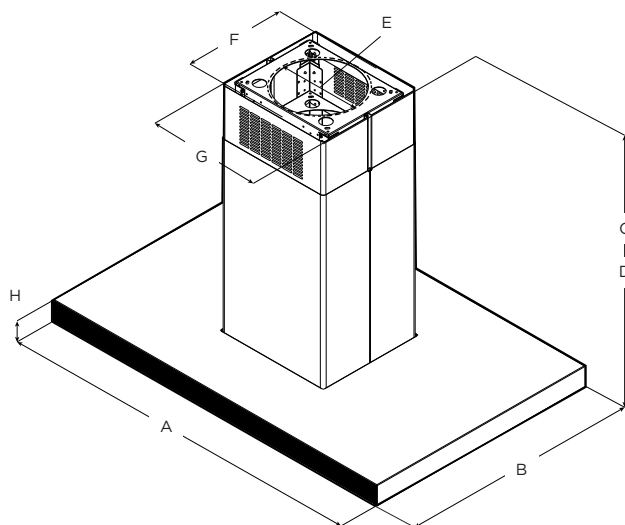
- Guarde las instrucciones de instalación para su uso por parte del inspector de electricidad.
- La campana debe estar conectada únicamente con hilo de cobre.
- La campana debe estar conectada directamente al desconectador con fusible (o disyuntor) mediante canal metálico de cables eléctricos.
- Los tamaños de cable deben cumplir los requisitos de la National Electrical Code, ANSI/NFPA 70 (última edición*) o CSA Standards C22.1-94, Canadian Electrical Code, Parte 1 y C22.2 No.0-M91 (última edición*) y toda la normativa y las ordenanzas locales.
- Es preciso colocar un conector de canal de cables enumerado en U.L. o C.S.A. en cada extremo del canal de cables de fuente de alimentación (en la campana y en la caja de conexiones).

ANTES DE INSTALAR LA CAMPANA

- 1 Para obtener una circulación del flujo de aire más eficaz, utilice un tubo de tramo recto o el menor número posible de tubos acodados.
PRECAUCIÓN: el conducto de ventilación solamente debe tener salida hacia la parte exterior del edificio.
- 2 Para realizar la instalación, se necesitan al menos dos personas.
- 3 La campana se ajusta mediante material adecuados para la mayoría de superficies; consulte a un instalador cualificado para comprobar si quedan perfectamente ajustados al armario o a la pared.
No emplee tubos flexibles.
- 4 Las instalaciones en CONDICIONES CLIMÁTICAS FRÍAS deben tener instalado un regulador de contratiro adicional para minimizar el flujo de aire inverso y una rotura térmica no metálica para minimizar la conducción de temperaturas externas como parte de los tubos. El regulador debe encontrarse en la parte de aire frío de la rotura térmica. La rotura debe estar lo más cerca posible al lugar donde los tubos entran en la parte caliente de la casa.
- 5 Aire limpio: Las normativas locales para edificios pueden requerir el uso de sistemas de aire limpio cuando se utilizan sistemas de ventilación mediante tubos superiores al CFM especificado de movimiento de aire.
- 6 El CFM especificado varía de una zona a otra. Para conocer los requisitos específicos de su zona, consulte a un profesional de HVAC.

Se pueden obtener copias de los estándares enumerados en:
* National Fire Protection Association Batterymarch Park Quincy, Massachusetts 02269
** CSA International 8501 East Pleasant Valley Road Cleveland, Ohio 44131-5575

DIMENSIONES Y ESPACIOS LIBRES



	Modelos	
	EMG636S1	EMG642S1
A	36" (91.4 cm)	42" (106.7 cm)
B	27 ⁷ / ₈ " (68.9 cm)	
C*	Min: 29 ¹³ / ₁₆ " (75.7 cm) Max: 50 ⁷ / ₈ " (127.3 cm)	
D**	Min: 29 ¹³ / ₁₆ " (75.7 cm) Max: 44 ⁷ / ₈ " (114 cm)	
E	6" (15.9 cm)	
F	12" (30.4 cm)	
G	13" (33.24 cm)	
H	2 ³ / ₈ " (6 cm)	

* Solamente en la versión sin tubos (Recirculación)
** Solamente en la versión con tubos

LISTA DE MATERIALES

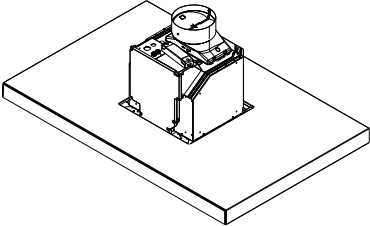
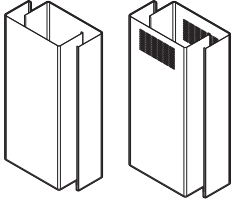

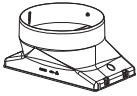



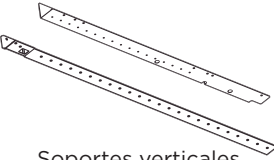





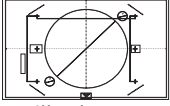
Remoción de la confección

PRECAUCIÓN

Quite la caja cuidadosamente, use guantes para protegerse contra los bordes afilados.

ADVERTENCIA

Quite la película de protección que cubre el producto antes de ponerlo en funcionamiento.

Piezas suministradas	Piezas	Piezas suministradas	Piezas
 <p>Campana y lámparas LED previamente instaladas</p>	1	 <p>Cubiertas del conducto</p>	Superior: 2 Inferior: 2
 <p>5x45 mm</p>	4	 <p>Transición redonda de 6"</p>	1
 <p>4.2x8 mm</p>	60	 <p>Soportes del conducto</p>	4
 <p>3.5x9.5 mm</p>	2	 <p>Soportes verticales</p>	Superior 4 Inferior: 4
 <p>3.5x6.5 mm</p>	4		
 <p>2.9x3 mm</p>	2		
 <p>Tornillos niveladores</p>	2	 <p>Adaptadores Torx</p>	#10: 1 #20: 1
 <p>8x40 mm</p>	4	 <p>Plantilla de montaje</p>	1

Piezas no suministradas

Herramientas/Materiales necesarios

- Tapones de cable
- Cinta para montar la plantilla
- Conducto redondo de 6" (15.2 cm)
- Cinta Métrica
- Cutter
- Pinzas para cortar y pelar cable
- Nivel
- Alicates
- Cinta de aislar
- Lentes de seguridad
- Masking tape
- Martillo
- Destornilladores:
 - Phillips (Posidrive) #2
 - TORX #10, #20
- Tapones para cable
- Taladro con brocas: 5/16" y 3/8"
- Guantes de protección
- Retén de cable
- Caladora o Taladro

Accesorios opcionales

KIT	# Pieza
Kit Recirculante	KIT02665
Extensión para Chimenea	KIT0100317
Filtro de carbón de reemplazo	KIT02667

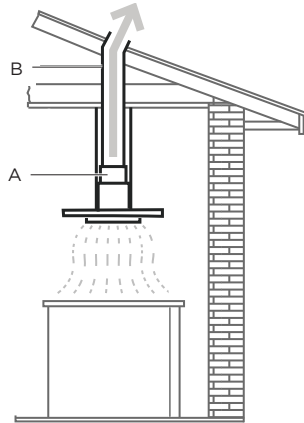
Tipos de ductos

Siga detenidamente las instrucciones expuestas en este manual.

Se declina toda responsabilidad de cualquier inconveniencia, daños o incendios eventuales ocasionados por el incumplimiento de las instrucciones de este manual.

Salida de escape

La campana está equipada con una transición redonda de 6" (15.2 cm) para descargar gases y vapor procedentes de la cocina al exterior.

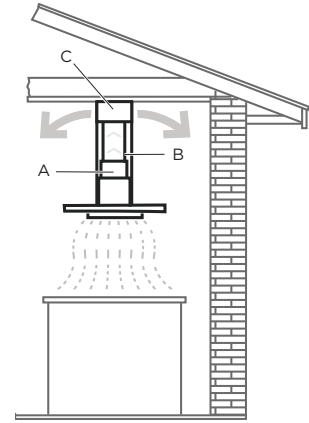


- A. Transición redonda de 6" (15.2 cm)
- B. Ducto de escape redondo de 6" (15.2 cm)

Sin ducto de escape (recirculante)

En caso de que no sea posible la descarga de gases y del vapor procedentes de la cocina al exterior, la campana se puede utilizar en la versión sin tubos (Recirculación).

Coloque un filtro de carbono activado y el deflector en el soporte de sujeción de la cubierta de tubo. Los gases y vapores se reciclan a través de la rejilla superior mediante un conducto conectado al cambio de sección y el cambio de sección montado en el deflector. Vea la sección de accesorios opcionales.



- A. Transición redonda de 6" (15.2 cm)
- B. Ducto de escape redondo de 6" (15.2 cm)
- C. Deflector

Preparación

No corte una vigueta o un perno a menos que sea absolutamente necesario. Si fuera necesario efectuar el corte, deberá construirse un marco de soporte.

Se suministra el material de ajuste necesario para fijar la campana a la mayoría de tipos de muro o techo.

No obstante, un técnico cualificado debe comprobar la idoneidad de los materiales de acuerdo con el tipo de muro o techo.

Antes de efectuar algún corte, asegúrese de que existe el espacio libre adecuado en el techo o muro para la expulsión del aire.

Altura de instalación:

PRECAUCIÓN

Para la instalación de estufas de gas: instale esta campana de tal manera que la cornisa inferior se encuentre a 30" (76.2 cm) sobre la superficie de cocción.

Para la instalación de estufas eléctricas/inducción: instale esta campana de tal manera que la cornisa inferior se encuentre a no menos de 24" (61 cm) sobre la superficie de cocción.

No hay una altura máxima de instalación, sin embargo, se recomienda no instalar esta campana más de 36" (91.4 cm) sobre la superficie de cocción. Por cada pulgada (2.54 cm) superior a 36", la eficiencia de la captura de humo y humedad puede disminuir y no alcanzar un nivel aceptable de desempeño. Para uso electrodoméstico.

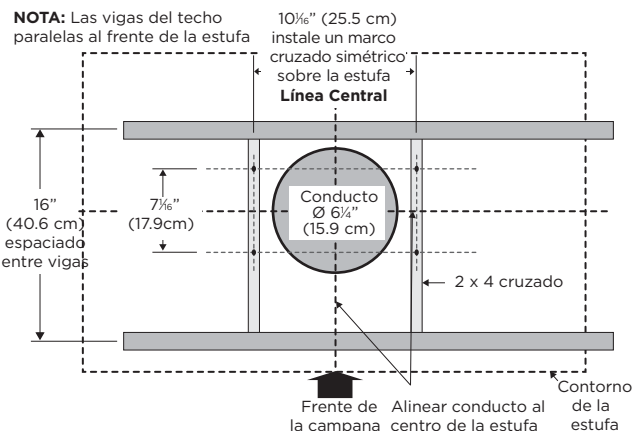
Por favor, lea el manual de instalación para una instalación específica. Antes de seleccionar la campana, compruebe la altura del techo y la altura máxima de la campana.

Instalación

Estructuras de soporte al techo

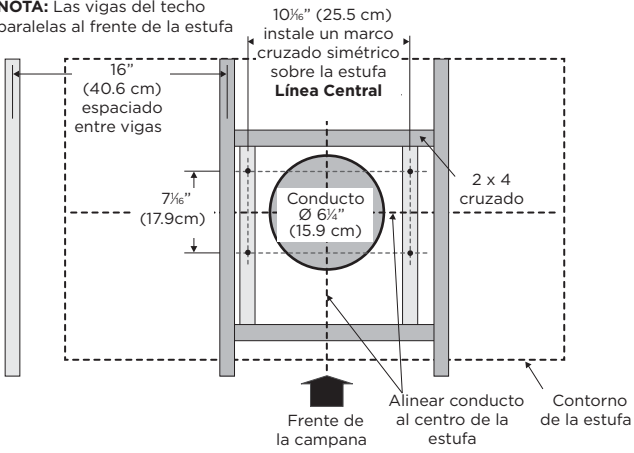
- Esta campana es pesada. Se debe proporcionar una estructura y soporte adecuado en todos los tipos de instalación.
- En la posición de la campana, instale un marco transversal de 2"x 4" entre las viguetas del techo como se muestra (se requieren de 2"x 4" para soportar el peso de la campana).
- Inserte un armazón cruzado que se ajuste a la estructura existente.
- Las viguetas de su techo son como alguno de los siguientes ejemplos:

Ejemplo A



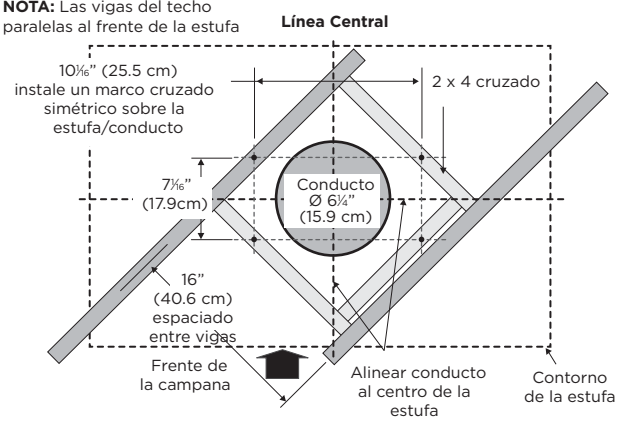
Ejemplo B

NOTA: Las vigas del techo paralelas al frente de la estufa



Ejemplo C

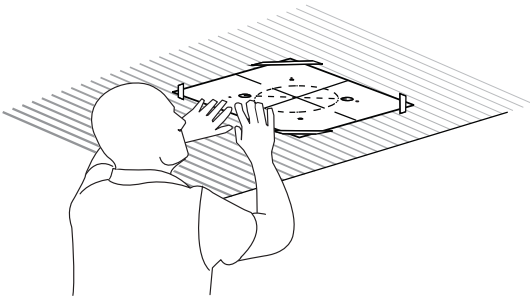
NOTA: Las vigas del techo paralelas al frente de la estufa



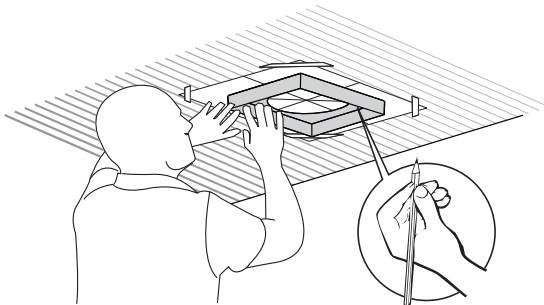
Instalación de la campana

- 1 Coloque la plantilla en el techo considerando las instrucciones para las estructuras de soporte.

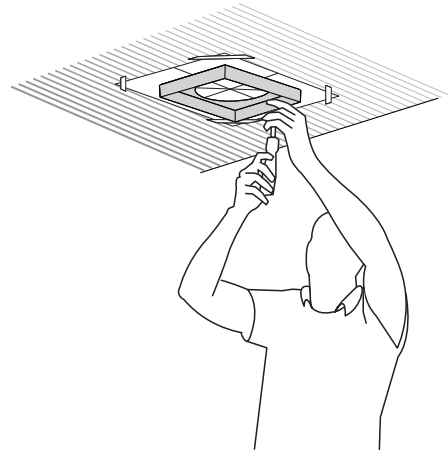
NOTA: Siempre considere la leyenda del frente de la campana cuando coloque la plantilla en el techo. Esto define la ubicación del control.



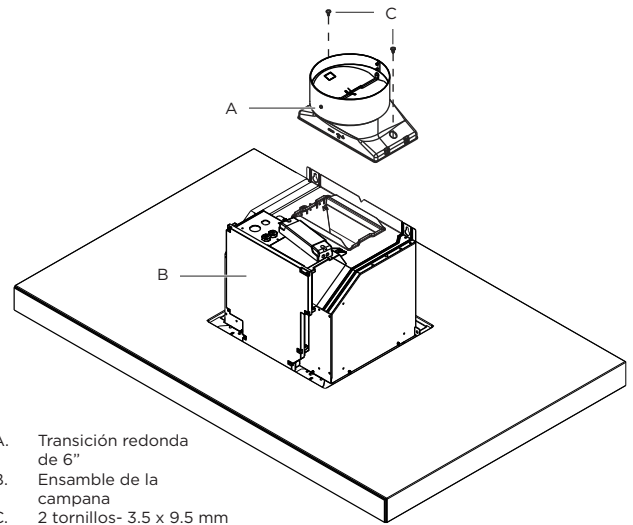
- 2 Marque con un lápiz la ubicación de los orificios para los tornillos y el conducto en el techo.



- 3 Fije el soporte horizontal superior con 4 tornillos - 5 x 45 mm.

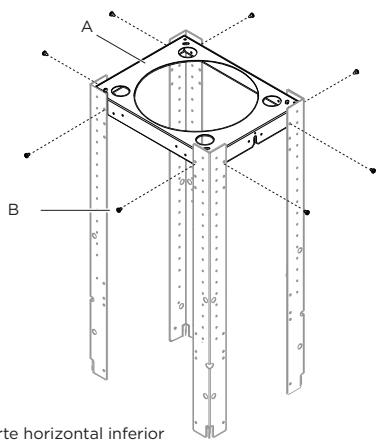


- 4 Instale la transición redonda de 6" (15.2 cm) con 2 tornillos - 3.5 x 9.5 mm.



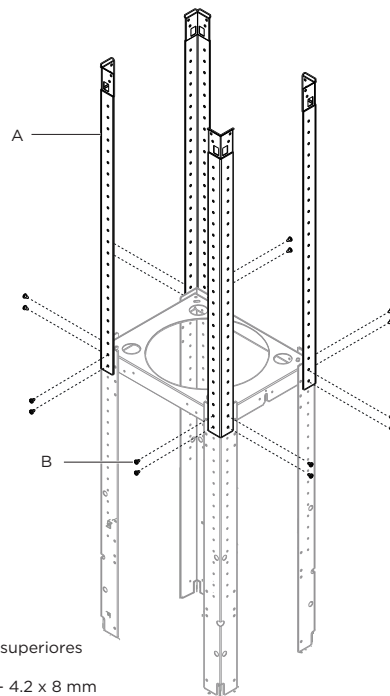
- A. Transición redonda de 6"
- B. Ensamblaje de la campana
- C. 2 tornillos- 3.5 x 9.5 mm

5 Instale el soporte horizontal inferior con 8 tornillos - 4.2 x 8 mm.



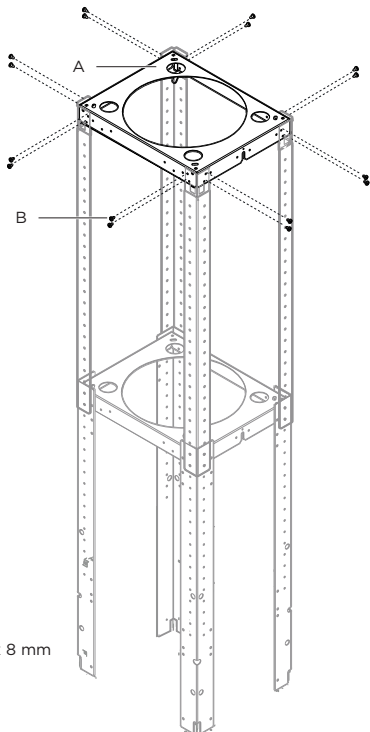
- A. Soporte horizontal inferior
- B. 8 tornillos - 4.2 x 8 mm

6 Instale los 4 soportes verticales con 16 tornillos - 4.2 x 8 mm.



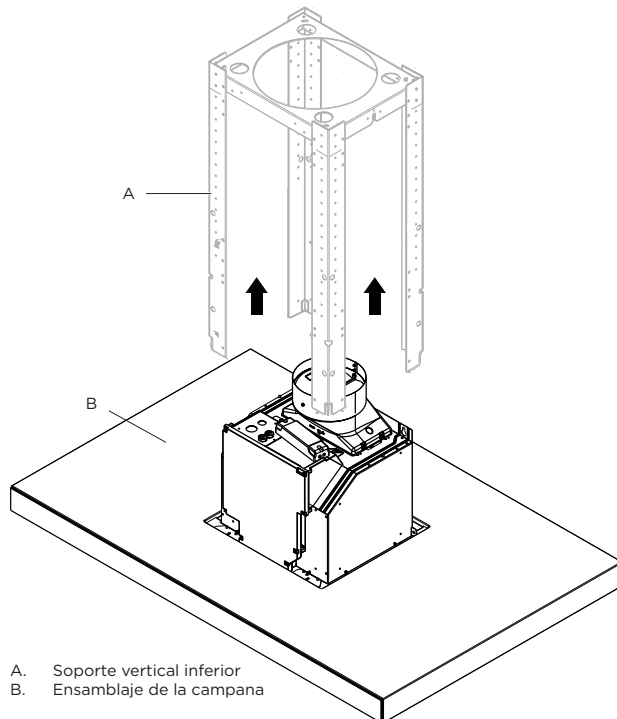
- A. 4 soportes superiores verticales
- B. 16 tornillos - 4.2 x 8 mm

7 Instale la estructura al soporte horizontal superior con 16 tornillos - 4.2 x 8 mm.



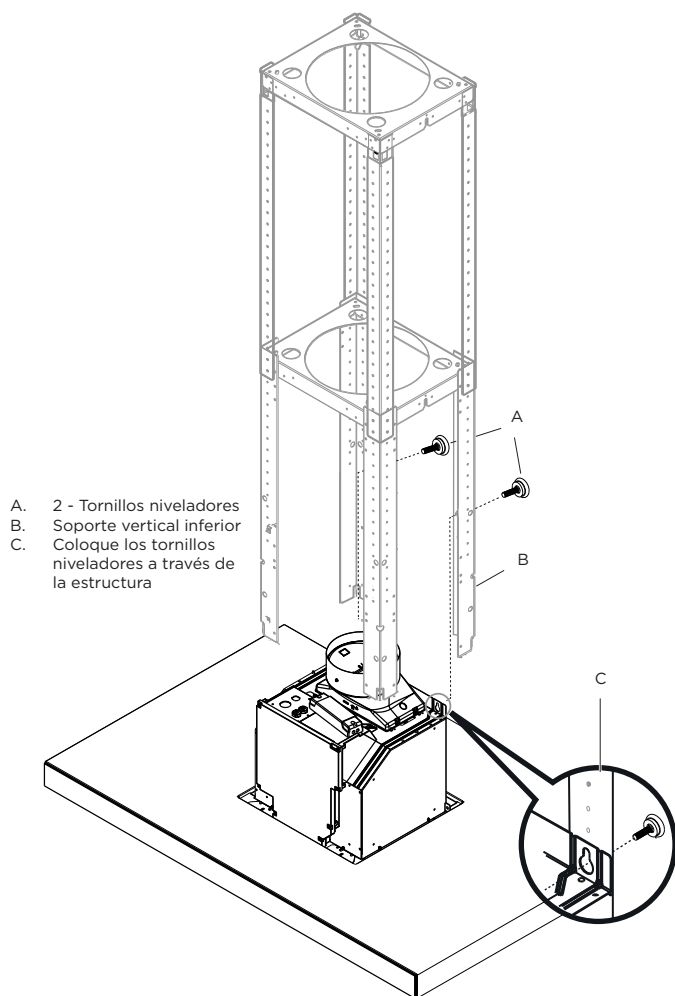
- A. Soporte superior superior
- B. 16 tornillos - 4.2 x 8 mm

8 Usando 2 ó más personas, levante el ensamblaje de la campana y colóquelo debajo de la estructura.

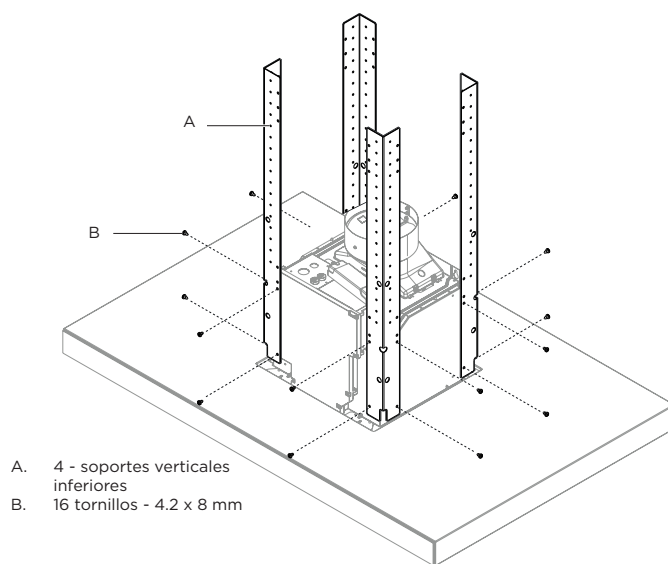


- A. Soporte vertical inferior
- B. Ensamblaje de la campana

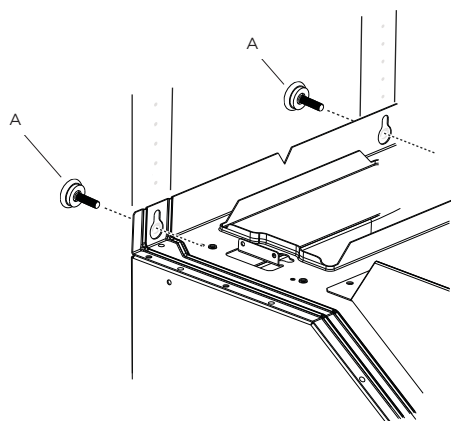
9 Fije el ensamblaje de la campana al los soportes verticales inferiores con 2 tornillos niveladores.



10 Instale los 4 soportes verticales con 16 tornillos- 4.2 x 8 mm. Revise que todo esté apretado correctamente.



11 Remueva los 2 tornillos niveladores de la estructura.



Conexión eléctrica

Características eléctricas (nominales)

Modelos	EMG636S1 EMG642S1	
Voltaje	120 V-	
Potencia	430 W	
Corriente	3.5 A	
Frecuencia	60 Hz	
Potencia Máx. de lámparas	4 x 2.5 W	
Consumo de energía	Modo de espera	0.9 W/h
	Modo de operación	358.3 W/h

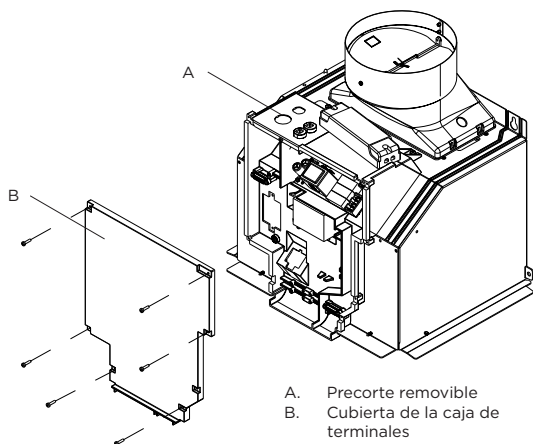
I ADVERTENCIA

PARA REDUCIR EL RIESGO DE INCENDIO, SÓLO USE CONDUCTOS METÁLICOS. PELIGRO DE CHOQUE ELÉCTRICO.

I ADVERTENCIA

ANTES DE REALIZAR EL CABLEADO DE ESTE APARATO, DESACTIVE EL CIRCUITO DE ENERGÍA ELÉCTRICA EN EL PANEL DE SERVICIO. SE REQUIERE UN CIRCUITO 120 VAC, 15 Ó 20 A.

- Situándose delante de la parte frontal de la campana extractora, retire el pestillo extraíble izquierdo y la tapa de la caja de conexiones e instale el conector de canal de cables (Enumerado en cULUS) en la caja de conexiones.



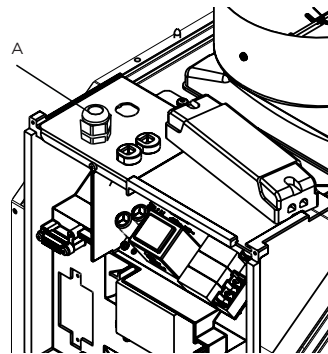
A. Precorte removible
B. Cubierta de la caja de terminales

INSTRUCCIONES DE TOMA ELÉCTRICA

Este aparato dispone de una caja de conexiones eléctricas con 3 cables, uno de los cuales (verde y amarillo) sirve como toma de tierra para el aparato para protegerse de descargas eléctricas, el cable verde y amarillo debe estar conectado al cable de toma a tierra de su sistema doméstico de electricidad y bajo ninguna circunstancia debe cortarse o eliminarse. De lo contrario, podría tener como resultado una descarga

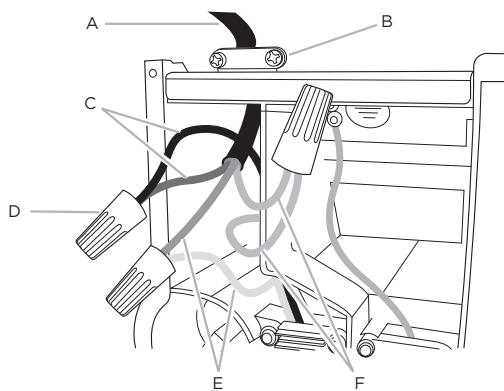
eléctrica o la muerte.

- Si no ha sido ya hecho, instalar el conducto conector de 1/2" a la caja de conexiones.



A. Conducto conector de 1/2"

- Haga pasar el cableado de suministro de energía doméstico a través del protector de cables, dentro de la caja de terminales.
- Use conectores de alambres que estén en la lista de UL y conecte los alambres negros (C) juntos.
- Use conectores de alambres que estén en la lista de UL y conecte los alambres blancos (E) juntos.



A. Cable de suministro de energía doméstico
B. Protector de cables que esté en la lista de UL o aprobado por CSA
C. Alambres negros
D. Conectores de alambres aprobados por UL
E. Alambres blancos
F. Alambres verdes (o desnudos) y amarillos - verdes de puesta a tierra

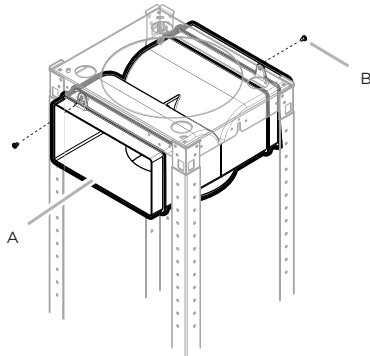
- Conecte el alambre verde (o desnudo) de puesta a tierra del suministro de energía doméstico al alambre amarillo - verde de puesta a tierra (F) en la caja de terminales usando conectores de alambres que estén en la lista de UL.
- Apriete el tornillo del protector de cables.
- Instale la cubierta de la caja de terminales.
- Cerórese de que todos los focos estén seguros en sus portalámparas.
- Reconecte el suministro de energía.

Complete la instalación

SOLAMENTE PARA VERSIÓN RECIRCULANTE
(Usando Kit Recirculante modelo KITO2665)

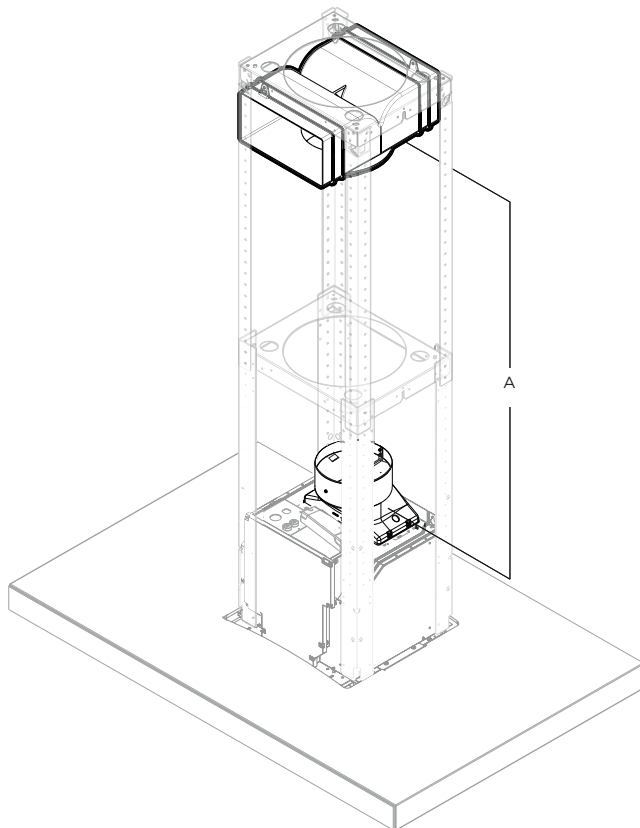
Instalación del deflector

- Monte el deflector de aire con el soporte horizontal superior con 2 tornillos de montaje provistos.



A. Deflector
B. Tornillos de montaje

- Mida desde la parte inferior del deflector de aire hasta la parte inferior del escape de la campana, así como se muestra en el siguiente diagrama.



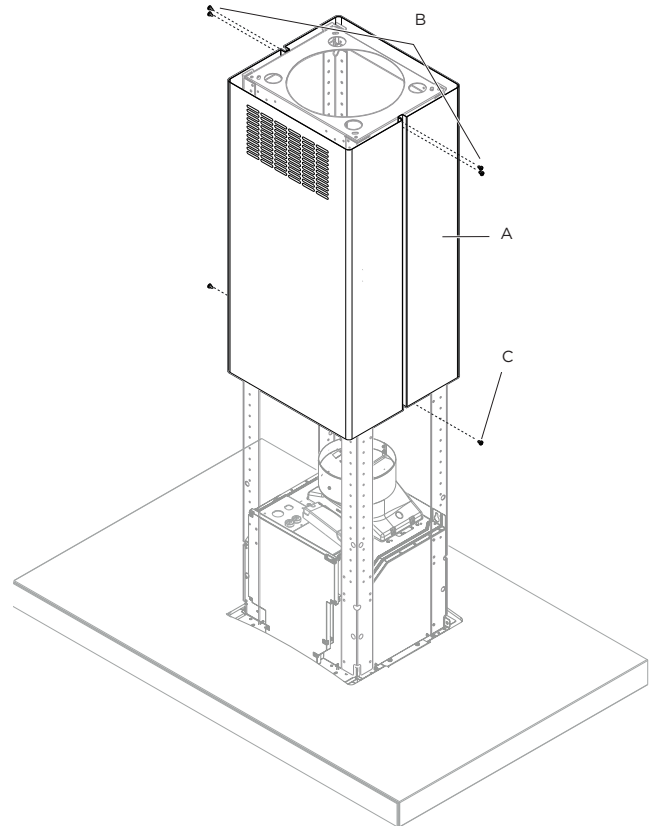
A. Dimensión a medir

- Corte el conducto según el tamaño medido.
- Hunda el conducto en el fondo del deflector.
- Coloque la cubierta del conducto, por encima de la salida de escape desde la campana.
- Use la cinta para conductos, para sellar el colector a la salida de escape desde la campana.
- Coloque los filtros de carbón. Vea la sección "mantenimiento".

Instalación de las cubiertas del ducto (versión con y sin ducto de escape)

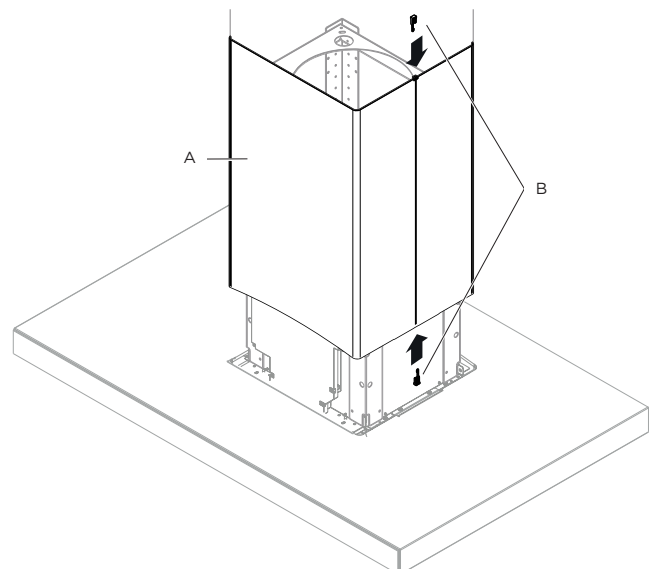
- Fije las cubiertas superiores del ducto usando 6 tornillos - 3.5 x 6.5 mm.

NOTA: Para las instalaciones sin ducto de escape (con recirculación), los orificios con ranuras en las cubiertas superiores del ducto serán visibles cuando se los ensamble. Para las instalaciones con ducto de escape, los orificios con ranuras estarán ocultos dentro de las cubiertas inferiores del ducto.



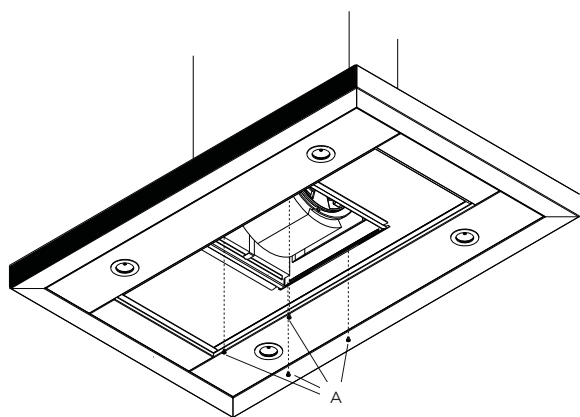
A. Cubiertas superiores del ducto
B. 4 tornillos - 3.5 x 6.5 mm
C. 2 tornillos - 2.9 x 3 mm

- Coloque las cubiertas inferiores del ducto usando un sujetador de plástico en cada lado (se requieren 4).



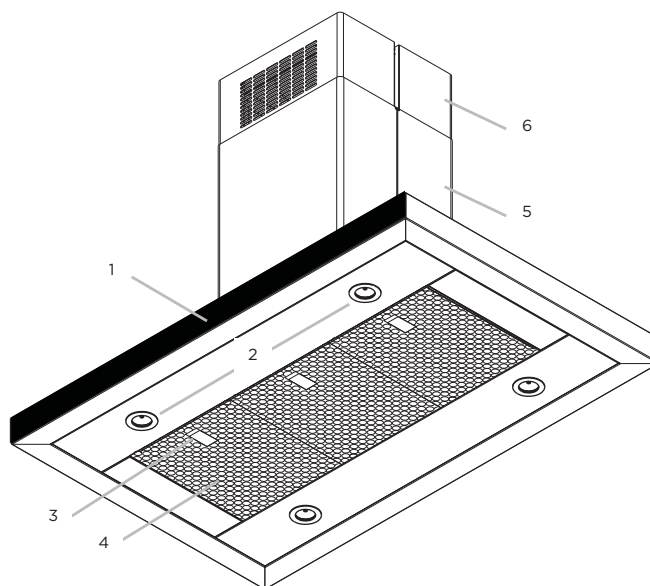
A. Cubiertas inferiores del ducto
B. 4 - Sujetadores de plástico de la cubierta del ducto

- Asegure la cubierta inferior del ducto a la campana de cocina con escudete utilizando 4 tornillos de 4.2 x 8 mm.



A. 4 - Tornillos 4.2 x 8 mm

Descripción de la campana




1. Panel de control
2. Lámparas LED
3. Manija de filtro de grasa
4. Filtros de grasa
5. Cubreducto Inferior
6. Cubreducto Superior



1. Botón ON/OFF motor (stand by)
2. Botón de selección de velocidad (potencia de aspiración) baja - cuando ésta parpadea indica la necesidad de lavar el filtro anti-grasa.
3. Botón de selección de velocidad (potencia de aspiración) media.
4. Botón de selección de velocidad (potencia de aspiración) alta.
5. Botón de selección de velocidad (potencia de aspiración) intensiva - dura 5 minutos, después de los cuales vuelve a la velocidad (potencia de aspiración) media.
6. Botón ON/OFF luz
Presionar brevemente para encender o apagar la iluminación de la placa de cocción.
Mantener presionado para regular la intensidad de la luz.

Indicadores de Saturación de los filtros

A intervalos regulares la campana indica la necesidad de realizar el mantenimiento de los filtros.

Botón  encendido con una luz fija: realizar el mantenimiento de los filtros para la grasa.

Botón  encendido con una luz intermitente: realizar el mantenimiento del filtro de carbón activo.


Nota: La indicación de la saturación de los filtros puede verse en el primer minuto después del apagado de la campana; dentro de este arco de tiempo debe realizarse el reset de los indicadores de saturación.


Reset de los indicadores de saturación de los filtros:

Mantenga presionado el botón .

Activación indicador de saturación del filtro de carbón activo

NOTA: esta operación debe realizarse con la campana apagada. Este indicador está normalmente desactivado; mantenga

presionado el botón  para activar la función: el botón se ilumina con una luz fija.

Para desactivar la función, mantenga presionado el botón : el botón se ilumina con una luz intermitente.

Antes de operar su campana:

Algunos Estados y Provincias de EU & Canadá restringen el flujo máximo de aire de las campanas de cocina.

El flujo de aire es medido como pies cúbicos por minuto (CFM). Estos niveles máximos permitidos son detallados dentro del código local de su área. Cheque sus códigos locales para saber si necesita restringir el flujo máximo de escape de aire en su campana. Si su código local requiere un nivel máximo del flujo de aire menor al flujo de aire máximo de esta campana (i.e. 600 CFM), ejecute el siguiente procedimiento para reducirlo.



- 1 Apague el motor (OFF).
- 2 Presione los botones de ON/OFF (1) y velocidad intensiva (5) juntos por 3 segundos.
Escuchará un beep y las luces del control se encenderán por 3 segundos.
Esta acción deshabilitará las velocidades 3 y 4 y disminuirá efectivamente el máximo rendimiento a <300 CFM.
- 3 Localice el sticker certificado de CFM dentro del empaque.
- 4 Adhiera el sticker en un área visible en el motor.
Este sticker proveerá una certificación oficial a su inspector local en el que se consta que el flujo máximo de aire ha sido reducido a <300 CFM.

¡ ATENCIÓN!

Antes de cualquier operación de limpieza o mantenimiento, retire la campana de la red eléctrica desconectando el enchufe o desconectando el interruptor general de la casa.

Limpieza

La campana debe ser limpiada con frecuencia tanto externamente como internamente (con la misma frecuencia con la que se realiza el mantenimiento de los filtros de grasa). Para la limpieza, utilice un paño impregnado de detergente líquido neutro. No utilice productos que contengan abrasivos. No utilice limpiadores que contengan cloro. **¡NO UTILICE ALCOHOL!**

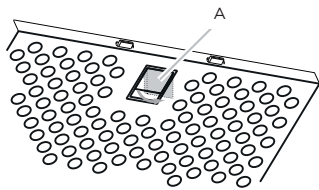
¡ ATENCIÓN:

De no observarse las instrucciones dadas para limpiar el aparato y sustituir el filtro, puede producirse un incendio. El fabricante recomienda leerlas y respetarlas atentamente. El fabricante no se hace responsable por los daños al motor o los incendios provocados en el aparato debido a intervenciones de mantenimiento incorrectas o al incumplimiento de las normas de seguridad proporcionadas.

Filtro de grasa

Retiene las partículas de grasa producidas cuando se cocina. Debe limpiarse una vez al mes con detergentes no agresivos, manualmente o bien en lavavajillas a bajas temperaturas y con ciclo breve.

Con el lavado en el lavavajilla el filtro antigrasa puede desteñirse pero sus características de filtrado no cambian absolutamente. Para desmontar el filtro antigrasa, tirar de la manija de desenganche de muelle.



A. Manija de desenganche

Reemplazo de las lámparas LED

Las luces LED son reemplazables sólo por un técnico de servicio. Vea la sección "A quién contactar" para la información de contacto del servicio.

Filtro de carbón

Cuando la campana sea utilizada en modo recirculante, para reducir el riesgo de incendio y choque eléctrico use solo los accesorios con los modelos:

Kit Recirculante: KITO2665

Kit de Filtro de Carbón: KITO2667

Si el modelo no puede expulsar el aire al exterior, el aire deberá ser filtrado a través de filtros de carbón desechables que ayudan a remover el humo y los olores.

- 1 Cubra la rejilla que protege el motor del motor con el filtro de carbón, de manera que las ranuras del filtro coincidan con las espigas en los lados de la rejilla del motor.
- 2 Gire el filtro de carbón hacia la derecha para asegurarlo.

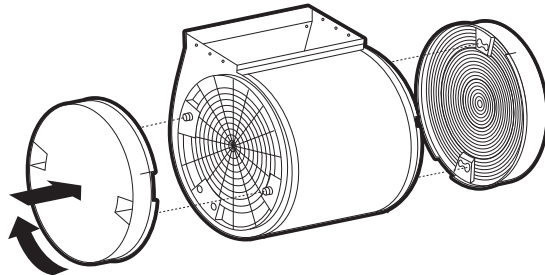
NOTA: Desconecte cableado para poder colocar el filtro de carbón y luego vuelva a conectar.

NOTA: Los filtros de carbón no son lavables.

Deben ser reemplazados cada 4-6 meses (dependiendo del uso de la campana).

NOTA: No enjuagar ni colocar filtros de carbón en lavavajillas.

NOTA: Los filtros de carbón no están incluidos en su campana. Deben ser solicitados a su proveedor.



ELICA North America

GARANTÍA LIMITADA DE DOS AÑOS

PARA OBTENER SERVICIO DENTRO DE GARANTÍA

El propietario debe presentar su recibo original de la compra. Guarde por favor una copia de su recibo de compra como prueba, para recibir el servicio dentro del periodo de garantía.

PARTES Y GARANTÍA DE SERVICIO

Por el periodo de dos (2) años desde la fecha original de la compra, Elica proveerá, gratuitamente, partes no-consumibles o componentes que hayan fallado debido a defectos de fabricación. Durante estos dos (2) años de garantía limitada, Elica también proveerá gratuitamente, todo el servicio en casa y mano de obra necesaria para reemplazar cualquier parte defectuosa.

QUÉ NO ESTÁ CUBIERTO

- Daños o fallas del producto causados por accidente o actos de Dios, tales como inundaciones incendios o terremotos.
- Daños o fallas causadas por alteración del producto o por el uso de partes no-originales.
- Daños o fallas del producto causados durante la entrega, manejo o instalación.
- Daños o fallas del producto causados por abuso del usuario.
- Daños o fallas del producto causados por reemplazo de fusibles dañados o reseteo de interruptor de circuito.
- Daño o fallas causados por el uso del producto en un ambiente comercial (no doméstico).
- Viajes de servicio para proporcionar orientación de uso o instalación.
- Bombillas, filtros de carbón o metal y cualquier otra parte consumible.
- Desgaste normal.
- Desgaste terminal debido a abusos del usuario, mantenimiento inadecuado, uso de productos / toallas de limpieza corrosivos o abrasivos y por uso de limpiadores para hornos.

QUIÉN ESTÁ CUBIERTO

Esta garantía se extiende al comprador original de productos adquiridos para uso residencial en Norte América (incluyendo Estados Unidos, Guam, Puerto Rico, Islas Vírgenes de EU y Canadá).

Esta garantía no es transferible y aplica solamente al comprador original y no se extiende a propietarios subsecuentes del producto. Esta garantía se expresa en lugar de otras garantías, expresadas o implicadas, incluyendo, pero no limitada a ninguna garantía implicada de comercialización o adaptada para propósitos particulares y cualquier otra obligación por parte de Elica North America, considerando, sin embargo, que si la negación de garantías implícitas es inefectiva bajo la ley aplicable, la duración de cualquier garantía implícita será limitada a dos (2) años desde la fecha original de compra o por el periodo necesario como sea requerido por la ley aplicable.

Esta garantía no cubre cualquier daño especial, incidental y/o consecuente, ni pérdidas de ganancias, sufridas por el comprador original, sus clientes y/o usuarios del producto.

A QUIÉN CONTACTAR

Para obtener Servicio bajo Garantía o para cualquier pregunta relacionada a Servicio:

Favor de llamar a:

- Servicio Elica North America, llame a 1-888 732 8018
- Para el Este de Canadá, llame a Servicios AGI a 1-888 651 2534. Pregunte por el *Departamento de Servicio al Cliente*
- elica@servicepower.com

ELICA Latinoamérica

GARANTÍA LIMITADA DE DOS AÑOS

PARA OBTENER SERVICIO DENTRO DE GARANTÍA

El propietario debe presentar su recibo original de la compra. Guarde por favor una copia de su recibo de compra como prueba, para recibir el servicio dentro del periodo de garantía.

PARTES Y GARANTÍA DE SERVICIO

Por el periodo de dos (2) años desde la fecha original de la compra, Elica proveerá gratuitamente, a través de sus distribuidores, partes no-consumibles o componentes que hayan fallado debido a defectos de fabricación. Durante estos dos (2) años de garantía limitada, Elica también proveerá gratuitamente, a través de sus distribuidores, todo el servicio en casa y mano de obra necesaria para reemplazar cualquier parte defectuosa.

QUÉ NO ESTÁ CUBIERTO

- Daños o fallas del producto causados por accidente o actos de Dios, tales como inundaciones incendios o terremotos.
- Daños o fallas causadas por alteración del producto o por el uso de partes no-originales.
- Daños o fallas del producto causados durante la entrega, manejo o instalación.
- Daños o fallas del producto causados por abuso del usuario.
- Daños o fallas del producto causados por reemplazo de fusibles dañados o reseteo de interruptor de circuito.
- Daño o fallas causados por el uso del producto en un ambiente comercial (no doméstico).
- Viajes de servicio para proporcionar orientación de uso o instalación.
- Bombillas, filtros de carbón o metal y cualquier otra parte consumible.
- Desgaste normal.
- Desgaste terminal debido a abusos del usuario, mantenimiento inadecuado, uso de productos / toallas de limpieza corrosivos o abrasivos y por uso de limpiadores para hornos.

QUIÉN ESTÁ CUBIERTO

Esta garantía se extiende al comprador original de productos adquiridos para uso residencial en Latinoamérica.

Para cualquier defecto estético se tiene una garantía limitada por treinta (30) días de la fecha de compra del usuario final.

Esta garantía no es transferible y aplica solamente al comprador original y no se extiende a propietarios subsecuentes del producto. Esta garantía se expresa en lugar de otras garantías, expresadas o implicadas, incluyendo, pero no limitada a ninguna garantía implicada de comercialización o adaptada para propósitos particulares y cualquier otra obligación por parte de Elica, considerando, sin embargo, que si la negación de garantías implícitas es inefectiva bajo la ley aplicable, la duración de cualquier garantía implícita será limitada a dos (2) años desde la fecha original de compra o por el periodo necesario como sea requerido por la ley aplicable.

Esta garantía no cubre cualquier daño especial, incidental y/o consecuente, ni pérdidas de ganancias, sufridas por el comprador original, sus clientes y/o usuarios del producto.

A QUIÉN CONTACTAR

Para obtener Servicio bajo Garantía o para cualquier pregunta relacionada a Servicio:

PAÍS	COMPAÑÍA	CONTACTO SERVICIO TÉCNICO	MAIL CONTACTO SERVICIO TÉCNICO	TELEFONO SERVICIO TÉCNICO
MÉXICO	ARTEXA MEXICO S.A. DE C.V.	Martín Melgoza	mmelgoza@artexa.com	+ 52.81.8625.5063
ECUADOR	DKOCINA	Reinaldo Hidalgo	dkocina@uio.satnet.net	+ 593.260.4890
PANAMÁ	REPRESENTACIONES IDEALES S.A.	Domingo Murzi	dmurzi@repideales.com	+ 507.392.3223 EXT 15
GUATEMALA	FERCO	Jackeline Estevez	jestevez@ferco.com.gt	+ 502 421 9000
HONDURAS	FERCO	Jackeline Estevez	jestevez@ferco.com.gt	+ 502 421 9000
SALVADOR	FERCO	Jackeline Estevez	jestevez@ferco.com.gt	+ 502 421 9000
BRASIL	LOFRA SUDAMERICA LTDA	Carlos Fleischfresser	carlos@lofra.com.br	+ 41.3661.7006
PERÚ	LÍNEA HOGAR	Flavio Figari	flavio.figari@appliancecenter.pe	+ 51 1 2418055

En caso de no existir un distribuidor en su localidad, favor de ingresar a www.elica.com/asistencia

