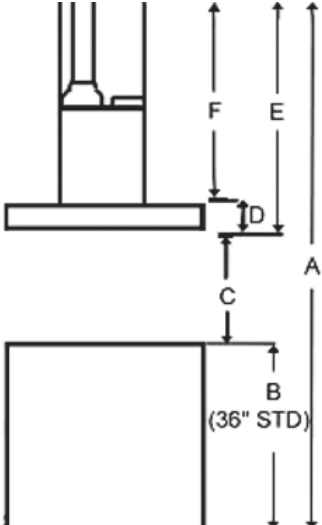


## INSTALLATION

PLEASE READ ENTIRE INSTRUCTIONS BEFORE PROCEEDING

### Calculation before Installation

To calculate installation, please refer to TABLE 1. (All calculation in inches.)

TABLE 1	
<p>A = Height of Floor to Ceiling B = Height of Floor to Counter Top (Standard: 36") <b>C = Preferred Height of Counter Top to Hood Bottom (Recommended 30" to 36")</b> D = Height of Hood E = Height of the Hood Installation [A - (B+C)] F = Height of Duct Cover [E - D]</p>	 A technical diagram illustrating the installation of a range hood. It shows a side view of the hood mounted above a counter and a cabinet. Dimension lines indicate the following measurements: A is the total height from the floor to the ceiling; B is the height from the floor to the counter top, noted as a standard 36 inches; C is the vertical distance from the counter top to the bottom of the hood; D is the height of the hood itself; E is the total height from the floor to the top of the hood's installation; and F is the height of the duct cover above the hood.

### **⚠ SAFETY WARNING**

**HOOD MAY HAVE VERY SHARP EDGES; PLEASE WEAR PROTECTIVE GLOVES IF IT IS NECESSARY TO REMOVE ANY PARTS FOR INSTALLING, CLEANING OR SERVICING.**

**NOTE: BE CAREFUL WHEN USING ELECTRICAL SCREWDRIVER, DAMAGE TO THE HOOD MAY OCCUR.**

## Preparations of Ductwork and Location

NOTE: TO AVOID DAMAGE TO YOUR HOOD, PREVENT DEBRIS FROM ENTERING THE VET OPENING.

- Decide the location of the venting pipe from the hood to the outside. Refer to Figure 1.
- A straight, short venting run will allow the hood to perform more efficiently.
- Try to avoid as many transitions, elbows, and long run as possible. This may reduce the performance of the hood.
- Temporarily wire the hood to test for proper operation before installing.
- Important: Peel any protective film off the hood.
- Use duct tape to seal the joints between pipe sections.

## Island Installation

**CAUTION:** USE HAND TOOLS ONLY. DO NOT OVER TIGHTEN SCREWS. IT MAY CAUSE DAMAGE TO THE HOOD.

**CAUTION:** If moving the cooktop range is necessary to install the hood, turn off the power in an electric range at the main electrical box. SHUT OFF THE GAS BEFORE MOVING A GAS RANGE.

And use a protective covering to protect cooktop and/or countertop from damage.

1. Mark centerline of cooktop or range on ceiling. Use centerline marked on ceiling to position the range hood as shown in Figure 2.
2. Cut and remove ceiling drywell. Install 2" x 4" cross framing lumber (not provided) between ceiling joists.
3. Framing should be 11-2/16" (O.C. = on center) between front and back, and 10-3/16" (O.C.) between both sides of the 2" x 1" cross framing lumber. Refer to Figure 3.
4. Finish the ceiling surface. Be sure to mark the location of the ceiling joists and cross framing lumber.
5. Cut a 6-1/2" duct opening and approximately a 1" wire access hole.

Figure 1

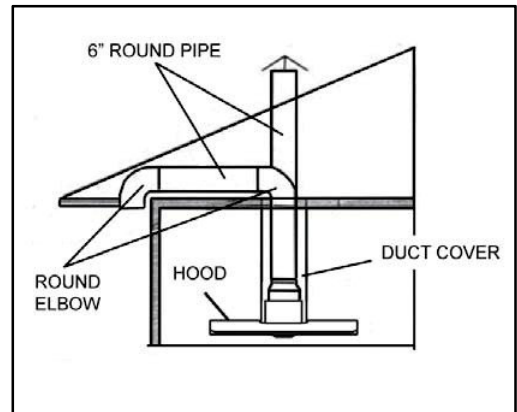


Figure 2

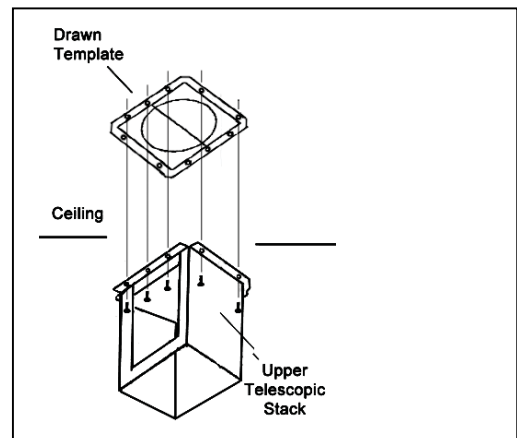
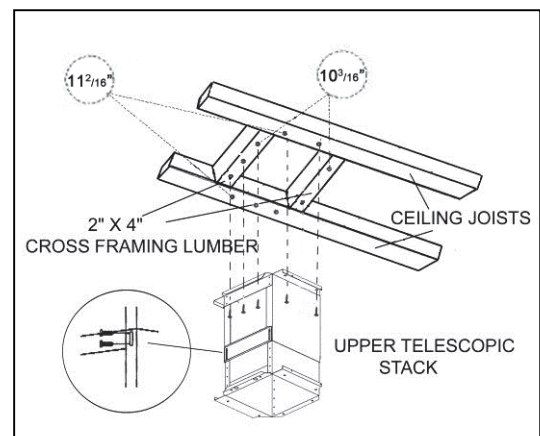


Figure 3



## Telescopic Stack

6. Adjust the telescopic stack with the screws provided to the desired height. Refer to Table 1 and Figure 4. (Lower screws must be drilled into the metal motor housing.)
7. Place only the inner duct cover over top of the telescopic stack prior to mounting to the ceiling and let it rest on the bottom flanges.
8. Align the telescopic stack to the mounting surface and secure ten hood mounting screws (provided) into the ceiling joist and cross framing lumber. Make sure screws are driven into the ceiling at the middle of joists and cross framing lumber for maximum support and stability.

**⚠ CAUTION: MAKE SURE THE TELESCOPIC STACK IS SECURE BEFORE RELEASING.**

## Wiring to Power Supply

**⚠ THIS RANGE HOOD MUST BE PROPERLY GROUNDED. MAKE SURE THIS IS DONE BY QUALIFIED ELECTRICIAN IN ACCORDANCE WITH ALL APPLICABLE NATIONAL AND LOCAL ELECTRICAL CODES. BEFORE CONNECTING WIRES, SWITCH POWER OFF AT SERVICE PANEL AND LOCK SERVICE PANEL TO PREVENT POWER FROM BEING SWITCHED ON ACCIDENTALLY.**

9. Route house wiring into the ceiling as close to the installation location as possible. Allow additional length of wiring to drop down from the ceiling to the electric box.
10. Connect the electrical wires according to color (green to green, white to white, and black to black) and cap with wire connectors. Green wire must be grounded to reduce risk of electric shock.

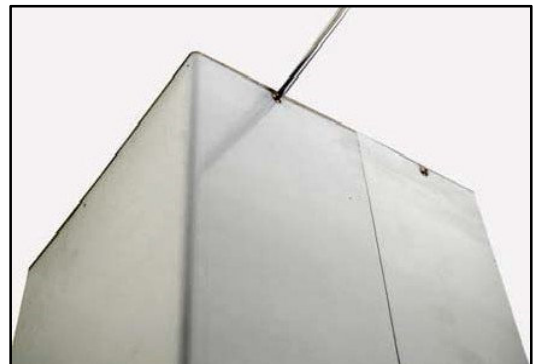
## Ductwork Installation

11. Use 6" round aluminum or steel pipe (not provided) to connect to the plastic collar.
12. Slide the outer duct cover downward so that it slits properly on the hood.
13. Fasten the inner duct cover in place with 4 screws (provided). Refer to Figure 5.
14. Slide the outer duct cover up the telescopic stack, and temporarily hold or fasten in place.

Figure 4



Figure 5



## Hood Installation

15. Align the hood with the telescopic stack so that the motor harness is on the same side as the control unit harness. Refer to Figure 6.
16. Fasten the hood body to the telescopic stack using 8 screws (provided). Refer to Figure 7.
17. Use 2 screws (provided) to secure the outer duct cover to the hood body. Refer to Figure 8.

**⚠ CAUTION: MAKE SURE THE HOOD IS SECURE BEFORE RELEASING.**

## Final Assembly

18. Install the Baffle Filters.
19. Turn power ON in control panel. Check all lights and fan operation.
20. Make sure to leave this manual for the homeowner.

Figure 6



Figure 7

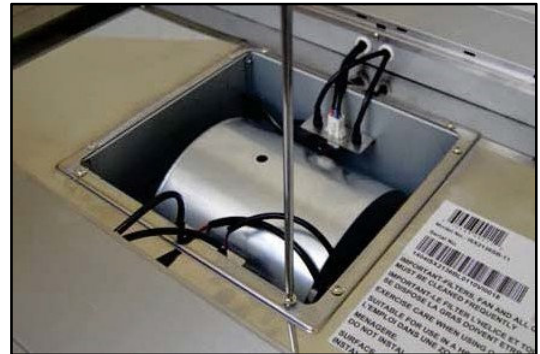


Figure 8

