

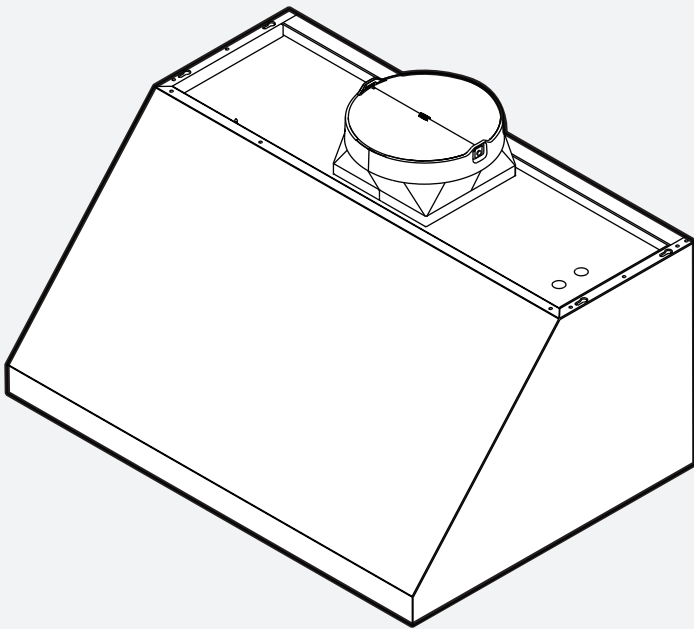
# Use, Care, and Installation Guide

---

Guide  
d'utilisation,  
d'entretien et  
d'installation

---

Guía de  
instalación, uso y  
mantenimiento



READ AND SAVE THESE  
INSTRUCTIONS

---

LISEZ CES  
INSTRUCTIONS ET  
CONSERVEZ-LES

---

LEA Y CONSERVE  
ESTAS INSTRUCCIONES

**Models:** | ECL630S4  
ECL136S4  
ECL142S4  
ECL148S4

**Contents**

Important safety notice..... 3

    Electrical & installation requirements ..... 4

    Before installing the hood ..... 4

Dimensions and clearances..... 5

List of materials.....6

    Parts supplied .....6

    Parts not supplied .....6

Ducting options and examples..... 7

Installation ..... 8

    Venting methods..... 8

    Wall installation..... 9

    Electrical connection..... 11

    Complete the installation..... 11

Description of the hood.....11

Control.....11

Maintenance .....12

Warranty ..... 13

**APPROVED FOR RESIDENTIAL APPLIANCES  
FOR RESIDENTIAL USE ONLY  
READ AND SAVE THESE INSTRUCTIONS**

**PLEASE READ ENTIRE INSTRUCTIONS BEFORE PROCEEDING.  
INSTALLATION MUST COMPLY WITH ALL LOCAL CODES.**

**IMPORTANT:** Save these Instructions for the Local Electrical Inspector's use.  
**INSTALLER:** Please leave these Instructions with this unit for the owner.  
**OWNER:** Please retain these instructions for future reference.

**Safety Warning:** Turn off power circuit at service panel and lock out panel, before wiring this appliance.  
**Requirement:** 120 V AC, 60 Hz. 15 or 20 A Branch Circuit.

## ⚠ IMPORTANT SAFETY NOTICE

### ⚠ CAUTION

FOR GENERAL VENTILATING USE ONLY. DO NOT USE TO EXHAUST HAZARDOUS OR EXPLOSIVE MATERIALS OR VAPOURS.

### ⚠ WARNING

TO REDUCE THE RISK OF FIRE, ELECTRIC SHOCK, OR INJURY TO PERSONS, OBSERVE THE FOLLOWING:

- A. Use this unit only in the manner intended by the manufacturer. If you have questions, contact the manufacturer.
- B. Before servicing or cleaning the unit, switch power off at service panel and lock service panel disconnecting means to prevent power from being switched on accidentally.  
When the service disconnecting means cannot be locked, securely fasten a prominent warning device, such as a tag, to the service panel.
- C. Installation work and electrical wiring must be done by qualified person(s) in accordance with all applicable codes & standards, including fire-rated construction.
- D. Sufficient air is needed for proper combustion and exhausting of gases through the flue (Chimney) of fuel burning equipment to prevent back-drafting.  
Follow the heating equipment manufacturers guideline and safety standards such as those published by the national fire protection association (NFPA), the american society for heating, refrigeration and air conditioning engineers (ASHRAE), and the local code authorities.
- E. When cutting or drilling into wall or ceiling, do not damage electrical wiring and other hidden utilities.
- F. Ducted fans must always be vented to the outdoor.

### ⚠ CAUTION

To reduce risk of fire and to properly exhaust air, be sure to duct air outside - do not vent exhaust air into spaces within walls, ceilings, attics, crawl spaces, or garages.

### ⚠ WARNING

TO REDUCE THE RISK OF FIRE, USE ONLY METAL DUCT WORK.

Install this hood in accordance with all requirements specified.

### ⚠ WARNING

To reduce the risk of fire or electric shock, do not use this hood with any external solid state speed control device.

### ⚠ WARNING

To Reduce The Risk Of Fire And Electric Shock, Install This Rangehood Only With Integral, In Line, and External Blower Models Rated Maximum 7.7 A/ 920 W Or Integral Blowers Manufactured by Elica (for model references, see optional accessories table).

HOOD MODEL	Integral Blower (already included with the hood)		In Line Blower Kit 1200 KIT0154387		External Blower Kit 1200 KIT0153054		Heat Lamps Kit (See accessories table for reference)		Heat Lamps Kit + In Line Blower Kit		Heat Lamps Kit + External Blower Kit	
	A	W	A	W	A	W	A	W	A	W	A	W
ECL630S4	3.9	463	7.7	913	7.4	884	6.8	583	10.4	1020	10.2	991
ECL136S4	7.6	913	7.6	913	7.4	884	10.5	1033	10.4	1020	10.2	991
ECL142S4	7.6	913	7.6	913	7.4	884	10.5	1033	10.4	1020	10.2	991
ECL148S4	7.7	920	7.7	920	7.5	891	10.6	1040	10.4	1020	10.2	991

### ⚠ WARNING

TO REDUCE THE RISK OF A RANGE TOP GREASE FIRE.

- a) Never leave surface units unattended at high settings. Boilovers cause smoking and greasy spillovers that may ignite. Heat oils slowly on low or medium settings.
- b) Always turn hood ON when cooking at high heat or when flambeing food (I.e. Crepes Suzette, Cherries Jubilee, Peppercorn Beef Flambe').
- c) Clean ventilating fans frequently. Grease should not be allowed to accumulate on fan or filter.
- d) Use proper pan size. Always use cookware appropriate for the size of the surface element.

### ⚠ WARNING

TO REDUCE THE RISK OF INJURY TO PERSONS, IN THE EVENT OF A RANGE TOP GREASE FIRE, OBSERVE THE FOLLOWING:<sup>a</sup>

- a) SMOTHER FLAMES with a close-fitting lid, cookie sheet, or other metal tray, then turn off the gas burner or the electric element. BE CAREFUL TO PREVENT BURNS. If the flames do not go out immediately, EVACUATE AND CALL THE FIRE DEPARTMENT.
- b) NEVER PICK UP A FLAMING PAN - you may be burned.
- c) DO NOT USE WATER, including wet dishcloths or towels - a violent steam explosion will result.
- d) Use an extinguisher ONLY if:
  - 1) You know you have a class ABC extinguisher, and you already know how to operate it.
  - 2) The fire is small and contained in the area where it started.
  - 3) The fire department is being called.
  - 4) You can fight the fire with your back to an exit.

<sup>a</sup>Based on "Kitchen Fire Safety Tips" published by NFPA.

### ⚠ CAUTION

Automatically Operated Device - To Reduce The Risk Of Injury Disconnect From Power Supply Before Servicing.

# ELECTRICAL & INSTALLATION REQUIREMENTS

## IMPORTANT

Observe all governing codes and ordinances.

It is the customer's responsibility:

- To contact a qualified electrical installer.
- To assure that the electrical installation is adequate and in conformance with National Electrical Code, ANSI/NFPA 70 — latest edition\*, or CSA Standards C22.1-94, Canadian Electrical Code, Part 1 and C22.2 No.0-M91-latest edition\*\* and all local codes and ordinances.
- If codes permit and a separate ground wire is used, it is recommended that a qualified electrician determine that the ground path is adequate.
- Do not ground to a gas pipe.
- Check with a qualified electrician if you are not sure range hood is properly grounded.
- Do not have a fuse in the neutral or ground circuit.

## IMPORTANT

- Save Installation Instructions for electrical inspector's use.
- The range hood must be connected with copper wire only.
- The range hood should be connected directly to the fused disconnect (Or circuit breaker) box through metal electrical conduit.
- Wire sizes must conform to the requirements of the National Electrical Code ANSI/NFPA 70 — latest edition\*, or CSA Standards C22.1-94, Canadian Electrical Code Part 1 and C22.2 No. 0-M91 - latest edition\*\* and all local codes and ordinances.
- A U.L.- or C.S.A.-listed conduit connector must be provided at each end of the power supply conduit (at the range hood and at the junction box).

Copies of the standards listed may be obtained from:

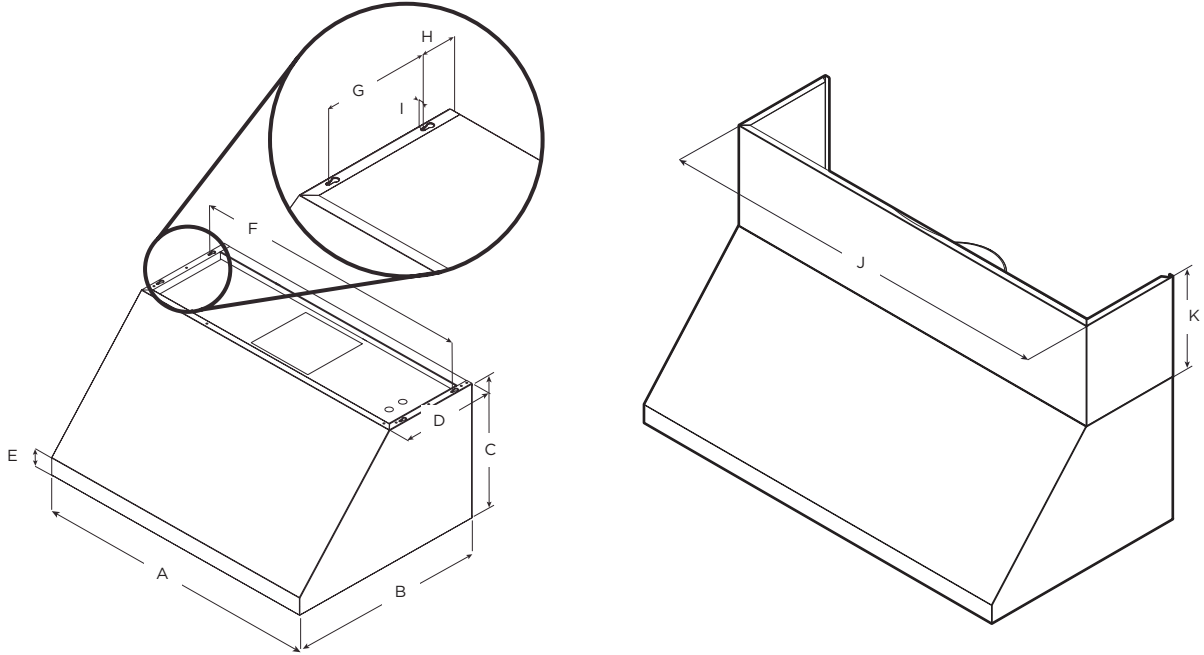
\* National Fire Protection Association Batterymarch Park Quincy, Massachusetts 02269

\*\* CSA International 8501 East Pleasant Valley Road Cleveland, Ohio 44131-5575

## BEFORE INSTALLING THE HOOD

- 1** For the most efficient air flow exhaust, use a straight run or as few elbows as possible.  
CAUTION: Vent unit to outside of building, only.
- 2** At least two people are necessary for installation.
- 3** Fittings material is provided to secure the hood to most types of walls/ceilings, consult a Qualified Installer, check if they perfectly fit with your cabinet/wall.
- 4** Do not use flex ducting.
- 5** COLD WEATHER installations should have an additional backdraft damper installed to minimize backward cold air flow and a nonmetallic thermal break to minimize conduction of outside temperatures as part of the ductwork. The damper should be on the cold air side of the thermal break.  
The break should be as close as possible to where the ducting enters the heated portion of the house.
- 6** Make up air: Local building codes may require the use of Make-Up Air Systems when using Ducted Ventilation Systems greater than specified CFM of air movement. The specified CFM varies from locale to locale. Consult your HVAC professional for specific requirements in your area.

# PRODUCT DIMENSIONS



Models					Duct Cover Kit	J	K
	ECL630S4	ECL136S4	ECL142S4	ECL148S4			
<b>A</b>	30" (76 cm)	36" (91.1 cm)	42" (106.5 cm)	48" (121.7 cm)	<b>KIT02159</b>	30" (76.2 cm)	6" (15.2 cm)
<b>B</b>	25" (63.5 cm)				<b>KIT02158</b>	36" (91.54 cm)	
<b>C</b>	18" (45.7 cm)				<b>KIT02622</b>	42" (106.5 cm)	
<b>D</b>	12" (30.3 cm)				<b>KIT02164</b>	48" (121.7 cm)	
<b>E</b>	1 1/8" (5.7 cm)				<b>KIT02160</b>	30" (76.2 cm)	12" (30.5 cm)
<b>F</b>	29 1/8" (74 cm)	35 1/8" (89.2 cm)	41 1/8" (104.5 cm)	47 1/8" (119.7 cm)	<b>KIT02161</b>	36" (91.54 cm)	
<b>G</b>	7 1/2" (19 cm)				<b>KIT02623</b>	42" (106.5 cm)	
<b>H</b>	2 5/8" (6.5 cm)				<b>KIT02165</b>	48" (121.7 cm)	
<b>I</b>	3/8" (1 cm)						

## Optional accessories and consumable parts

KIT	# Part			
	ECL630S4 30" (76.2 cm)	ECL136S4 36" (91.54 cm)	ECL142S4 42" (106.5 cm)	ECL148S4 48" (121.7 cm)
<b>Long Chimney Extension Kit 6"</b>	KIT02159	KIT02158	KIT02622	KIT02164
<b>Long Chimney Extension Kit 12"</b>	KIT02160	KIT02161	KIT02623	KIT02165
<b>Heat Lamp w/ 2 - 175W Bulbs Kit</b>	KIT0155106	KIT0155107	KIT0155110	KIT0155111
<b>Stainless Back Splash and Warm Racks Kit</b>	KIT0142864	KIT0142867	KIT0142868	KIT0142870
<b>in Line Blower 1200 Kit</b>	KIT0154387			
<b>External Blower 1200 Kit</b>	KIT0153054			

# LIST OF MATERIALS

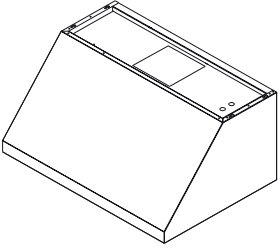
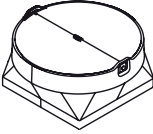


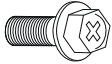





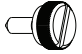
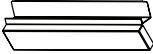
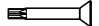
Removing the packaging.

**⚠ CAUTION**

Remove carton carefully, wear gloves to protect against sharp edges.

**⚠ WARNING**

Remove the protective film covering the product before putting into operation.

Supplied Part	Pieces	Supplied Part	Pieces
 Hood assembly and LED lamps already installed	1	 10" round air transition	1
 6x80 mm	4	 Ø 6.4x11 mm washers	5
 6x16 mm	5	 Ø 5.3x20 mm washers	2
 3.5x9.5 mm	4	 10x50 mm wall anchors	2
 4.2x19 mm	6	 Drip tray bracket	30", 36", 42": 1 48": 2
 Drip tray screws	4	 Drip tray	30", 36", 42": 2 48": 3
 Torx 20 adapter	1		

Parts no supplied

**Tools/Materials required**

- Level
- Drill with 1/4" (3.0 cm), 1/8" (3.0 mm), 1/16" (4.8 mm) drill bits
- Pencil
- Wire stripper or utility knife
- Tape measure or ruler
- Pliers
- Caulking gun and weatherproof caulking compound
- Vent clamps
- Saber or keyhole saw
- Metal snips
- Screwdrivers:
  - Phillips
  - Flat-blade

**Parts needed**

- Home power supply cable
- 1 - 1/2" (12.7 mm) UL listed or CSA approved strain relief
- 3 UL listed wire connectors
- 1 wall or roof cap
- Metal vent system

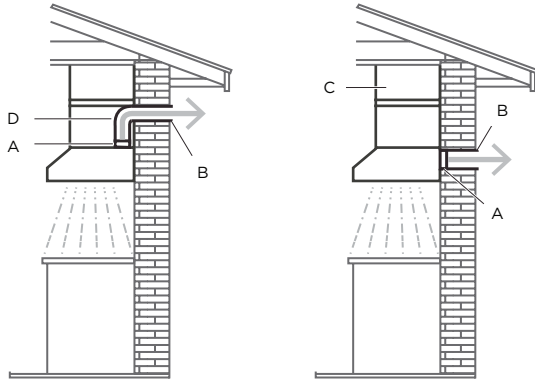
# Ducting Options

Closely follow the instructions set out in this manual.

All responsibility, for any eventual inconveniences, damages or fires caused by not complying with the instructions in this manual, is declined.

## Horizontal Discharge

Use a 10" (25.4 cm) round vent system and a 10" (25.4 cm) round transition for discharge of fumes to the outside.

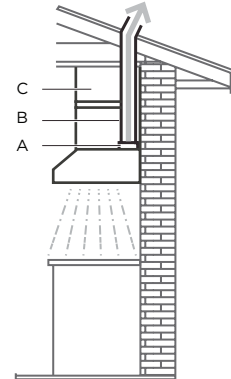


A. 10" (25.4 cm) round transition  
B. 10" (25.4 cm) duct

C. Cabinet  
D. 90° elbow

## Vertical Discharge

Use a 10" (25.4 cm) round vent system and a 10" (25.4 cm) round transition for discharge of fumes to the outside.



A. 10" (25.4 cm) round transition  
B. 10" (25.4 cm) duct  
C. Cabinet

### Preparation

Do not cut a joist or stud unless absolutely necessary. If a joist or stud must be cut, then a supporting frame must be constructed.

Fittings material is provided to secure the hood to most types of walls/ceilings.

However, a qualified technician must verify suitability of the materials in accordance with the type of wall/ceiling.

Before making cutouts, make sure there is proper clearance within the ceiling or wall for exhaust vent.

### ⚠ CAUTION

For gas cooktop & range installations: Mount the hood so the bottom is at least 30" (76.2 cm) above the cooking surface.

For electric/induction cooktop & range installations: Mount the hood so the bottom is at least 24" (61 cm) above the cooking surface.

There is no maximum mounting height, however, we recommend mounting the hood no greater than 36" (91.4 cm) above the cooking surface. For every inch (2.54 cm) above 36" (91.4 cm), fume and moisture capture efficiency diminishes at an increasing rate and may not deliver an acceptable level of ventilating performance.

This hood is intended for household use.

PLEASE READ THE INSTALLATION MANUAL FOR SPECIFIC APPLICATION. Check your ceiling height and hood height before selecting your hood.

# Installation

- It is recommended that the vent system be installed before hood is installed.
- If you are installing the optional backsplash with shelves for heat lamps, follow the instructions included with that product.
- If possible, disconnect and move freestanding or slide-in range from cabinet opening to provide easier access to rear wall.
- Before making cutouts, make sure there is proper clearance within the ceiling or wall for exhaust vent.
- Check that all installation parts have been removed from the shipping carton.

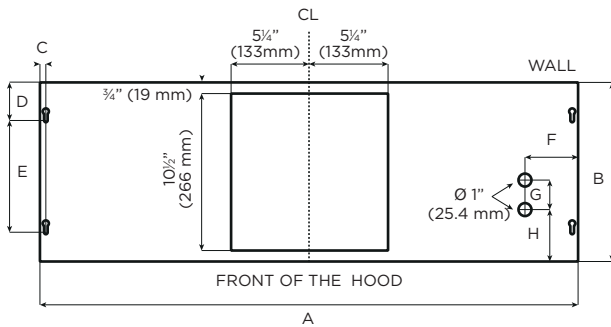
- Disconnect power.
- Determine which venting method to use: roof or wall exhaust.  
**NOTE:** This hood is factory set to vent through the top air exit. If you decide to use the rear vent exit, you have to remove the rear vent cover and relocate it to the top vent exit.
- Select a flat surface for assembling the range hood. Place covering over that surface.

## Venting Methods

### Outside Top exhaust

Vertical duct  $\varnothing 10''$  (25.4 cm)

Use the diagram or the hood as a template and mark the locations on the cabinet's bottom or roof for ductwork, electrical wiring and keyhole screw slots.

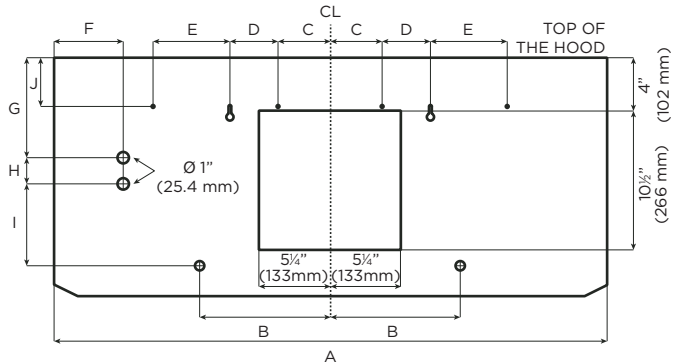


	ECL630S3	ECL136S3	ECL142S3	ECL148S3
A	30" (760 mm)	36" (912 mm)	42" (1066 mm)	48" (1217 mm)
B	12" (305 mm)			
C	1" (25.4 mm)			
D	2 5/8" (65 mm)			
E	7 1/2" (190 mm)			
F	3 3/8" (90 mm)	5 5/8" (150 mm)		6 5/8" (164 mm)
G	2" (50 mm)			
H	3 1/2" (89 mm)			

### Outside rear exhaust

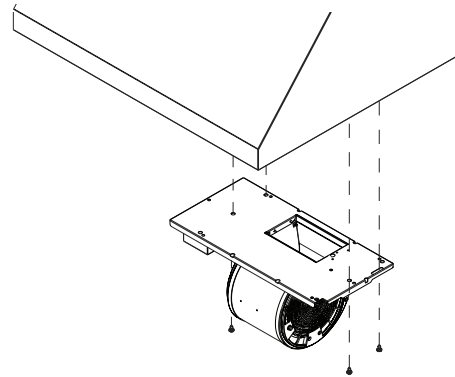
Horizontal duct  $\varnothing 10''$  (25.4 cm)

Use the diagram or the hood as a template and mark the locations on the wall for ductwork, electrical wiring and keyhole screw slots.

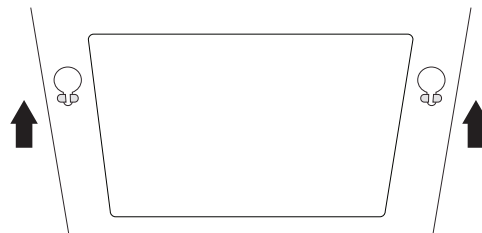


	ECL630S3	ECL136S3	ECL142S3	ECL148S3
A	30" (760 mm)	36" (912 mm)	42" (1066 mm)	48" (1217 mm)
B	9 7/8" (250 mm)			
C	4" (100 mm)			
D	7 5/8" (192.6 mm)			
E	3 5/8" (87 mm)	5" (127 mm)	5 5/8" (147 mm)	6 5/8" (167 mm)
F	2 5/8" (75 mm)		5 5/8" (135 mm)	5 5/8" (149 mm)
G	7 1/2" (192 mm)			
H	2" (50 mm)			
I	6 5/8" (157 mm)			
J	3 3/8" (94 mm)			

- Remove the grease filters.
- Remove the blower mounting screws. Put the screws in a safe place in order to use them again.

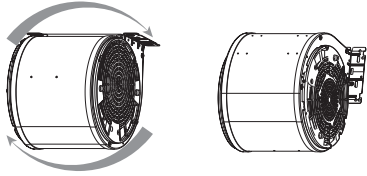


- Set free the two blower springs from the top of the range hood housing.

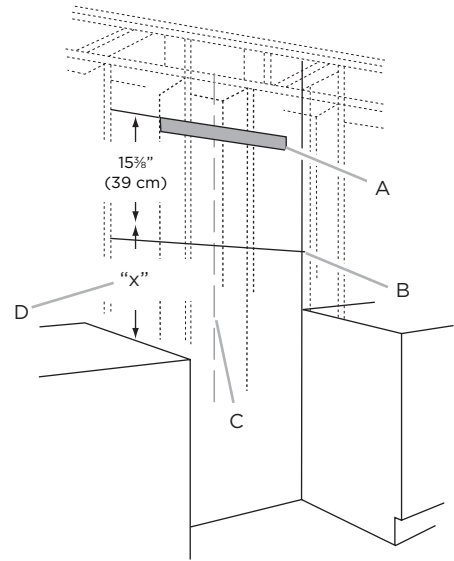
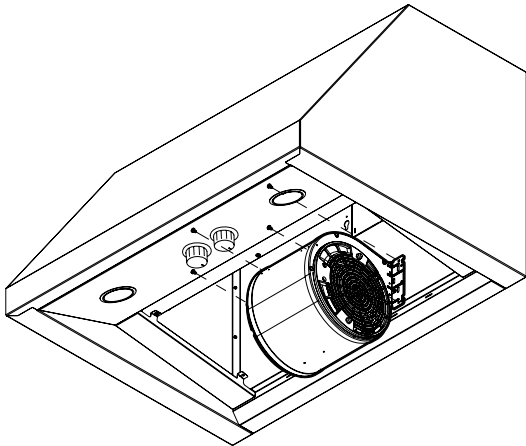




- 4 Flip the blower base to the rear face of the range hood.



- 5 Insert the two blower springs to the top of the range hood housing, Secure it with the four mounting screws previously released.



A. Wood support  
B. Bottom of range hood  
C. Centerline  
D. Dimension "X" = range hood mounting height

**NOTE:** The screws provided for mounting this range hood must be fastened into solid wood; do not fasten into sheetrock only.

### Complete Preparation

- 1 Determine and make all necessary cuts in the wall or roof for the vent system. Install the vent system before installing the range hood. See the "Venting Methods" section.
- 2 Determine the location where the power supply cable will be run through the wall.
- 3 Drill a 1/4" (3.2 cm) hole at this location.
- 4 Pull enough power supply cable through the wall to allow for easy connection to the terminal box.
- 5 Remove terminal box cover and set aside.
- 6 Remove knockout from the back of the range hood and install a UL listed or CSA approved 1/2" (1.3 cm) strain relief.
- 7 Place the range hood near its mounting position and run the power supply cable through the strain relief into terminal box (enough to make connection).
- 8 Tighten the strain relief screws.

### Mounting the Hood

The range hood attaches to the wall by the 2 mounting screws in the wood support mounted to the wall.

- 1 Using 2 or more people, hang the range hood on the wall by placing the slotted holes in the range hood back over the 2 screws mounted to the wood support mounted to the wall.

**NOTE:** If your installation uses the optional duct cover, the vent system needs to be connected to the range hood and the duct cover mounted to the top of the range hood before tightening the mounting screws.

## Wall Installation

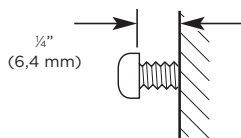
### ⚠ WARNING

USE TWO OR MORE PEOPLE TO MOVE AND INSTALL RANGE HOOD. FAILURE TO DO SO CAN RESULT IN BACK OR OTHER INJURY.

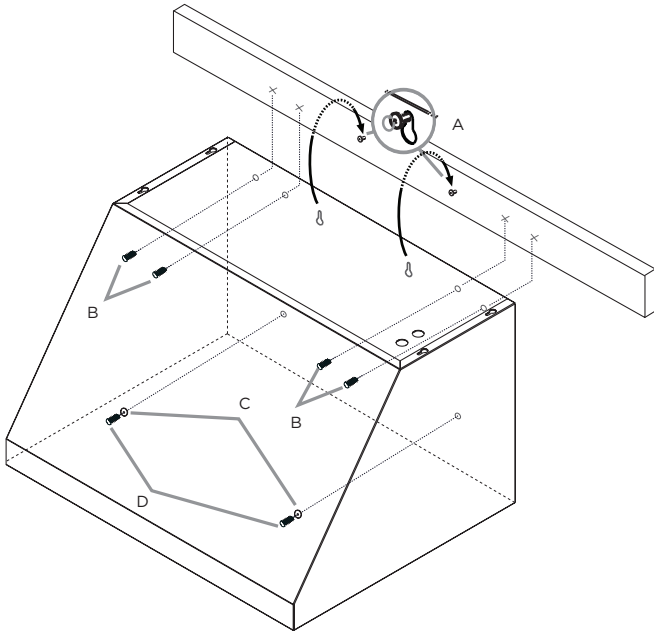
**IMPORTANT: Framing must be capable of supporting up to 150 lbs.**

The hood is attached to the wall with the wood support that is attached to the back of the hood.

- Determine and mark the centerline on the wall where the canopy hood will be installed.
- Select a mounting height "X".  
For gas cooktop & range installations: Mount the hood so the bottom is at least 30" (76.2 cm) above the cooking surface.  
For electric/induction cooktop & range installations: Mount the hood so the bottom is at least 24" (61 cm) above the cooking surface.
- Mark a horizontal reference line on the wall.
- Remove the wood support from the back of the range hood by loosening the 2 screws from the inside. Locate and level the top of the wood support 15 3/8" (39.1 cm) above the marked horizontal line and centered on the vertical centerline. Using 2 of the 4 of the 6 x 80 mm screws, install wood support so that it is screwed into at least 2 vertical studs.
- Leave a 1/4" (6.4 mm) gap between the wall and the back of the screw head to slide range hood into place 1/4" (6.4 mm).



- 2 Push the range hood up into the narrow slots, align the bottom of the hood to the horizontal line, level the hood, and tighten the 2 mounting screws.
- 3 Mark 2 lower mounting hole center point locations. Drill  $\frac{1}{8}$ " (0.32 cm) pilot holes if the holes are located into wood. If holes are not located into wood, drill two  $\frac{3}{8}$ " (0.95 cm) pilot holes and insert 10 x 50 mm wall anchors. Install 2 - 6 x 80 mm screws with D5.3 x 20 mm washers into the lower mounting anchors and tighten.

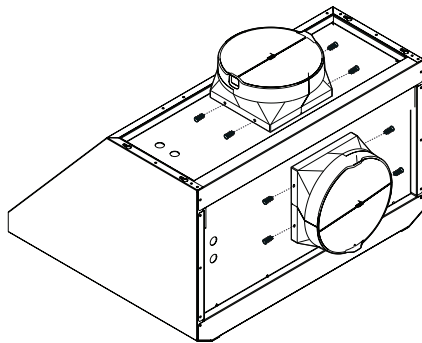


A. Mounting screws  
 B. 4 screws - 4.2 x 19 mm  
 C. 2 D5.3 x 20 mm washers  
 D. 2 screws - 6 x 80 mm

- 4 Install 4 - 4.2 x 19 mm screws through the back of the hood into the wood support and tighten.
- 5 Connect vent system to hood. Seal all joints with clamps.

#### Install Transition

- Install the 10" (25.4 cm) square x 10" (25.4 cm) round vent transition with damper to top or rear side of the range hood (depending on your installation), using 4 - 3.5 x 9.5 mm screws.

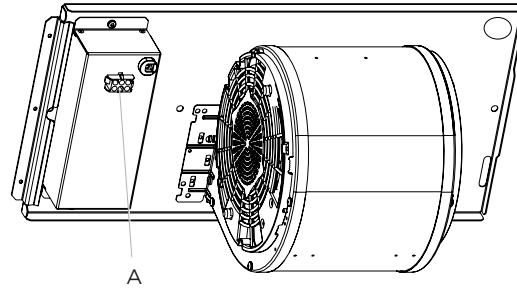


**NOTE:** The exhaust adaptor/damper can be installed up to 1 inch on either side of the hood center to accommodate off-center ductwork. In extreme off-center installations, one end of the duct connector may need to be trimmed to clear the electrical cable clamp.

#### Install Range Hood Internal Blower Motor

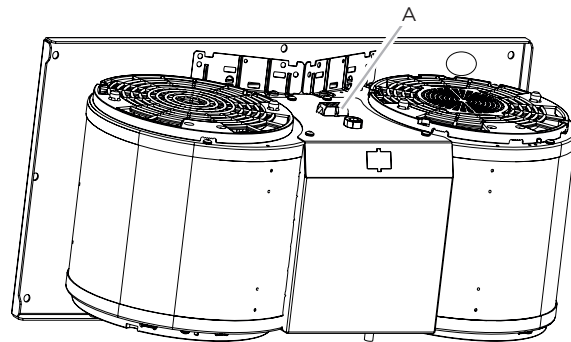
- 1 Remove grease filters from range hood. See the "Maintenance" section in the Use and Care Guide.
- 2 Install the range hood blower motor assembly inside the range hood canopy with the wiring connection to the left for the single motor system and to the front or top for the dual motor system.

##### Single blower motor assembly



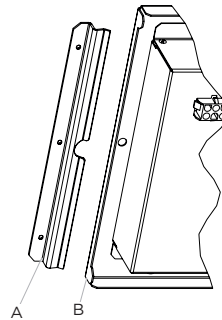
A. Wiring connection

##### Dual blower motor assembly



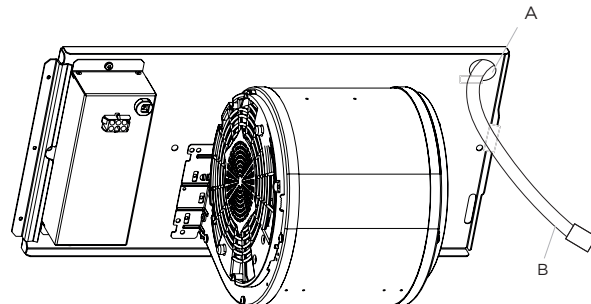
A. Wiring connection

- 3 Slide the left mounting plate flange under the motor mounting bracket.



A. Motor mounting bracket  
 B. Mounting plate left flange

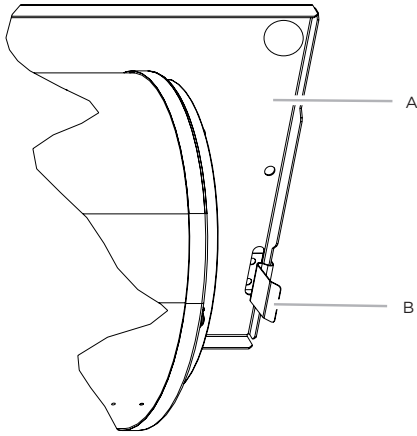
- 4 Run the power supply wires and connector from the range hood through the hole in the right end of the motor mounting plate.



A. Motor mounting plate hole  
 B. Power supply wires and connector

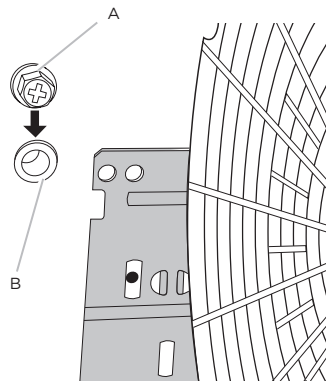
- 5 Push the right end of the motor mounting plate up and snap it into the spring tab.

**NOTE:** The spring tab should be outside the slot in the mounting plate.



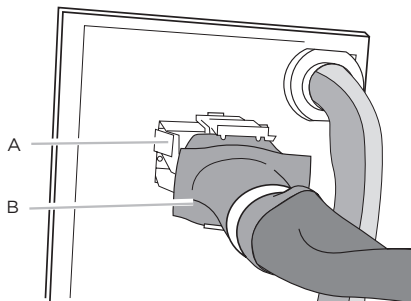
A. Motor mounting plate  
B. Spring clip

- 6 Align mounting holes and install 6 x 16 mm screws and 6.4 mm lock washers



A. Screw with lock washer  
B. Mounting hole

- 7 Attach power supply connector from the range hood to the connector on the blower motor assembly wiring box.



A. 4- 4x8 mm mounting screws  
B. Security screws

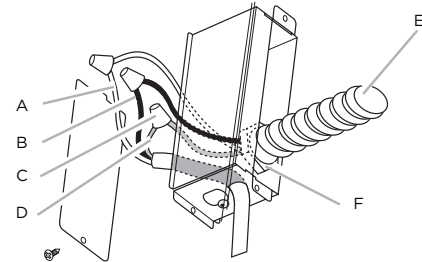
## Electrical connection

### ⚠WARNING

ELECTRICAL SHOCK HAZARD.

DISCONNECT POWER BEFORE SERVICING. REPLACE ALL PARTS AND PANELS BEFORE OPERATING. FAILURE TO DO SO CAN RESULT IN DEATH OR ELECTRICAL SHOCK.

- Remove the knockout and the Junction box cover and install the conduit connector (cULus listed) in junction box.



A. White wires  
B. Black wires  
C. UL listed wire connector

D. Green (or bare) and yellow-green ground wire  
E. Home power supply cable  
F. UL listed or CSA approved 1/2" strain relief

- Run 3 wires; black, white and green, according to the National Electrical Code and local codes and ordinances, in 1/2" conduit from service panel to junction box.

### ⚠WARNING

ELECTRICALLY GROUND BLOWER. CONNECT GROUND WIRE TO GREEN AND YELLOW GROUND WIRE IN TERMINAL BOX. FAILURE TO DO SO CAN RESULT IN DEATH OR ELECTRICAL SHOCK.

- Connect black wire from service panel to black or red in junction box, white to white and green to green-yellow.
- Close and secure junction box cover.

## Complete installation

Replace filters and check operation of the hood.

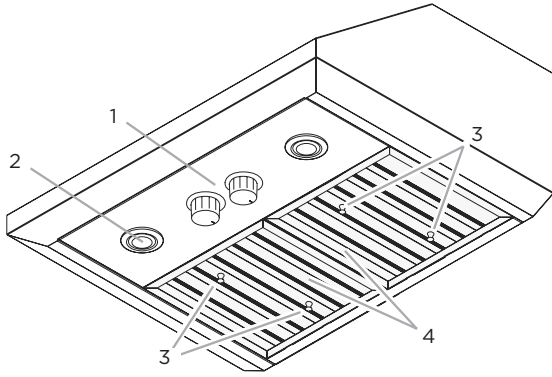
### If range hood does not operate:

- Check that the circuit breaker is not tripped or the house fuse blown.
- Disconnect power supply. Check that wiring is correct.

To get the most efficient use from your new range hood, read the "Maintenance" section.

Keep your Installation Instructions and Use and Care Guide close to range hood for easy reference.

## Description of the hood



- 1. Blower and light controls
- 2. LED lamps
- 3. Grease filter handle
- 4. Grease filter

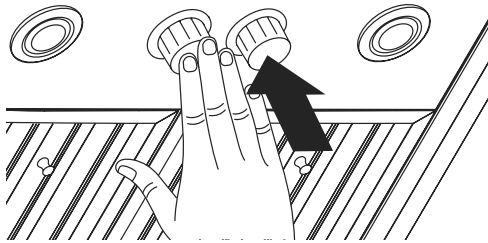
## Control

The range hood is designed to remove smoke, cooking vapors and odors from the cooktop area. For best results, start the hood before cooking and allow it to operate several minutes after the cooking is complete to clear all smoke and odors from the kitchen.

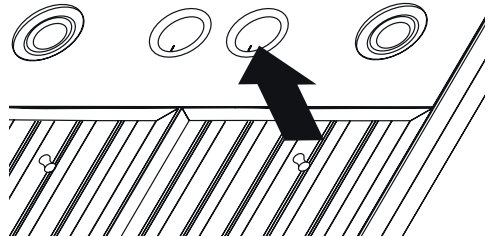
The hood controls are located on the center side of the hood.

### Recessing Knobs

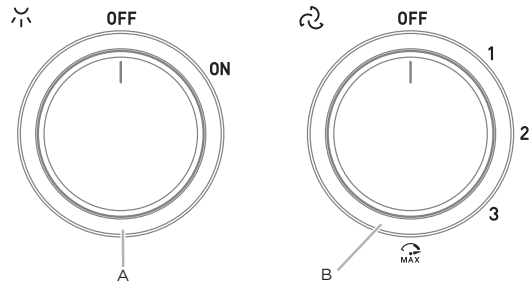
- You can hide control knobs by depressing them until flush with the hood body.



- Pressing the knobs again will lower the knobs, and enable the user to operate the lights and blower.



## Controls



- A. Lamps knob
- B. Blower knob

### Operating the lamps

1. Turn the light switch to the "ON" position to turn the range hood lights On.
2. Turn the light switch to the "OFF" position to turn the range hood lights Off.

### Operating the blower

1. Turn the blower switch at "1" to turn the range hood on.
2. Turn the blower switch to the desired speed position.
3. Turn the blower switch to the "MAX" position to turn the range hood on High.
4. Turn the blower switch to the "OFF" position to turn the range hood blower Off.

### Auto On blower

The range hood is equipped with a sensor to automatically turn on the blower when excessive heat is detected in the control area. When the blower switch is in the "Off" position, this sensor will turn the blower to high speed when necessary. When the heat decreases, the blower will turn off. When the blower switch is in the On position, the heat sensor is not active and the range hood functions normally.

# Maintenance

## Cleaning

### Exterior surfaces:

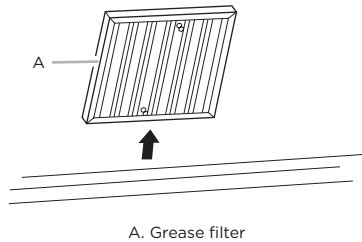
To avoid damage to the exterior surface, do not use steel wool or soap-filled scouring pads. Do not use chlorine base cleaners. Rub in direction of the grain line to avoid scratching the surface.

Always wipe dry to avoid water marks.

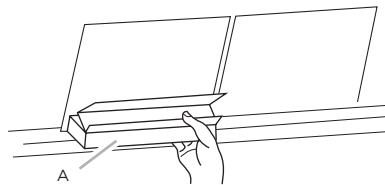
- Stainless Steel Cleaner and Polish.
- Mild liquid detergent and water.
- Wipe with damp soft cloth or nonabrasive sponge, then rinse with clean water and wipe dry.

### Metal filters and drip trays:

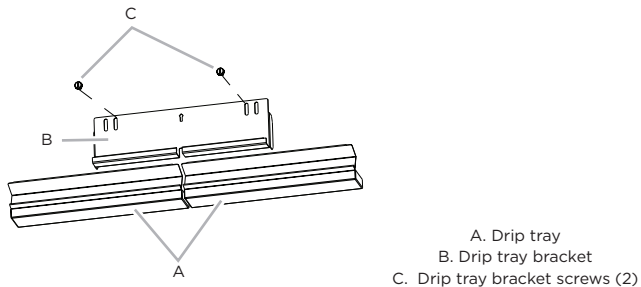
1. Use 2 hands to remove filters.
2. Grasp filter handles, pull toward the front of range hood and pull down on the rear handle to remove. Repeat for each filter.



3. Remove grease drip tray.

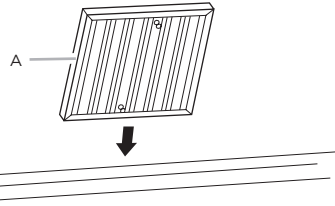


4. Place the drip tray bracket using the screws included.



5. Wash metal filters and grease trays as needed in dishwasher or hot detergent solution to clean.
6. Replace grease drip tray.
7. Reinstall filters, grasp filter handles and place front edge of filter into the hood.

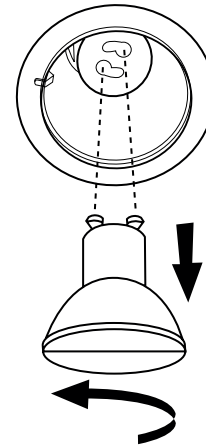
8. Push up on the back handle and set rear of filter into the drip tray to secure. Repeat for each filter.



## Replacing a LED Lamp

Turn off the range hood and allow the LED lamp to cool. To avoid damage or decreasing the life of the new lamp, do not touch lamp with bare fingers. Replace lamp, using tissue or wearing cotton gloves to handle lamp. If new lamps do not operate, make sure the lamps are inserted correctly before calling service.

1. Disconnect power.
2. Push up on the lens and turn it counterclockwise.
3. Remove the lamp and replace it with a 120-volt, 7.5 W watt maximum halogen lamp with a GU10 base. Turn it clockwise to lock it into place.
4. Repeat steps 2-3 for the other lamps if needed.
5. Reconnect power.



# ELICA North America

## TWO-YEAR LIMITED WARRANTY

Register your product in

**elica.com**

and earn a 3<sup>rd</sup> year of factory warranty, covering all parts plus in-home labor.

### TO OBTAIN SERVICE UNDER WARRANTY

Owner must present proof of original purchase date. Please keep a copy of your dated proof of purchase (sales slip) in order to obtain service under warranty.

### PARTS AND SERVICE WARRANTY

For the period of two (2) years from the date of the original purchase, Elica will provide free of charge, non consumable parts or components that failed due to manufacturing defects. During these two (2) years limited warranty, Elica will also provide free of charge, all labor and in-home service to replace any defective parts.

### WHAT IS NOT COVERED

- Damage or failure to the product caused by accident or act of God, such as, flood, fire or earthquake.
- Damage or failure caused by modification of the product or use of non-genuine parts.
- Damage or failure to the product caused during delivery, handling or installation.
- Damage or failure to the product caused by operator abuse.
- Damage or failure to the product caused by dwelling fuse replacement or resetting of circuit breakers.
- Damage or failure caused by use of product in a commercial application.
- Service trips to dwelling to provide use or installation guidance.
- Light bulbs, metal or carbon filters and any other consumable part.
- Normal wear of finish.
- Wear to finish due to operator abuse, improper maintenance, use of corrosive or abrasive cleaning products/pads and oven cleaner products.

### WHO IS COVERED

This warranty is extended to the original purchaser for products purchased for ordinary residential use in North America (Including the United States, Guam, Puerto Rico, US Virgin Islands & Canada).

This warranty is non-transferable and applies only to the original purchaser and does not extend to subsequent owners of the product. This warranty is made expressly in lieu of all other warranties, expressed or implied, including, but not limited to any implied warranty of merchantability or fitness for a particular purpose and all other obligations on the part of Elica North America, provided, however, that if the disclaimer of implied warranties is ineffective under applicable law, the duration of any implied warranty arising by operation of law shall be limited to two (2) years from the date of original purchase at retail or such longer period as may be required by applicable law.

This warranty does not cover any special, incidental and/or consequential damages, nor loss of profits, suffered by the original purchaser, its customers and/or the users of the Products.

### WHO TO CONTACT

To obtain service under warranty or for any service related question:

- Elica North America Service, call at 1 888 732 8018
- For Eastern Canada, call AGI Services at 1 888 651 2534 Ask for the service department
- [elica@servicepower.com](mailto:elica@servicepower.com)

**Table des matières**

Avis de sécurité important .....	16
Exigences électriques et d'installation .....	17
Avant d'installer la hotte .....	17
Dimensions du produit .....	17
Liste des pièces .....	19
Pièces fournies .....	19
Pièces non fournies .....	19
Options de ventilation .....	20
Installation .....	21
Méthodes d'évacuation .....	21
installation sur le mur .....	22
Connexion Électrique.....	24
Achever l'installation .....	25
Description de la hotte .....	25
Commandes .....	26
Entretien .....	27
Garantie .....	28

**APPROUVÉ POUR LES APPAREILS DE TYPE RÉSIDENTIEL  
POUR UNE UTILISATION RÉSIDENTIELLE SEULEMENT  
LISEZ CES INSTRUCTIONS ET CONSERVEZ-LES**

**VEUILLEZ LIRE CES INSTRUCTIONS AU COMPLET AVANT DE COMMENCER.  
L'INSTALLATION DE L'APPAREIL DOIT RESPECTER TOUS LES CODES EN VIGUEUR.**

**IMPORTANT :** Conservez ces instructions afin de pouvoir les remettre à l'inspecteur-électricien de votre région.

**INSTALLATEUR :** Veuillez laisser ces instructions avec l'appareil pour le propriétaire.

**PROPRIÉTAIRE :** Veuillez conserver ces instructions pour pouvoir vous y référer plus tard.

**Avertissement de sécurité :** Coupez l'alimentation du circuit dans le panneau électrique et verrouillez le panneau avant de raccorder les fils de cet appareil.

**Exigence :** 120 V c.a., 60 Hz circuit de dérivation de 15 V c.a., 20 Hz, de 15 ou 20 A.



## ⚠️ AVIS DE SÉCURITÉ IMPORTANT

### ⚠️ ATTENTION

UTILISER CET APPAREIL À DES FINS DE VENTILATION GÉNÉRALE SEULEMENT. NE PAS UTILISER CET APPAREIL POUR ÉVACUER DES MATÉRIAUX OU DES VAPEURS DANGEREUX OU EXPLOSIFS.

### ⚠️ AVERTISSEMENT

POUR RÉDUIRE LES RISQUES D'INCENDIE, DE CHOC ÉLECTRIQUE ET DE BLESSURE, RESPECTER LES DIRECTIVES SUIVANTES:

- Utiliser cet appareil uniquement aux fins prévues par le fabricant. Si vous avez des questions à propos de l'appareil, communiquez avec le fabricant.
- Avant de faire l'entretien de l'appareil ou de le nettoyer, coupez l'alimentation dans le panneau électrique et verrouillez le panneau en bloquant le dispositif permettant d'empêcher d'activer l'alimentation accidentellement. S'il n'est pas possible de verrouiller l'accès au panneau, fixez une étiquette très voyante au panneau électrique.
- Une personne qualifiée doit effectuer l'installation et le câblage des fils électriques en conformité avec tous les codes et toutes les normes, y compris la cote de résistance au feu.
- Il est important de prévoir suffisamment d'air pour assurer une bonne combustion de l'équipement de chauffe et l'évacuation adéquates des gaz par le conduit de cheminé afin de prévenir les refoulements d'air. Respectez les directives et les normes de sécurité des fabricants de l'équipement de chauffage, comme celles publiées par la National Fire Protection Association (NFPA), la American Society for Heating, Refrigeration and Air Conditioning Engineers (ASHRAE) et le code des autorités de votre région.
- Au moment de couper ou de percer un mur ou un plafond, assurez-vous de ne pas endommager la filerie électrique ou tout autre accès à un service publique.
- Il faut toujours évacuer à l'extérieur les systèmes conduit.

### ⚠️ ATTENTION

Pour réduire les risques d'incendie et évacuer l'air correctement, assurez-vous que le conduit mène à l'extérieur; il ne faut pas évacuer l'air dans l'espace entre les murs, dans les plafonds, dans les greniers, les vides sanitaires ou les garages.

### ⚠️ AVERTISSEMENT

POUR RÉDUIRE DES RISQUES D'INCENDIE, UTILISEZ UNIQUEMENT DES CONDUITS EN MÉTAL.

Installez cette hotte en respectant toutes les exigences mentionnées.

### ⚠️ AVERTISSEMENT

Pour réduire les risques d'incendie et de choc électrique, n'utilisez pas cette hotte avec un contrôleur de vitesse à semi-conducteurs.

### ⚠️ ATTENTION

Dispositif à commande automatique - pour réduire le risque de Blessure Débrancher de l'alimentation électrique avant la maintenance.

### ⚠️ AVERTISSEMENT

POUR RÉDUIRE LES RISQUES D'INCENDIE DE GRAISSE SUR LES CUISINIÈRES.

- Ne laissez jamais la cuisinière sans surveillance lorsqu'elle est réglée à une haute température. Les débordements par bouillonnement causent de la fumée et des débordements de gras qui peuvent s'enflammer. Faites chauffer l'huile lentement, à une température basse ou moyenne.
- Faites toujours fonctionner la hotte lorsque vous utilisez la cuisinière à une haute température ou que vous faites flamber des aliments (P. ex.: crêpes Suzette, cerises jubilé, boeuf au poivre flambé).
- Nettoyez les hélices de ventilation fréquemment. Il ne faut pas que la graisse s'accumule sur les filtres ou les hélices.
- Utilisez le bon format de casserole. Utilisez toujours un chaudron de taille approprié à l'élément de la cuisinière.
- Convient pour utilisation dans la zone de cuisson domestique.

### ⚠️ AVERTISSEMENT

POUR ÉVITER DE BLESSER QUELQU'UN LORS D'UN INCENDIE DE GRAISSE SUR LA CUISINIÈRE, SUIVRE LES CONSEILS SUIVANTS:<sup>a</sup>

- ÉTOUFFER LES FLAMMES avec un couvercle aux dimensions de la tache de cuisson, une tôle à biscuit ou tout autre plateau métallique, puis couper le gaz ou l'alimentation électrique de la cuisinière. FAIRE ATTENTION A NE PAS SE BRÛLER. Si les flammes ne s'éteignent pas immédiatement, QUITTER LA PIÈCE ET APPELER LES POMPIERS.
- NE JAMAIS PRENDRE EN MAIN UNE CASSEROLE N FEU, vous pourriez vous blesser.
- NE PAS UTILISER D'EAU, y compris les essuies de vaisselle ou les serviettes humides - une violente explosion due à la vapeur formée pourrait survenir.
- Utiliser un extincteur SEULEMENT si:
  - Vous êtes sûr d'avoir un extincteur de classe ABC que vous savez utiliser.
  - Le feu est petit et confiné à la zone où il s'est formé.
  - Les pompiers ont été appelés.
  - Vous pouvez lutter contre le feu avec une sortie derrière vous.
- Les ventilateurs conduits doivent toujours être évacués vers l'extérieur.

a Recommandations tirées des conseils de sécurité en cas d'incendie de cuisine publiés par la NFPA.

## MODE OPÉRATOIRE

Toujours laisser les grilles de sécurité et les filtres à leur place. Sans la présence de ces derniers, les parties aspirantes pourraient attirer les cheveux, les doigts ou les vêtements.

Le fabricant décline toute responsabilité si les informations détaillées dans ce manuel pour l'installation, l'entretien et l'utilisation adéquate du produit ne sont pas observées. Le fabricant décline en outre toute responsabilité pour d'éventuelles blessures dues à des négligences; en outre, la garantie de l'appareil sera annulée suite à des conditions d'entretien inappropriées. Cet appareil est fabriqué pour un usage interne. Ne pas utiliser cet appareil à l'extérieur.



## ⚠ AVIS DE SÉCURITÉ IMPORTANT

### ⚠ AVERTISSEMENT

Pour réduire les risques d'incendie et de choc électrique, installez cette hotte qu'avec les modèles de moteurs internes, en ligne et externes d'une portée maximale de 7,7 A / 920 W, ou de moteurs internes fabriqués par Elica (pour les modèles de référence, voir le tableau des accessoires facultatifs).

MODÈLE DE HOTTE	Moteur interne (inclus avec le hotte)		Kit moteur In Line 1200 KIT0154387		Kit moteur externe 1200 KIT0153054		Kit Lampe chau- ffante (Voir le tableau des accessoires pour plus de références)		Kit Lampe chauffante + Kit moteur In Line 1200		Kit Lampe chauffante + Kit moteur externe 1200	
	A	W	A	W	A	W	A	W	A	W	A	W
ECL630S4	3.9	463	7.7	913	7.4	884	6.8	583	10.4	1020	10.2	991
ECL136S4	7.6	913	7.6	913	7.4	884	10.5	1033	10.4	1020	10.2	991
ECL142S4	7.6	913	7.6	913	7.4	884	10.5	1033	10.4	1020	10.2	991
ECL148S4	7.7	920	7.7	920	7.5	891	10.6	1040	10.4	1020	10.2	991

## EXIGENCES ÉLECTRIQUES ET D'INSTALLATION

### IMPORTANT

Respectez tous les codes et les ordonnances en vigueur.

Le client a la responsabilité de :

- Contacter un électricien-installateur.
- Vérifier que l'installation électrique est adéquate et conforme avec le Code national de l'électricité, ANSI/ NFPA 70 (la plus récente édition\*), ou les normes C22.1-94, Code canadien de l'électricité, Partie 1 et C22.2 No.0-M91 (La plus récente édition\*\*) de la CSA, ainsi que tous les codes et les ordonnances de votre région.
- Si le code le permet et que vous utilisez un fil de mise à la terre distinct, il est recommandé de faire vérifier le chemin du fil par un électricien.
- Ne pas mettre l'appareil à la terre sur une conduite de gaz.
- Consultez un électricien qualifié si vous n'êtes pas certain que la hotte est mise à la terre correctement.
- N'installez pas un fusible dans le circuit neutre ou le circuit de mise à la terre.

### IMPORTANT

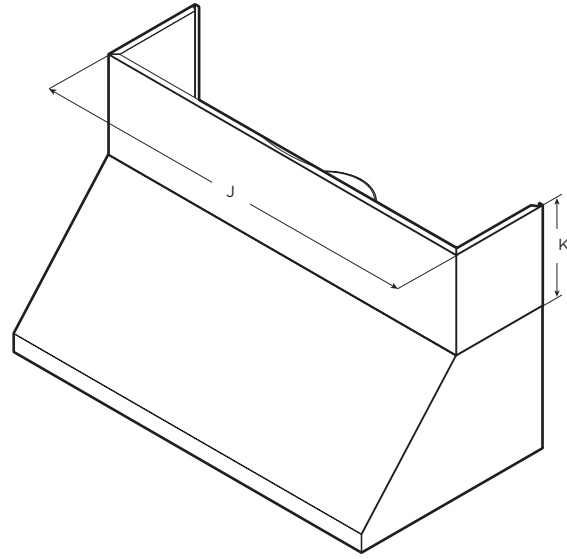
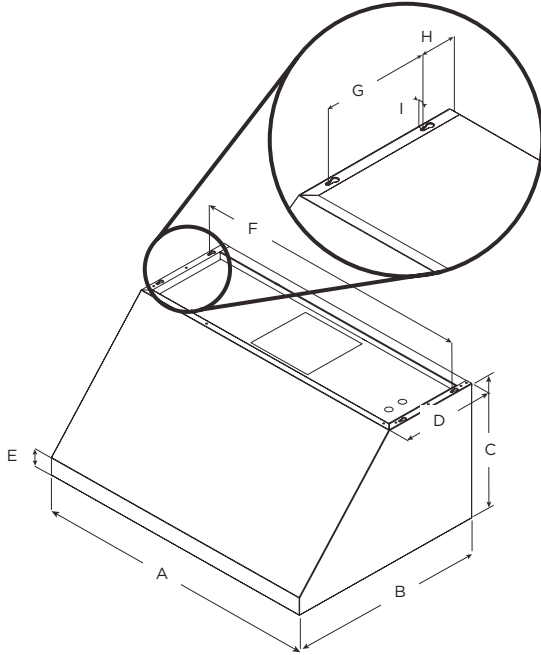
- Conservez ces instructions afin de pouvoir les remettre à l'inspecteur-électricien.
- La hotte doit être câblée uniquement à l'aide de fils de cuivre.
- Il faut raccorder la hotte directement à une boîte à fusible ou à un disjoncteur par l'entremise d'une canalisation électrique en métal.
- Le calibre de fil doit être conforme aux exigences du Code national de l'électricité, ANSI/NFPA 70 (La plus récente édition\*), ou les normes C22.1-94, Code canadien de l'électricité, Partie 1 et C22.2 O-M91 (La plus récente édition\*\*) de la CSA, ainsi que tous les codes et les ordonnances de votre région.
- Il faut prévoir un connecteur de canalisation approuvé par l'UL ou la CSA à chaque extrémité de la canalisation d'alimentation (À la hotte et à la boîte de jonction).

Vous pouvez obtenir un exemplaire des normes indiquées en vous adressant à :  
\* La National Fire Protection Association, Batterymarch Park Quincy, Massachusetts, 02269  
\*\* La CSA International, 8501 East Pleasant Valley Road, Cleveland, Ohio, 44131-5575

### AVANT D'INSTALLER LA HOTTE

- 1 Pour assurer la ventilation la plus efficace possible, installez la conduite en ligne droite ou avec le moins de coudes possibles.  
ATTENTION : La sortie de la conduite de ventilation doit donner sur l'extérieur.
- 2 Deux personnes sont nécessaires pour effectuer l'installation.
- 3 La quincaillerie fournie permet de fixer la hotte à la plupart des murs et des plafonds; consultez un installateur qualifié pour vous assurer que la quincaillerie fournie est adaptée à votre type de mur ou d'armoire.
- 4 N'utilisez pas de conduit flexible.
- 5 Dans le cas des endroits sujets aux TEMPÉRATURES FROIDES, il faut installer un clapet de contre-tirage supplémentaire afin de minimiser le retour d'air froid et un isolant thermique non métallique afin de minimiser la conduction de la température extérieur dans le conduit. Il faut placer le clapet du côté de l'air froid de l'isolant thermique.  
L'isolant doit être placé le plus près possible de l'endroit où le conduit entre dans la partie chauffée de la maison.
- 6 Air d'appoint : Le code du bâtiment de votre région peut exiger l'utilisation d'un système d'air d'appoint si vous utilisez un système de ventilation à conduit dont le mouvement d'air dépasse un certain nombre de CFM. Le nombre de pi<sup>3</sup>/min varie d'une région à l'autre. Consultez un professionnel de CVC pour connaître les exigences précises de votre région.

# DIMENSIONS DU PRODUIT



	Modèles			
	<b>ECL630S4</b>	<b>ECL136S4</b>	<b>ECL142S4</b>	<b>ECL148S4</b>
<b>A</b>	30"(76 cm)	36"(91.1 cm)	42"(106.5 cm)	48"(121.7 cm)
<b>B</b>	25" (63.5 cm)			
<b>C</b>	18" (45.7 cm)			
<b>D</b>	12" (30.3 cm)			
<b>E</b>	1½" (5.7 cm)			
<b>F</b>	29½" (74 cm)	35½" (89.2 cm)	41½" (104.5 cm)	47½" (119.7 cm)
<b>G</b>	7½" (19 cm)			
<b>H</b>	2¾" (6.5 cm)			
<b>I</b>	¾" (1 cm)			

Cache Conduit Kit	J	K
<b>KIT02159</b>	30" (76.2 cm)	6" (15.2 cm)
<b>KIT02158</b>	36" (91.54 cm)	
<b>KIT02622</b>	42" (106.5 cm)	
<b>KIT02164</b>	48" (121.7 cm)	
<b>KIT02160</b>	30" (76.2 cm)	12" (30.5 cm)
<b>KIT02161</b>	36" (91.54 cm)	
<b>KIT02623</b>	42" (106.5 cm)	
<b>KIT02165</b>	48" (121.7 cm)	

## Accessoires optionnel

Accessoire	# Part			
	<b>ECL630S4 30" (76.2 cm)</b>	<b>ECL136S4 36" (91.54 cm)</b>	<b>ECL142S4 42" (106.5 cm)</b>	<b>ECL148S4 48" (121.7 cm)</b>
<b>Caché Conduit Extension Kit 6"</b>	KIT02159	KIT02158	KIT02622	KIT02164
<b>Caché Conduit Extension Kit 12"</b>	KIT02160	KIT02161	KIT02623	KIT02165
<b>Lampe chauffante w/ 2 - kit ampoules 175W</b>	KIT0155106	KIT0155107	KIT0155110	KIT0155111
<b>Kit de dossier et de supports chauds en acier inoxydable</b>	KIT0142864	KIT0142867	KIT0142868	KIT0142870
<b>Moteur in Line 1200 Kit</b>	KIT0154387			
<b>Moteur Externe 1200 Kit</b>	KIT0153054			

## LISTE DES PIÈCES

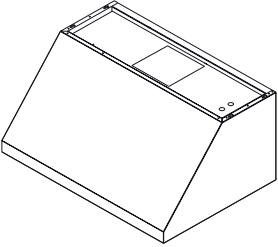
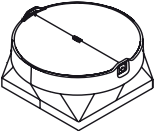


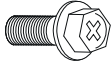




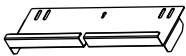
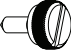
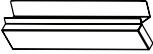
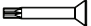
Retirer les pièces de leur emballage.

### ⚠ ATTENTION

Enlever délicatement le carton, porter des gants pour se protéger des bords coupants.

### ⚠ AVERTISSEMENT

Enlever le film de protection recouvrant le produit avant de commencer l'opération.

Pièces Fournies	Quantité	Pièces Fournies	Quantité
 <p>Assemblage hotte avec lampes DEL</p>	1	 <p>Transition ronde de 10"</p>	1
 <p>6x80 mm</p>	4	 <p>Rondelles Ø 6,4x11 mm</p>	5
 <p>6x16 mm</p>	5	 <p>Rondelles Ø 5,3x20 mm</p>	2
 <p>3,5x9,5 mm</p>	4	 <p>10x50 mm</p>	2
 <p>4.2x19 mm</p>	6	 <p>Support du plateau d'égouttement</p>	30", 36", 42": 1 48": 2
 <p>Vis de plateau d'égouttement</p>	4	 <p>Plateau d'égouttement</p>	30", 36", 42": 2 48": 3
 <p>Adaptateur Torx 20</p>	1		

### Pièces non fournies

#### Outils nécessaires

- Perceuse
- Foret de 1/4" (3,0 cm)
- Foret de 1/16" (4,8 mm)
- Foret de 1/8" (3,0 mm) pour avant-trous
- Crayon
- Pince à dénuder ou couteau utilitaire
- Ruban à mesurer ou règle
- Pistolet à calfeutrage et composé de calfeutrage résistant aux intempéries
- Tournevis à lame plate
- Tournevis Philips
- Scie sauteuse ou scie à guichet
- Cisaille de ferblantier

#### Pièces nécessaires

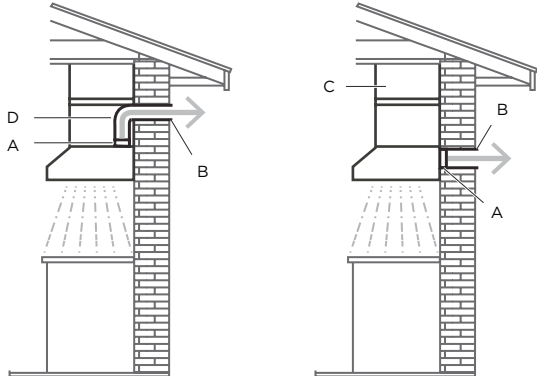
- Câble d'alimentation domestique
- Serre-câble de 1/2" (12,7 mm) (homologation UL ou CSA)
- 3 connecteurs de fils homologués UL
- Bouche de décharge murale ou à travers le toit correspondant au système d'évacuation
- Système de conduit d'évacuation métallique

## Options de ventilation

Suivez à la lettre les directives présentées dans ce manuel. Le fabricant refuse toute responsabilité en ce qui a trait à tout préjudice, dommage ou incendie causé par la non observation des directives contenues dans le présent manuel.

### Évacuation horizontale

La hotte est dotée d'une transition 10" (25,4 cm) afin d'évacuer les vapeurs à l'extérieur.

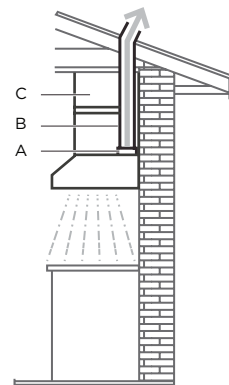


A. Transition de 10" (25,4 cm)  
B. Conduit rond de 10" (25,4 cm)

C. Placard  
D. 90° coude

### Évacuation verticale

La hotte est dotée d'une transition 10" (25,4 cm) afin d'évacuer les vapeurs à l'extérieur.



A. Transition de 10" (25,4 cm)  
B. Conduit rond de 10" (25,4 cm)  
C. Placard

### Préparation

Ne coupez pas une solive ou un montant à moins qu'il soit absolument nécessaire de le faire. Si vous devez couper une solive ou un montant, vous devez construire un cadre de soutien. La quincaillerie fournie permet de fixer la hotte à la plupart des murs et des plafonds.

Vous devez cependant demander à un technicien qualifié de vérifier la solidité des matériaux selon le type de mur ou de plafond.

Avant de couper, assurez-vous qu'il y a un dégagement suffisant dans le plafond ou le mur pour passer la conduite de sortie.

### ⚠ ATTENTION

Pour l'installation des cuisiniers à gaz: Installer cette hotte de sorte que le rebord inférieur est à 30" (76,2 cm) au-dessus de la surface de cuisson.

Pour l'installation des cuisiniers électriques / induction: Installer cette hotte de sorte que le rebord inférieur est pas moins de 24" (61 cm) sur la surface de cuisson.

Il est recommandé d'installer cette hotte plus de 36" (91,4 cm) au-dessus de la surface de cuisson. Par pouce (2,54 cm) supérieure à 36 (91,4 cm) diminuera l'efficacité de la capture de la fumée et de l'humidité, et la performance de ventilation.

S'IL VOUS PLAÎT LIRE L'INSTALLATION POUR UNE INSTALLATION SPÉCIFIQUE. Avant de choisir la hotte, vérifiez la hauteur du plafond et la hauteur maximale de la hotte.

# Installation

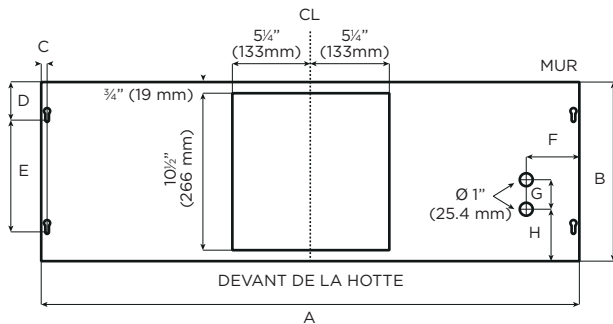
- Il est recommandé d'installer le système d'évacuation avant de procéder à l'installation de la hotte.
- Si l'on installe un dossier avec des tablettes pour les lampes à rayons infrarouges, suivre les instructions fournies avec ce produit-là.
- Avant d'exécuter les découpages, vérifier la disponibilité d'un dégagement suffisant dans le plafond ou le mur pour le conduit d'évacuation.
- Vérifier que les pièces d'installation ont été retirées du carton d'expédition.

- 1 Déconnecter la source de courant électrique.
- 2 Déterminer la méthode d'évacuation à utiliser: par le toit ou le mur.  
**REMARQUE:** Cette hotte est configurée pour expulser l'air par la sortie supérieure. Si vous décidez d'utiliser la sortie arrière, vous devez retirer le couvercle arrière et le placer sur la sortie supérieure.
- 3 Sélectionner une surface plane pour l'assemblage de la hotte. Placer le matériau de protection sur cette surface.

## Methodes d'evacuation

### Évacuation extérieure par la haute de la hotte

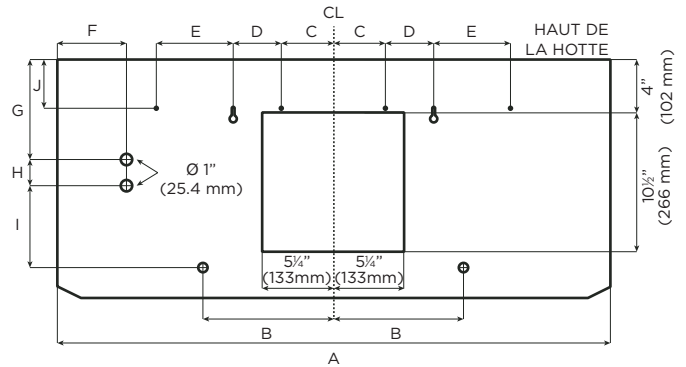
(Conduit horizontal rectangulaire de Ø 10" (25,4 cm))  
Utiliser le schéma ou la hotte comme patron et indiquer sur l'armoire l'emplacement des conduits, des fils électriques et les fentes réglables pour les vis.



	ECL630S3	ECL136S3	ECL142S3	ECL148S3
A	30" (760 mm)	36" (912 mm)	42" (1066 mm)	48" (1217 mm)
B		12" (305 mm)		
C		1" (25.4 mm)		
D		2 1/8" (65 mm)		
E		7 1/2" (190 mm)		
F	3 3/8" (90 mm)		5 1/8" (150 mm)	6 1/8" (164 mm)
G		2" (50 mm)		
H		3 1/2" (89 mm)		

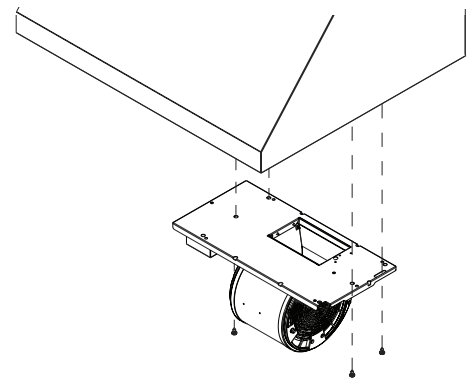
### Évacuation extérieure par l'arrière de la hotte

(Conduit horizontal rectangulaire de Ø 10" (25,4 cm))  
Utiliser le schéma ou la hotte comme patron et indiquer sur le mur l'emplacement des conduits, des fils électriques et les fentes réglables pour les vis.

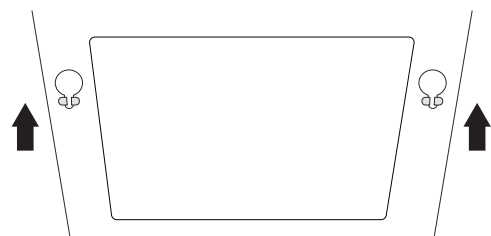


	ECL630S3	ECL136S3	ECL142S3	ECL148S3
A	30" (760 mm)	36" (912 mm)	42" (1066 mm)	48" (1217 mm)
B		9 1/8" (250 mm)		
C		4" (100 mm)		
D		7 3/8" (192.6 mm)		
E	3 3/8" (87 mm)	5" (127 mm)	5 1/8" (147 mm)	6 1/8" (167 mm)
F		2 1/8" (75 mm)	5 1/8" (135 mm)	5 7/8" (149 mm)
G		7 1/2" (192 mm)		
H		2" (50 mm)		
I		6 1/8" (157 mm)		
J		3 1/8" (94 mm)		

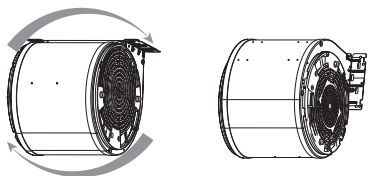
- 1 Retirer les filtres à graisse.
- 2 Retirez les vis du moteur.



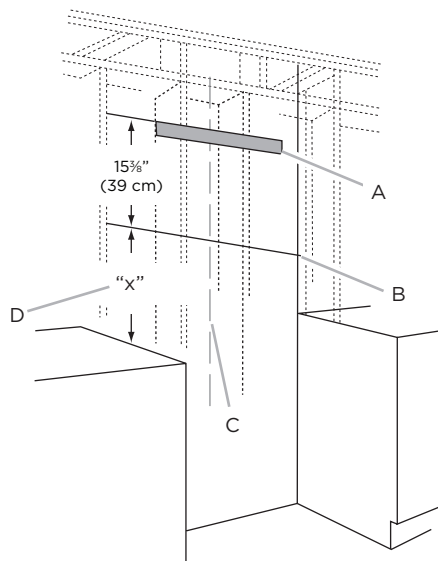
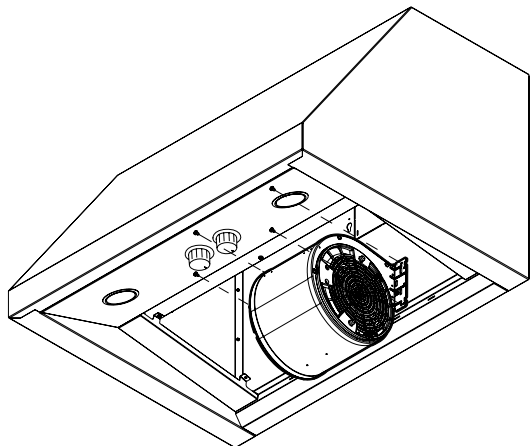
- 3 Libérer les deux clips de moteur de la partie supérieure du hotte.



4 Tournez la base du moteur à l'arrière de la hotte.



5 Insérez les deux clips de moteur vers la face arrière de la hotte. Fixer avec les quatre vis du montage avec précédemment publiée.



A. Support en bois  
B. Bas de la hotte  
C. Axe central

D. Dimension "X" = hauteur de montage de la hotte

**REMARQUE:** Les vis fournies pour le montage de cette hotte doivent être fixées dans du bois massif. Ne pas fixer uniquement dans du placo-plâtre.

#### Achever la préparation

- Déterminer et marquer sur le mur ou le plafond toutes les lignes de découpage nécessaires pour le passage du circuit d'évacuation. Installer le système d'évacuation avant la hotte. Voir la section "Exigences concernant l'évacuation".
- Déterminer l'emplacement de passage du câble d'alimentation à travers le mur.
- Percer un trou de 1 1/4" (3,2 cm) à cet endroit.
- Tirer suffisamment de câble d'alimentation à travers le mur pour permettre un raccordement facile jusqu'à la boîte de connexion.
- Retirer le couvercle de la boîte à bornes et mettre de côté.
- Enlever le débouchure à l'arrière de la hotte et installer un serre-câble 1/2" (1,3 cm) homologué UL ou homologué CSA.
- Placez la hotte près de sa position de montage et faites passer le câble d'alimentation à travers la décharge de traction dans la boîte à bornes (assez pour effectuer la connexion).
- Serrez les vis de décharge de traction.

#### Montage de la hotte

La hotte se fixe au mur à l'aide de 2 vis de montage dans le support en bois monté sur le mur dans la section "Installation des vis de montage de la hotte"..

- À l'aide d'au moins 2 personnes, suspendre la hotte au mur en plaçant les fentes de l'arrière de la hotte sur les 2 vis montées sur le support en bois monté sur le mur.

**REMARQUE:** Si votre installation utilise le cache-conduit facultatif, le système de ventilation doit être connecté à la hotte et le cache conduit monté au sommet de la hotte avant de serrer les vis de montage.

## Installation sur le mur

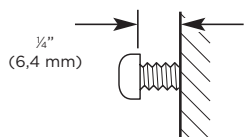
### ⚠ AVERTISSEMENT

UTILISER DEUX OU PLUS DE PERSONNES POUR DÉPLACER ET INSTALLER LA HOTTE DE LA CUISINIÈRE. LE NON-RESPECT DE CETTE INSTRUCTION PEUT CAUSER UNE BLESSURE AU DOS OU D'AUTRE BLESSURE.

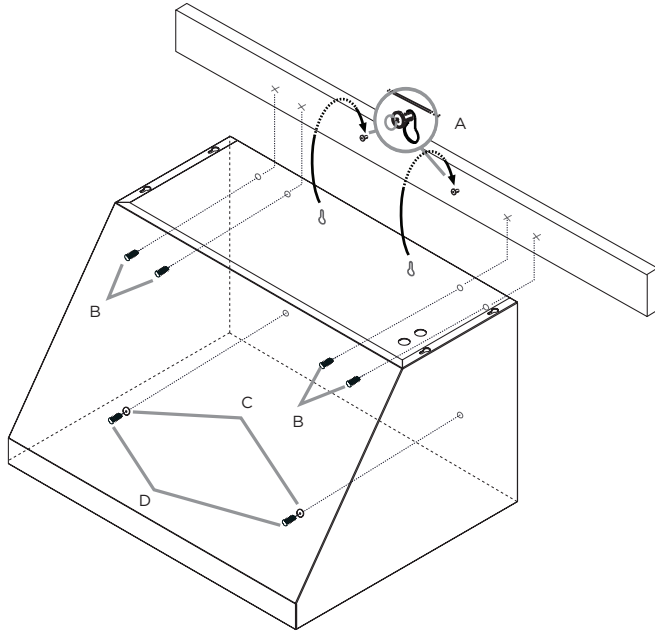
**Important: Le support doit être capable de supporter un poids de 150 lbs.**

La hotte est fixée au mur avec le support en bois qui est fixé à l'arrière de la hotte.

- Déterminer l'emplacement de l'axe central sur le mur à l'endroit où la hotte sera installée et le tracer.
- Sélectionner une hauteur de montage "X" comprise entre un minimum de 24" (61 cm) pour une surface de cuisson électrique ou un minimum de 30" (76,2 cm) pour une surface de cuisson au gaz et un maximum suggéré de 36" (91,4 cm), entre le dessus de la surface de cuisson et le bas de la hotte.
- Marquer une ligne de repérage horizontale sur le mur.
- Ôter le support en bois de l'arrière de la hotte en desserrant les 2 vis de l'intérieur. Placer et mettre d'aplomb le support en bois de 15 3/8" (39,1 cm) au-dessus de la ligne de repérage horizontale et le centrer sur la ligne verticale. Installer le support en bois à l'aide de 2 à 4 vis de 6 x 80 mm de façon à ce qu'il soit vissé dans au moins 2 goujons verticaux.
- Laisser un espace d'environ 1/4" (6,4 cm) entre les têtes des vis et le placard pour faire glisser la hotte et la mettre en place.



- 2 Pousser la hotte dans les fentes étroites, aligner le bas de la hotte sur la ligne horizontale, établir l'aplomb la hotte, et serrer les 2 vis de montage.
- 3 Marquer les emplacements des 2 trous de montage inférieurs. Percer des avant-trous de  $\frac{1}{8}$ " (0,32 cm) si les trous sont situés dans du bois. Si les trous ne sont pas situés dans du bois, percer deux avant-trous de  $\frac{3}{8}$ " (0,95 cm) et insérer des chevilles d'ancrage mural de 10 x 50 mm. Installer les 2 vis de 6 x 80 mm (avec des rondelles D5,3 x 20 mm) dans les chevilles de montage inférieures et serrer.

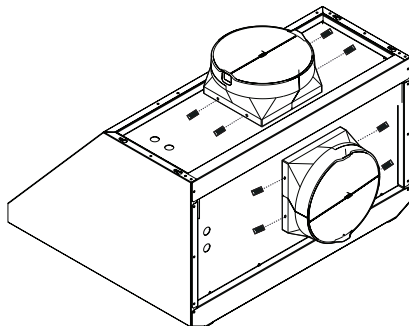


- A. Vis de montage
- B. 4 vis de 4,2 x 19 mm
- C. 2 rondelles D5,3 x 20 mm
- D. 2 vis de 6 x 80 mm

- 4 Insérer 4 vis de 4,2 x 19 mm à travers l'arrière de la hotte dans le support en bois et serrer.
- 5 Connecter le circuit d'évacuation à la hotte. Utiliser des brides de serrage pour sceller chaque connexion.

#### Installation de la transition

- Installer le raccord de transition (pour conduit carré de 10" [25,4 cm] et conduit rond de 10" [25,4 cm]) avec volet de réglage au sommet de la hotte ou son arrière (selon votre installation) à l'aide de 4 vis de 3,5 x 9,5 mm.

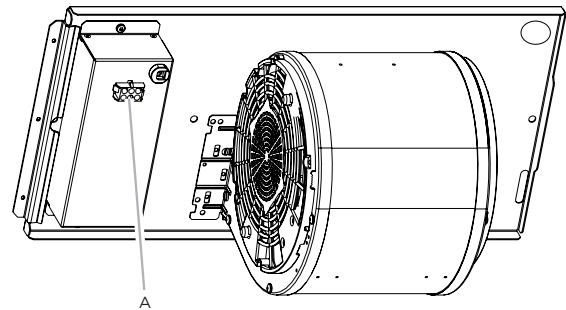


**REMARQUE:** Le joint/soupape d'évacuation peut être installé jusqu'à 2,5 cm (1 inch) de part et d'autre du centre de la hotte pour permettre le décentrage des conduits. Dans le cas de systèmes d'évacuation très décentrés, la partie terminale du conduit d'évacuation peut être modifiée pour dégager l'attache du fil électrique.

#### Installation du moteur du ventilateur interne de la hotte

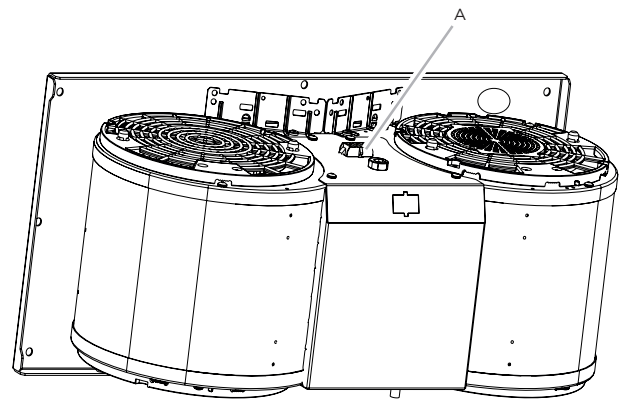
- 1 Retirer les filtres à graisse de la hotte. Voir la section "Entretien".
- 2 Installer le moteur du ventilateur de la hotte à l'intérieur de l'auvent, connexion du câblage à gauche pour le système à ventilateur unique et à l'avant ou au-dessus pour le système à deux ventilateurs.

##### Ensemble à un seul moteur-ventilateur



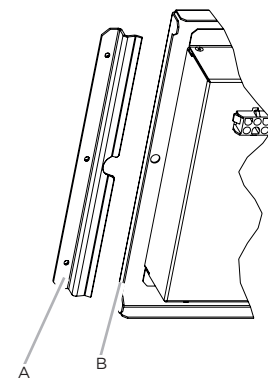
A. Connexion du câblage

##### Ensemble à deux moteurs-ventilateurs



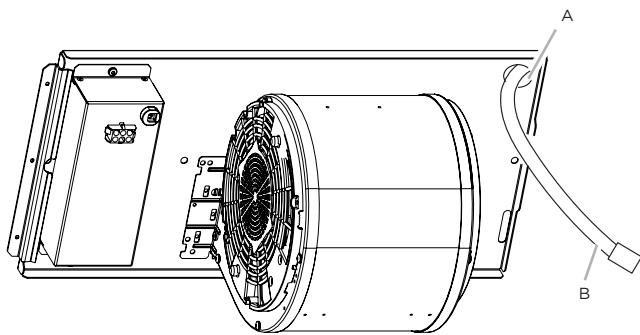
A. Connexion du câblage

- 3 Glisser le rebord gauche de la plaque de montage sous le support de montage du moteur.



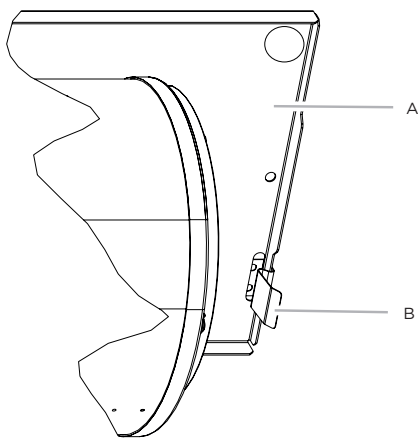
A. Support de montage du moteur  
B. Rebord gauche de la plaque de montage

- 3 Passer les câbles d'alimentation et le connecteur de la hotte par le trou de droite sur la plaque de montage du moteur.



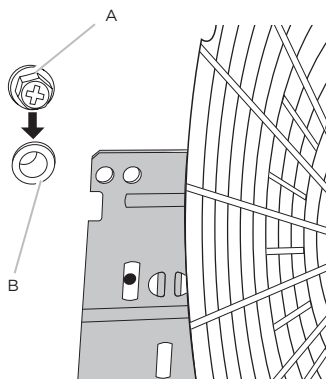
A. Trou de la plaque de montage du moteur  
B. Câbles d'alimentation et connecteur

- 4 Pousser vers le haut le côté d'avant de la plaque de montage du moteur et l'enclencher dans la languette à ressort.  
**REMARQUE:** La languette à ressort doit être à l'extérieur de la fente de la plaque de montage.



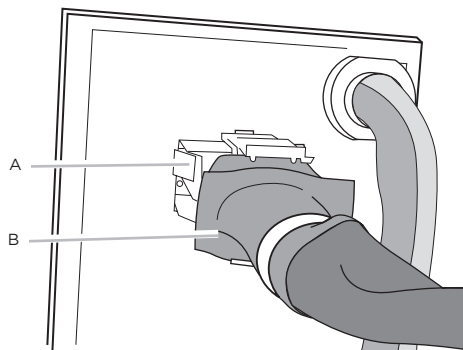
A. Support de montage du moteur  
B. Plaque de montage

- 5 Aligner les trous de montage, puis visser les vis de 6 x 16 mm et rondelles de blocage de 6,4 mm.



A. Vis avec rondelle-frein  
B. Trou de montage

- 6 Brancher le connecteur de l'alimentation électrique de la hotte au connecteur qui se trouve sur le boîtier de connexion de l'ensemble moteur-ventilateur.



A. 4 vis de montage- 4x8 mm  
C. Vis de sécurité

## Connexion Électrique

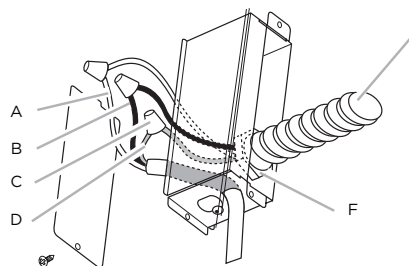
### ⚠️ AVERTISSEMENT

RISQUE DE CHOC ÉLECTRIQUE.

### ⚠️ AVERTISSEMENT

DÉCONNECTER LA SOURCE DE COURANT ÉLECTRIQUE AVANT L'ENTRETIEN. REPLACER PIÈCES ET PANNEAUX AVANT DE FAIRE LA REMISE EN MARCHÉ. LE NON-RESPECT DE CES INSTRUCTIONS PEUT CAUSER UN DÉCÈS OU UN CHOC ÉLECTRIQUE.

- Ôter l'opercule arrachable du boîtier de connexion et installer un serre-câble de ½" (homologation UL ou CSA).



A. Conducteurs blancs  
B. Conducteurs noirs  
C. Connecteurs de fils (homologation UL)

D. Conducteurs verts (ou nus) ou vert-jaune de liaison à la terre  
E. Câble d'alimentation électrique du domicile  
F. Serre-câble (homologation UL ou CSA)

- Ôter l'opercule arrachable du boîtier de connexion et installer un serre-câble de ½" (homologation UL ou CSA).

### ⚠️ AVERTISSEMENT

RISQUE DE CHOC ÉLECTRIQUE.

### ⚠️ AVERTISSEMENT

DÉCONNECTER LA SOURCE DE COURANT ÉLECTRIQUE AVANT L'ENTRETIEN. REPLACER PIÈCES ET PANNEAUX AVANT DE FAIRE LA REMISE EN MARCHÉ. LE NON-RESPECT DE CES INSTRUCTIONS PEUT CAUSER UN DÉCÈS OU UN CHOC ÉLECTRIQUE.

- À l'aide des connecteurs de fils (homologation UL), connecter le conducteur de liaison à la terre (vert ou nu) du câble d'alimentation du domicile au conducteur vertjaune de liaison à la terre (D) dans le boîtier de connexion.
- Installer le couvercle du boîtier de connexion.
- Reconnecter la source de courant électrique.



## Achever l'installation

Mettez en place le filtre à graisse.  
Vérifier le fonctionnement de la hotte.

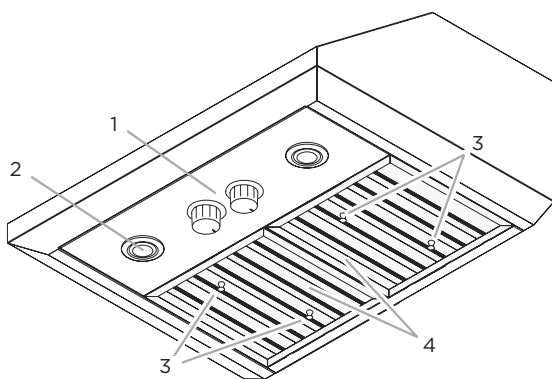
### Si la hotte ne fonctionne pas:

- Vérifiez que le disjoncteur ne s'est pas déclenché ou que le fusible n'est pas grillé.
- Débranchez l'alimentation. Vérifiez que les raccords électriques ont été effectués correctement.

Pour utiliser votre nouvelle hotte de façon optimale, lisez la section intitulée "Entretien".

Gardez vos instructions d'installations et d'utilisation près de la hotte pour pouvoir vous y référer facilement.

## Description de la hotte



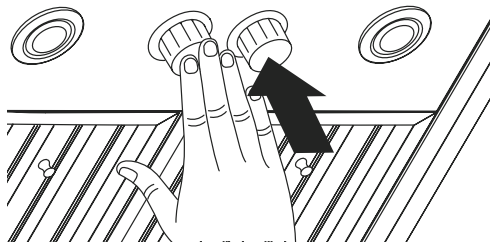
1. Commandes du ventilateur et lampes
2. Lampes DEL
3. Poignée du filtre à graisse
4. Filtre à graisse

## Commandes

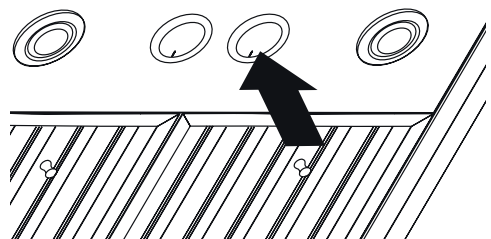
La hotte de cuisinière est conçue pour extraire fumée, vapeurs de cuisson et odeurs de la zone de la table de cuisson. Pour obtenir les meilleurs résultats, mettre le ventilateur de la hotte en marche avant d'entreprendre une cuisson, et laisser le ventilateur fonctionner pendant plusieurs minutes après l'achèvement d'une cuisson pour pouvoir évacuer de la cuisine toute trace d'odeur de cuisson, vapeur ou fumée. Les commandes de la hotte sont situées sur le côté central de la hotte.

### Cache les boutons

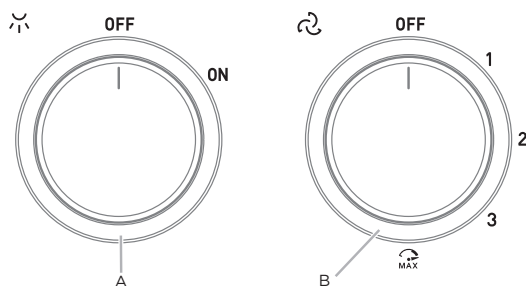
- Vous pouvez masquer les boutons de contrôle en les poussant vers le bas.



- Appuyez à nouveau pour afficher à nouveau les boutons de commande et activer les fonctions des lumières et du ventilateur.



### Commandes



A. Commutateur de lampe  
B. Commutateur de ventilateur

### Pour faire fonctionner les lampes

- Tournez le commutateur d'éclairage sur la position "ON" pour allumer les lumières.
- Placer le commutateur d'éclairage à la position "OFF" (arrêt) pour éteindre les lumières.

### Utilisation du ventilateur

- Tournez le bouton du ventilateur à "1" pour allumer la hotte.
- Tournez le commutateur du ventilateur à la position de vitesse désiré.
- Tournez le commutateur du ventilateur à la position "MAX" pour mettre la hotte Haut.
- Tournez le commutateur du ventilateur à la position "OFF" pour éteindre le ventilateur de la hotte.

### Activation automatique du ventilateur

La hotte de cuisine est équipée d'un capteur qui met le ventilateur automatiquement en marche lorsqu'un niveau de chaleur excessif est détecté dans la zone de commande. Lorsque le commutateur du ventilateur est à la position "Off", ce capteur met en marche le ventilateur à la vitesse élevée lorsque c'est nécessaire. Lorsque le niveau de chaleur diminue, le ventilateur s'éteint. Lorsque l'interrupteur du ventilateur est à la position "On", le capteur de chaleur est inactif et la hotte fonctionne normalement.

## Nettoyage

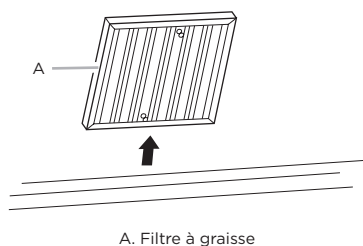
### Surfaces externes:

Afin d'éviter d'endommager la surface externe, ne pas utiliser de tampons en laine d'acier ou de tampons à récurer savonneux. Ne pas utiliser de nettoyants à base de chlore. Frotter dans la direction des lignes du grain pour ne pas détériorer la surface. Toujours essuyer pour éviter de laisser des marques d'eau.

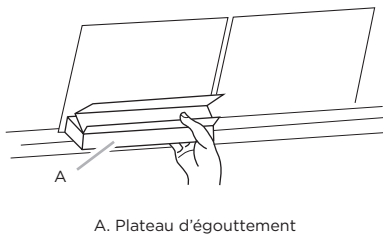
- Nettoyant et poli pour acier inoxydable.
- Détergent liquide doux et eau.
- Frotter avec un chiffon doux humide ou une éponge non abrasive, puis rincer avec de l'eau propre et essuyer.

### Filtres métalliques et plateaux d'égouttement:

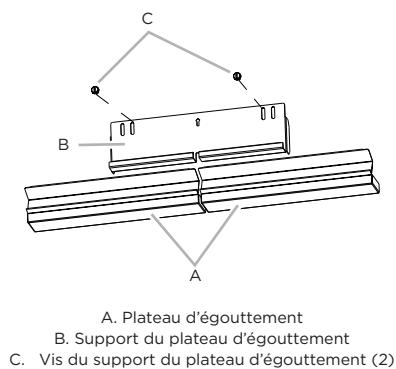
1. Utiliser les 2 mains pour retirer les filtres.
2. Saisir les poignées du filtre, tirer vers l'avant de la hotte et tirer sur la poignée arrière pour retirer le filtre. Répéter pour chaque filtre.



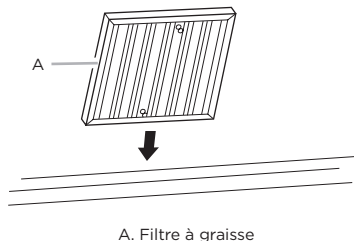
3. Retirer le plateau d'égouttement à graisse.



4. Placez le support du plateau d'égouttement à l'aide des vis fournies.



5. Laver les filtre métalliques et les plateaux à graisse selon le besoin au lave-vaisselle ou avec une solution de détergent chaude.
6. Réinstaller le plateau d'égouttement à graisse.
7. Réinstaller les filtres: saisir les poignées du filtre et placer le rebord avant du filtre dans la hotte.
8. Pour bien fixer le filtre, pousser vers le haut sur la poignée arrière et installer l'arrière du filtre dans la plateau d'égouttement. Répéter pour chaque filtre.

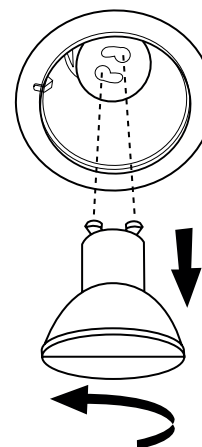


### Remplacement de la lampe à DEL

Interrompre l'alimentation de la hotte; attendre le refroidissement de la lampe à DEL. Pour éviter d'endommager ou de réduire la longévité de l'ampoule neuve, ne pas toucher l'ampoule avec les doigts nus. Remplacer l'ampoule en la manipulant avec un mouchoir de papier ou des gants de coton.

Si les nouvelles lampes ne fonctionnent pas, vérifier que chaque lampe est correctement insérée dans sa douille avant de demander l'intervention d'un réparateur.

- 1 Déconnecter la source de courant électrique.
- 2 Pousser la plaque de verre vers le haut et la tourner dans le sens antihoraire.
- 3 Retirer l'ampoule et la remplacer par une ampoule DEL de 120 volts, 7,5 watt maximum avec culot GU10. La tourner dans le sens horaire pour l'emboîter.
- 4 Répéter les étapes 2 à 3 pour les autres ampoules, si nécessaire.
- 5 Reconnecter la source de courant électrique.



## **POUR OBTENIR UN DEPANNAGE SOUS GARANTIE**

Le propriétaire doit présenter une preuve de la date d'achat. Garder une copie de votre preuve d'achat datée (ticket de caisse) de façon à pouvoir bénéficier du service après-vente sous garantie.

## **GARANTIE PIÈCES DE RECHANGE ET MAIN D'OEUVRE**

Pendant une période de deux (2) ans à partir de la date d'achat, Elica s'engage à fournir gratuitement les pièces de rechange ou les composants autres que les recharges ayant des défauts de fabrication.

Durant cette garantie de deux (2) ans, Elica fournira également gratuitement, toute la main d'oeuvre et le service à domicile pour remplacer d'éventuelles pièces défectueuses.

## **CE QUE LA GARANTIE NE COUVRE PAS**

- Dégât ou panne du produit causé par un accident ou un cas de force majeure tels que inondation, incendie ou tremblement de terre.
- Dégât ou panne du produit causé par modification du produit ou utilisation de pièces pas d'origine.
- Dégât ou panne du produit causé lors de la livraison, de la manipulation ou de l'installation.
- Dégât ou panne du produit causé par une mauvaise utilisation.
- Dégât ou panne du produit causé par un remplacement des fusibles ou une remise en fonction des disjoncteurs par le propriétaire.
- Dégât ou panne du produit causé par une utilisation du produit pour raison commerciale.
- Déplacement à domicile pour explication d'utilisation ou d'entretien.
- Ampoules, filtres métalliques ou au charbon et toute autre pièce consommable.
- Usure normale.
- Usure due à une mauvaise utilisation du propriétaire, un entretien incorrect, une utilisation de substances nettoyantes corrosives ou abrasives et produits de nettoyage pour four.

## **QUI EST COUVERT**

Cette garantie s'étend à l'acheteur original de produits achetés pour un usage domestique habituel en Amérique du Nord (Y compris Etats Unis, Guam, Porto Rico, les Iles virgins Américaines & le Canada).

Cette garantie n'est pas transférable et vaut uniquement pour l'acheteur original et ne s'étend pas aux propriétaires successifs du produit. Cette garantie vaut expressément en lieu et place de toute autre garantie, expresse ou sous-entendue, mais ne limite pas toute autre garantie sous-entendue de marchandage ou adaptation dans un but particulier et toute autre obligation de la part de Elica North America, étant entendu, cependant, que si la réclamation pour garanties sous-entendues n'est pas applicable aux yeux de la loi en vigueur, la durée de toute garantie sous-entendue émanant de la loi doit être limitée à deux (2) ans à partir de la date d'achat du produit ou à une période plus longue selon ce que dit la loi en vigueur.

Cette garantie ne couvre pas tout dégât particulier, accidentel et/ou consécutif, ni les pertes et profits, à charge du propriétaire, des ses clients et/ou des utilisateurs Des produits.

## **QUI CONTACTER**

Pour obtenir un Service Après-vente durant la Garantie ou pour toute autre Question liée au Service Après-vente:

Appeler:

- Service Après-vente autorisé Elica North America au (888) 732-8018
- Pour l'Est du Canada, composez le 1-888 651 2534 *Demandez le service après-vente*

**Contenido**

Aviso de seguridad importante .....	30
Requisitos eléctricos y de instalación .....	32
Antes de instalar la campana .....	32
Dimensiones del producto .....	33
Lista de materiales .....	34
Piezas suministradas .....	34
Piezas no suministradas .....	34
Opciones de ventilación .....	35
Instalación .....	36
Métodos de ventilación .....	36
Instalación en la pared .....	37
Conexión eléctrica .....	40
Complete la instalación .....	40
Descripción de la campana .....	41
Control .....	41
Mantenimiento .....	42
Garantía .....	43

**APROBADO PARA APARATOS DE USO DOMÉSTICO  
SÓLO PARA USO DOMÉSTICO  
LEA Y GUARDE ESTAS INSTRUCCIONES**

**ANTES DE CONTINUAR, LEA LAS INSTRUCCIONES POR COMPLETO.  
LA INSTALACIÓN DEBE CUMPLIR TODA LA NORMATIVA LOCAL.**

**IMPORTANTE:** Guarde estas instrucciones para su uso por parte del inspector de electricidad local.

**INSTALADOR:** Entregue al propietario estas instrucciones junto con la unidad.

**PROPIETARIO:** Conserve estas instrucciones para futuras consultas.

**Advertencia de seguridad:** Antes de realizar el cableado de este aparato, desactive el circuito de energía eléctrica en el panel de servicio y desbloquee el panel.

**Requisito:** Circuito auxiliar de 120 V AC, 60 Hz. 15 ó 20 A.

CAMPANA PURIFICADORA

Marca: ELICA

Modelos: ECL630S3, ECL136S3, ECL142S3, ECL148S3

Contenido: 1 pza

Hecho en México

Fabricado por: ELICAMEX S.A. de C.V.

Dirección: Av. La Noria No. 102 int. S/N Col. Parque Industrial Querétaro

Del. Santiago de Querétaro, C.P. 76220 Querétaro,

R.F.C. EII060102RK8

## AVISO DE SEGURIDAD IMPORTANTE

### PRECAUCIÓN

SÓLO PARA USO DE VENTILACIÓN GENERAL. NO UTILIZAR PARA EXPULSAR VAPORES O MATERIALES PELIGROSOS O EXPLOSIVOS.

### ADVERTENCIA

PARA REDUCIR EL RIESGO DE FUEGO, DESCARGA ELÉCTRICA O LESIONES PERSONALES, RESPETE LO SIGUIENTE:

- A. Utilice esta unidad solamente en el modo que indica el fabricante. En caso de duda, póngase en contacto con el fabricante.
- B. Antes de reparar o limpiar la unidad, desconecte la alimentación en el panel de servicio y bloquee los medios de desconexión del panel de servicio para evitar la conexión accidental de la alimentación. Si no es posible bloquear los medios de desconexión del panel de servicio, coloque un dispositivo de advertencia que destaque como, por ejemplo, una etiqueta, en el panel de servicio.
- C. La instalación y el cableado eléctrico deben realizarlos personas cualificadas de acuerdo con las normativas y los estándares aplicables, incluida la construcción ignífuga.
- D. Es necesaria una ventilación suficiente para la correcta combustión y expulsión de gases por la salida de humos (Chimenea) del equipo de combustión de carburante para evitar el contratiro. Siga las directrices de fabricantes de equipos de calefacción y los estándares de seguridad como los publicados por la National Fire Protection Association (NFPA), American Society for Heating, Refrigeration and Air Conditioning Engineers (ASHRAE) y las normativas locales.
- E. Al efectuar orificios en una pared o techo, no dañe el cableado eléctrico y otras instalaciones ocultas.
- F. Los sistemas instalados mediante conducto deben tener ventilación con salida al exterior.

### PRECAUCIÓN

Para reducir el riesgo de fuego y conseguir una salida del aire correcta, asegúrese de conducir el aire hacia el exterior. No permita que el aire se expulse en espacios situados en el interior de muros, techos, desvanes, sótanos de pequeña altura o garajes.

### ADVERTENCIA

PARA REDUCIR EL RIESGO DE FUEGO, UTILICE SOLAMENTE TUBOS METÁLICOS.

Instale esta campana de acuerdo con los requisitos especificados.

### ADVERTENCIA

Para reducir el riesgo de fuego o descarga eléctrica, no utilice esta campana con ningún dispositivo externo en estado sólido para el control de la velocidad.

### ADVERTENCIA

PARA REDUCIR EL RIESGO DE INCENDIO OCASIONADO POR GRASA:

- a) No deje nunca ninguna unidad externa desatendida y con valores de fuego altos. La cocción puede causar humo o reboses de grasa que pueden prender fuego. Caliente el aceite a fuego lento o medio.
- b) Encienda siempre la campana cuando cocine a una temperatura alta o cuando realice flameados (por ejemplo, Crepas Suzette, cerezas flameadas, ternera a la pimienta flameada).
- c) Limpie con frecuencia los ventiladores. No permita que la grasa se acumule en el ventilador o filtro.
- d) Utilice un tamaño de sartén adecuado. Utilice siempre piezas de batería de cocina adecuadas al tamaño del elemento de superficie.

### ADVERTENCIA

PARA REDUCIR EL RIESGO DE LESIONES PERSONALES, EN CASO DE FUEGO OCASIONADO POR GRASA, TENGA EN CUENTA LO SIGUIENTE:<sup>a</sup>

- a) **EXTINGA LAS LLAMAS** con una tapa ajustada, una lámina para hacer galletas u otro tipo de bandeja metálica y apague el quemador de gas o elemento eléctrico. **TENGA CUIDADO PARA EVITAR QUEMADURAS.** Si las llamas no se extinguen inmediatamente, **DESALOJE EL LUGAR Y LLAME A LOS BOMBEROS.**
- b) **NUNCA TOME UNA SARTÉN EN LLAMAS**, podría sufrir quemaduras.
- c) **NO UTILICE AGUA**, incluidas bayetas o toallas húmedas ya que se produciría una violenta explosión de vapor.
- d) Utilice un extintor **SÓLO** si:
  - 1) Sabe que dispone de un extintor de la clase ABC y conoce su funcionamiento.
  - 2) El fuego es pequeño y se encuentra en la misma zona donde se inició.
  - 3) Ha llamado a los bomberos.
  - 4) Puede luchar contra el fuego teniendo una salida a su espalda.

<sup>a</sup>Basado en "Consejos de seguridad para fuegos de cocina" publicado por NFPA.

## **FUNCIONAMIENTO**

Coloque siempre las rejillas y los filtros de seguridad en su lugar correspondiente. Sin estos componentes, los ventiladores en funcionamiento podrían atrapar su pelo, sus dedos o su ropa.

El fabricante declina toda responsabilidad en caso de fallo de cumplimiento de las instrucciones aquí facilitadas para la instalación, el mantenimiento y el uso adecuado del producto. El fabricante declina además toda responsabilidad por daños ocasionados por negligencia y la garantía de la unidad queda cancelada automáticamente como consecuencia de un mantenimiento incorrecto.

### PRECAUCIÓN

Equipo operado automáticamente - para reducir el riesgo de lastimarse desconecte de la línea antes de dar servicio.

## ⚠ AVISO DE SEGURIDAD IMPORTANTE

### ⚠ ADVERTENCIA

Para reducir el riesgo de fuego y choque eléctrico, instale esta campana solo con modelos de motor internos, In line y externo con rangos máximos de 7.7 A/ 920 W, o motores internos fabricados por Elica (para modelos de referencia, vea la tabla de accesorios opcionales).

MODELO DE CAMPANA	Motor Interno (incluido con la campana)		Kit de motor In Line 1200 KIT0154387		Kit de motor Externo 1200 KIT0153054		Kit de lámparas de calor (Vea la tabla de accesorios para mayor referencia)		Kit de lámparas + Kit de motor In Line 1200		Kit de lámparas + Kit de motor Externo 1200	
	A	W	A	W	A	W	A	W	A	W	A	W
ECL630S4	3.9	463	7.7	913	7.4	884	6.8	583	10.4	1020	10.2	991
ECL136S4	7.6	913	7.6	913	7.4	884	10.5	1033	10.4	1020	10.2	991
ECL142S4	7.6	913	7.6	913	7.4	884	10.5	1033	10.4	1020	10.2	991
ECL148S4	7.7	920	7.7	920	7.5	891	10.6	1040	10.4	1020	10.2	991

- Use esta unidad de la manera para la que fue diseñada por el fabricante. Si tiene preguntas, póngase en contacto con el fabricante.
  - Electrodoméstico diseñado exclusivamente para su uso en interiores.
  - Antes de dar servicio o limpiar la unidad, apague el suministro de energía en el panel de servicio y bloquee los medios de desconexión del servicio para evitar que se encienda accidentalmente el suministro de energía. Cuando el medio de desconexión del servicio no se pueda bloquear, sujete de manera segura un dispositivo de advertencia prominente, como podría ser una etiqueta, al panel de servicio.
  - Limpie la unidad de acuerdo a las instrucciones descritas en este manual para evitar riesgo de incendio.
  - El trabajo de instalación y cableado se debe llevar a cabo por una persona(s) calificada(s), en conformidad con todos los códigos y estándares aplicables, incluyendo construcciones clasificadas como resistentes al fuego.
  - En caso de que su cordón de alimentación llegase a sufrir un daño parcial o total no trate de repararlo acuda al centro de servicio marcado en su garantía o bien con un técnico especialista para su sustitución.
  - Es necesario que haya suficiente aire para la adecuada combustión y ventilación de gases a través del conducto (la chimenea) del equipo que consume combustible, para evitar que ocurra contratiro. Siga la guía y los estándares de seguridad del fabricante del equipo de calefacción.
  - Cuando corte o taladre en una pared o techo, no dañe el cableado ni otros servicios públicos.
  - Los ventiladores con conductos siempre deben dar salida al aire hacia el exterior.
- NOTA:** Sólo para versión Aspirante.
- Para usarse solamente en ventilación común. No lo utilice para ventilar materiales y vapores peligrosos o explosivos.
  - Sólo use conductos metálicos.

### RECOMENDACIONES GENERALES

- Nunca deje las unidades de superficie sin vigilancia cuando estén en ajustes altos. Los derrames por hervor causan salpicaduras grasosas y humeantes, las cuales pueden encenderse. Caliente los aceites lentamente y con ajustes bajos o medios.
- Siempre ENCIENDA LA CAMPANA cuando cocine.
- Limpie los filtros anti-grasa con frecuencia (al menos cada 2 meses). No permita que se acumule la grasa en el filtro. Aplica para filtros de aluminio.
- Se recomienda cambiar los filtros de carbón cada 6 meses.
- No flamear alimentos bajo la campana de cocina.
- Use cacerolas del tamaño adecuado. Siempre use utensilios de cocción que sean los adecuados para el tamaño del elemento de la superficie.
- Este aparato no se destina para utilizarse por personas (incluyendo niños) cuyas capacidades físicas, sensoriales o mentales sean diferentes o estén reducidas o carezcan de experiencia o conocimiento a menos que dichas personas reciban supervisión o capacitación del funcionamiento del aparato por una persona responsable de su seguridad.
- Los niños deben supervisarse para asegurar que ellos no empleen los aparatos como juguete.
- No use el ventilador de la campana con ningún dispositivo semiconductor para el control de la velocidad.

# REQUISITOS ELÉCTRICOS Y DE INSTALACIÓN

## IMPORTANTE

Cumpla todas las normativas y ordenanzas gubernamentales. Es responsabilidad del cliente:

- Ponerse en contacto con un instalador eléctrico cualificado.
- Asegurarse de que la instalación eléctrica es adecuada y en conformidad con National Electrical Code, ANSI/NFPA 70 (última edición\*) o CSA Standards C22.1-94, Canadian Electrical Code, Parte 1 y C22.2 No.0-M91 (última edición\*) y toda la normativa y las ordenanzas locales.
- Si la normativa lo permite y se utiliza un cable de toma a tierra independiente, se recomienda que un electricista cualificado determine si la difracción de onda de tierra es la adecuada.
- No ubique la toma a tierra en una tubería de gas.
- Si no está seguro de que la campana está correctamente conectada a tierra, consulte a un electricista cualificado.
- No coloque ningún fusible en el circuito neutral o con vuelta por tierra.

## IMPORTANTE

- Guarde las instrucciones de instalación para su uso por parte del inspector de electricidad.
- La campana debe estar conectada únicamente con hilo de cobre.
- La campana debe estar conectada directamente al desconectador con fusible (o disyuntor) mediante canal metálico de cables eléctricos.
- Los tamaños de cable deben cumplir los requisitos de la National Electrical Code, ANSI/NFPA 70 (última edición\*) o CSA Standards C22.1-94, Canadian Electrical Code, Parte 1 y C22.2 No.0-M91 (última edición\*) y toda la normativa y las ordenanzas locales.
- Es preciso colocar un conector de canal de cables enumerado en U.L. o C.S.A. en cada extremo del canal de cables de fuente de alimentación (en la campana y en la caja de conexiones).

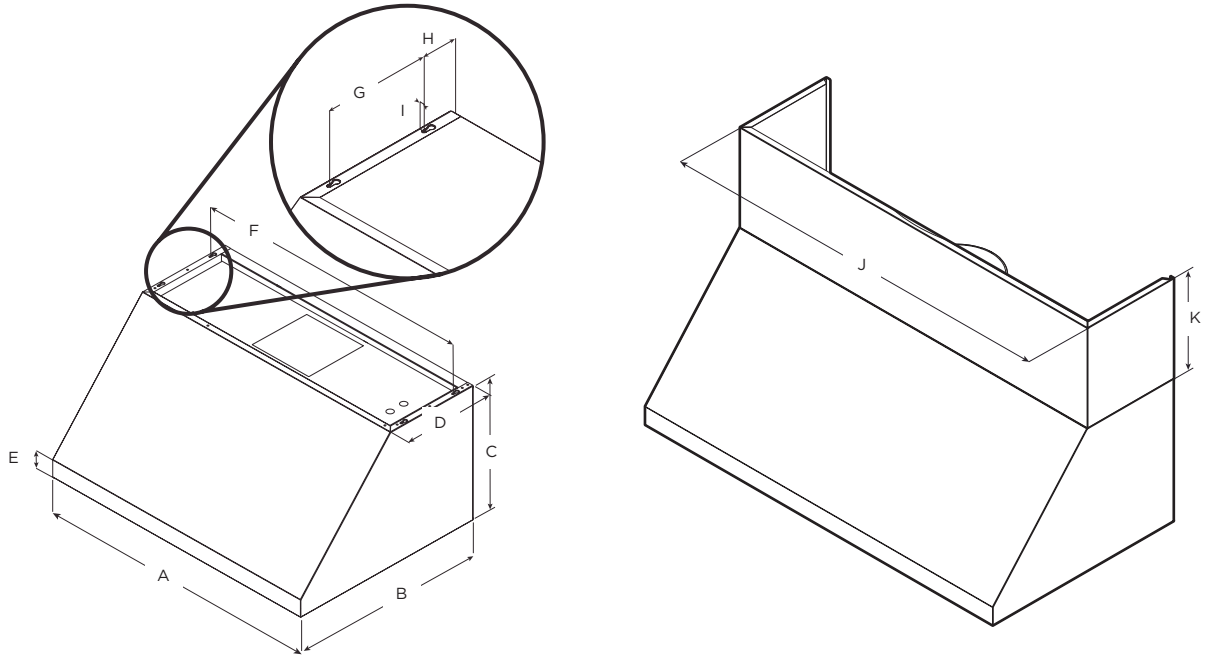
Se pueden obtener copias de los estándares enumerados en:  
\* National Fire Protection Association Batterymarch Park Quincy, Massachusetts 02269  
\*\* CSA International 8501 East Pleasant Valley Road Cleveland, Ohio 44131-5575

## ANTES DE INSTALAR LA CAMPANA

- 1 Para obtener una circulación del flujo de aire más eficaz, utilice un tubo de tramo recto o el menor número posible de tubos acodados.  
**PRECAUCIÓN:** el conducto de ventilación solamente debe tener salida hacia la parte exterior del edificio.
- 2 Para realizar la instalación, se necesitan al menos dos personas.
- 3 La campana se ajusta mediante material adecuados para la mayoría de superficies; consulte a un instalador cualificado para comprobar si quedan perfectamente ajustados al armario o a la pared.  
No emplee tubos flexibles.
- 4 Las instalaciones en CONDICIONES CLIMÁTICAS FRÍAS deben tener instalado un regulador de contratiempo adicional para minimizar el flujo de aire inverso y una rotura térmica no metálica para minimizar la conducción de temperaturas externas como parte de los tubos. El regulador debe encontrarse en la parte de aire frío de la rotura térmica. La rotura debe estar lo más cerca posible al lugar donde los tubos entran en la parte caliente de la casa.
- 5 Aire limpio: Las normativas locales para edificios pueden requerir el uso de sistemas de aire limpio cuando se utilizan sistemas de ventilación mediante tubos superiores al CFM especificado de movimiento de aire.
- 6 El CFM especificado varía de una zona a otra. Para conocer los requisitos específicos de su zona, consulte a un profesional de HVAC.



## DIMENSIONES DEL PRODUCTO



Modelos				Kit de Cubre Ductos	J	K
	ECL630S4	ECL136S4	ECL142S4	ECL148S4		
<b>A</b>	30" (76 cm)	36" (91.1 cm)	42" (106.5 cm)	48" (121.7 cm)	<b>KIT02159</b>	6" (15.2 cm)
<b>B</b>	25" (63.5 cm)				<b>KIT02158</b>	
<b>C</b>	18" (45.7 cm)				<b>KIT02622</b>	
<b>D</b>	12" (30.3 cm)				<b>KIT02164</b>	
<b>E</b>	1½" (5.7 cm)				<b>KIT02160</b>	12" (30.5 cm)
<b>F</b>	29½" (74 cm)	35½" (89.2 cm)	41½" (104.5 cm)	47½" (119.7 cm)	<b>KIT02161</b>	
<b>G</b>	7½" (19 cm)				<b>KIT02623</b>	
<b>H</b>	2⅝" (6.5 cm)				<b>KIT02165</b>	
<b>I</b>	⅜" (1 cm)					

### Accesorios opcionales

KIT	Número de parte			
	ECL630S4 30" (76.2 cm)	ECL136S4 36" (91.54 cm)	ECL142S4 42" (106.5 cm)	ECL148S4 48" (121.7 cm)
<b>Kit de Extensión de Chimenea 6"</b>	KIT02159	KIT02158	KIT02622	KIT02164
<b>Kit de Extensión de Chimenea 12"</b>	KIT02160	KIT02161	KIT02623	KIT02165
<b>Lámpara de calor con 2 bombillas 175W</b>	KIT0155106	KIT0155107	KIT0155110	KIT0155111
<b>Kit de rejillas de acero inoxidable y contra salpicaduras</b>	KIT0142864	KIT0142867	KIT0142868	KIT0142870
<b>Kit de Motor In Line 1200</b>	KIT0154387			
<b>Kit de Motor Externo 1200 Kit</b>	KIT0153054			

# LISTA DE MATERIALES

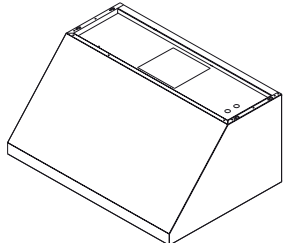
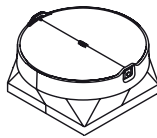


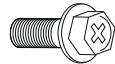


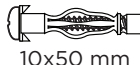


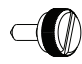
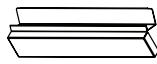
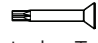
Remoción de la confección

## ⚠ PRECAUCIÓN

Quite la caja cuidadosamente, use guantes para protegerse contra los bordes afilados.

## ⚠ ADVERTENCIA

Quite la película de protección que cubre el producto antes de ponerlo en funcionamiento.

Partes Suministradas	Piezas	Partes Suministradas	Piezas
 <p>Ensamble de la campana con lámparas LED previamente instaladas</p>	1	 <p>Transición redonda de 10"</p>	1
 <p>6x80 mm</p>	4	 <p>Rondana Ø 6.4x11 mm</p>	5
 <p>6x16 mm</p>	5	 <p>Rondana Ø 5.3x20 mm</p>	2
 <p>3.5x9.5 mm</p>	4	 <p>10x50 mm</p>	2
 <p>4.2x19 mm</p>	6	 <p>Soporte de graseras</p>	30", 36", 42": 1 48": 2
 <p>Tornillos para graseras</p>	4	 <p>Graseras</p>	30", 36", 42": 2 48": 3
 <p>Adaptador Torx 20</p>	1		
Piezas no suministradas			

### Herramientas necesarias

- Taladro
- Broca 1/4" (3.0 cm)
- Broca 1/8" (4.8 cm)
- Broca para orificios piloto 1/16" (3.0 mm)
- Lápiz
- Pinzas para cortar y pelar cable
- Cinta métrica, regla o flexómetro
- Pistola selladora y resanador a prueba de agua
- Destornillador plano
- Destornillador Phillips
- Caladora o sierra
- Tijeras para corte de metal

### Partes necesarias

- Cable de alimentación eléctrica
- 1 conducto de cable de 1/2" (12.7 mm) aprobado por UL o CSA
- 3 conectores de cables aprobados por UL
- 1 boquilla para pared o techo
- Ducto metálico

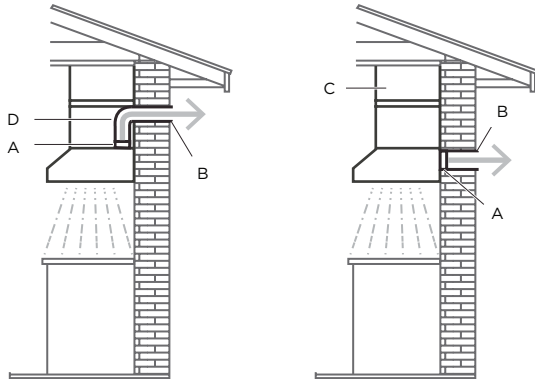
## Opciones de ventilación

Siga detenidamente las instrucciones expuestas en este manual.

Se declina toda responsabilidad de cualquier inconveniencia, daños o incendios eventuales ocasionados por el incumplimiento de las instrucciones de este manual.

### Descarga horizontal

Use un sistema de ventilación redondo de 10" (25.4 cm) y una transición redonda de 10" (25.4 cm) para descargar gases y vapor procedentes de la cocina al exterior.

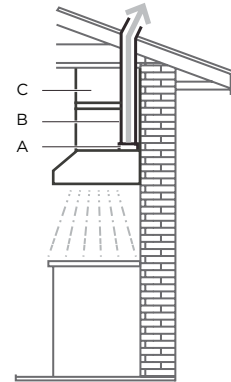


A. Transición redonda de 10" (25.4 cm)  
B. Conducto de 10" (25.4 cm)

C. Gabinete  
D. Codo 90°

### Descarga vertical

Use un sistema de ventilación redondo de 10" (25.4 cm) y una transición redonda de 10" (25.4 cm) para descargar gases y vapor procedentes de la cocina al exterior.



A. Transición redonda de 10" (25.4 cm)  
B. Conducto de 10" (25.4 cm)  
C. Gabinete

### Preparación

No corte una vigueta o un perno a menos que sea absolutamente necesario. Si fuera necesario efectuar el corte, deberá construirse un marco de soporte.

Se suministra el material de ajuste necesario para fijar la campana a la mayoría de tipos de muro o techo.

No obstante, un técnico cualificado debe comprobar la idoneidad de los materiales de acuerdo con el tipo de muro o techo.

Antes de efectuar algún corte, asegúrese de que existe el espacio libre adecuado en el techo o muro para la expulsión del aire.

### ⚠ PRECAUCIÓN

Para la instalación de estufas de gas: instale esta campana de tal manera que la cornisa inferior se encuentre a 30" (76.2 cm) sobre la superficie de cocción.

Para la instalación de estufas eléctricas/inducción: instale esta campana de tal manera que la cornisa inferior se encuentre a no menos de 24" (61 cm) sobre la superficie de cocción.

No hay una altura máxima de instalación, sin embargo, se recomienda no instalar esta campana a más de 36" (91.4 cm) sobre la superficie de cocción. Por cada pulgada (2.54 cm) superior a 36" (91.4 cm), disminuirá la eficiencia en la captura de humo y humedad, así como el desempeño de ventilación. Para uso electrodoméstico.

POR FAVOR, LEA EL MANUAL DE INSTALACIÓN PARA UNA INSTALACIÓN ESPECÍFICA. Antes de seleccionar la campana, compruebe la altura del techo y la altura máxima de la campana.

# Instalación

- Se recomienda que el sistema de ventilación sea instalado antes de que se instale la campana para cocina.
- Si está instalando el protector opcional contra salpicaduras con estantes para lámparas de calor, siga las instrucciones incluidas con ese producto.
- Si es posible, desconecte y deslice la estufa fuera de la apertura de instalación del gabinete de la cocina para permitir un acceso fácil al muro posterior.
- Antes de hacer recortes, asegúrese de que haya una distancia adecuada dentro del techo o la pared para la ventilación del escape.
- Verifique que todas las piezas de instalación se hayan eliminado de la caja de empaque.

- 1 Desconecte el suministro de energía.
- 2 Decida qué método de ventilación usar: a través del techo o de la pared.

**NOTA:** Esta campana está configurada para expulsar el aire por la salida superior. Si decide usar la salida posterior, debe remover la cubierta trasera y colocarla en la salida superior.

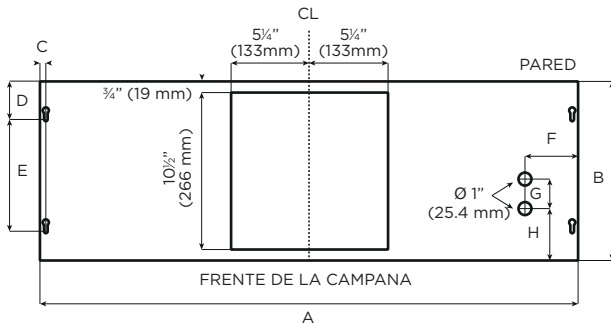
- 3 Seleccione una superficie plana para ensamblar la campana para cocina. Cubra dicha superficie..

## Métodos de Ventilación

### Salida Superior

Ducto vertical de  $\varnothing 10''$  (25.4 cm)

Use el diagrama o la campana como plantilla y marque las ubicaciones del ducto, cableado y tornillos de instalación en la cara inferior del gabinete o techo.

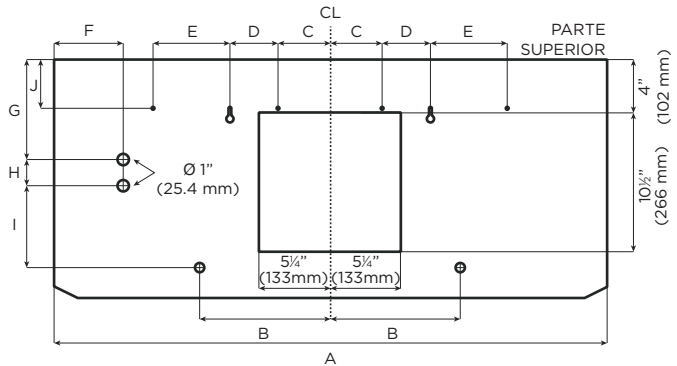


	ECL630S3	ECL136S3	ECL142S3	ECL148S3
A	30" (760 mm)	36" (912 mm)	42" (1066 mm)	48" (1217 mm)
B	12" (305 mm)			
C	1" (25.4 mm)			
D	2 5/8" (65 mm)			
E	7 1/2" (190 mm)			
F	3 3/8" (90 mm)	5 1/8" (150 mm)		6 1/8" (164 mm)
G	2" (50 mm)			
H	3 1/2" (89 mm)			

### Salida posterior

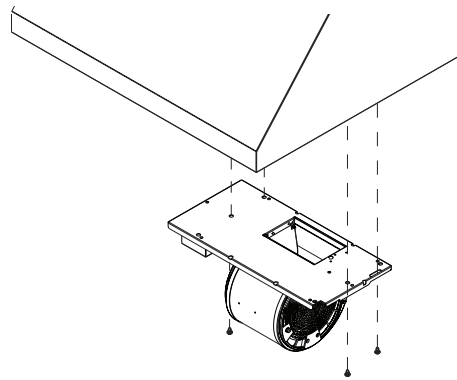
Conducto horizontal  $\varnothing 10''$  (25.4 cm)

Usar el diagrama o la campana como plantilla y marcar los puntos en el muro para el trabajo del conducto, la instalación eléctrica y las ranuras de los tornillos de instalación.

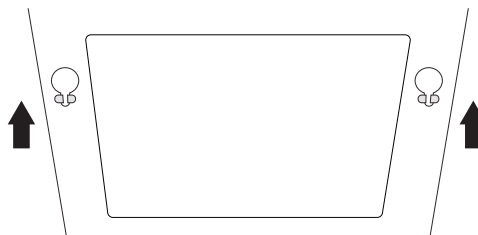


	ECL630S3	ECL136S3	ECL142S3	ECL148S3
A	30" (760 mm)	36" (912 mm)	42" (1066 mm)	48" (1217 mm)
B	9 7/8" (250 mm)			
C	4" (100 mm)			
D	7 5/8" (192.6 mm)			
E	3 3/8" (87 mm)	5" (127 mm)	5 1/8" (147 mm)	6 1/8" (167 mm)
F	2 5/8" (75 mm)		5 1/8" (135 mm)	5 1/8" (149 mm)
G	7 1/2" (192 mm)			
H	2" (50 mm)			
I	6 3/8" (157 mm)			
J	3 1/8" (94 mm)			

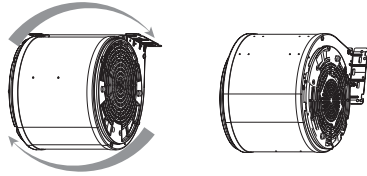
- 1 Remueva los filtros de grasa.
- 2 Retire los tornillos de instalación del motor. Ponga los tornillos en un lugar seguro con el fin de usarlos de nuevo.



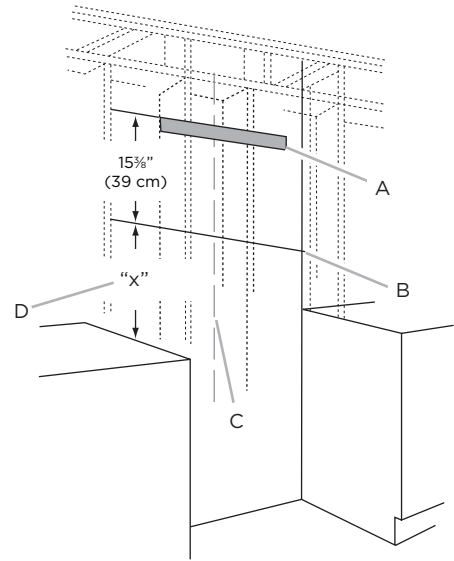
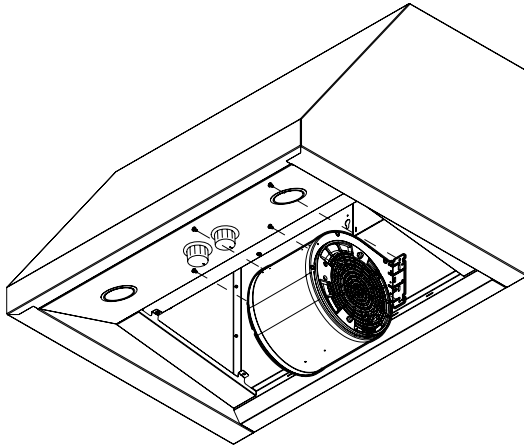
- 3 Libere los dos clips de sujeción del motor de la parte superior de la campana.



- 4 Voltee la base del motor a la cara posterior de la campana.



- 5 Inserte los dos clips de sujeción del motor a la parte posterior de la campana. Asegure el motor con los 4 tornillos previamente retirados.



A. Soporte de madera  
B. Parte inferior de la campana  
C. Línea central  
D. Dimensión "X" = Altura de montaje de la campana

**NOTA:** Los tornillos provistos para montar esta campana deben sujetarse en madera sólida; no únicamente en yeso.

### Complete la preparación

- 1 Determine y realice todos los cortes necesarios en la pared o techo para el sistema de ventilación. Instale el sistema de ventilación antes de instalar la campana. Consulte la sección "Metodos de ventilación".
- 2 Determine la ubicación donde se pasará el cable de alimentación a través de la pared.
- 3 Taladre un orificio de  $1\frac{1}{4}$ " (3.2 cm) en esta ubicación.
- 4 Tire del cable de alimentación suficiente a través de la pared para permitir una fácil conexión a la caja de terminales.
- 5 Retire la cubierta de la caja de conexiones y déjela a un lado.
- 6 Quite el precorte removible que está en la caja de terminales e instale un protector de cables de  $\frac{1}{2}$ " que esté en la lista de UL o esté aprobado por CSA.
- 7 Coloque la campana cerca de su posición de montaje y pase el cable de la fuente de alimentación (suficiente para realizar la conexión).
- 8 Apriete los tornillos.

### Montaje de la campana

La campana se fija a la pared mediante los 2 tornillos de montaje en el soporte de madera montado en la pared en la sección "Instalación de los tornillos de montaje de la campana".

- 1 Con 2 ó más personas, cuelgue la campana extractora en la pared colocando los orificios ranurados en la campana extractora sobre los 2 tornillos montados en el soporte de madera montado en la pared.

**NOTA:** Si su instalación utiliza la cubierta del conducto opcional, el sistema de ventilación debe conectarse a la campana y la cubierta del conducto montada en la parte superior de la campana antes de apretar los tornillos de montaje.

## Instalación en la pared

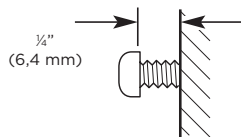
### ⚠ ADVERTENCIA

USE DOS O MÁS PERSONAS PARA MOVER E INSTALAR LA CAMPANA DE COCINA. NO SEGUIR ESTA INSTRUCCIÓN PUEDE OCASIONAR UNA LESIÓN EN LA ESPALDA U OTRO TIPO DE LESIONES..

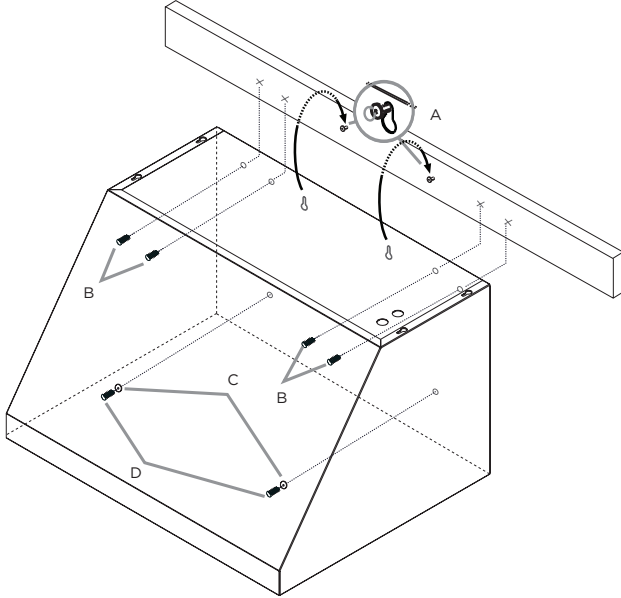
**Importante:** La armadura debe ser capaz de cargar hasta 150 lbs.

La campana está unida a la pared con el soporte de madera que está unido a la parte posterior de la campana.

- Determine y marque la línea central en el muro donde se instalará la carcasa de la campana.
- Seleccione la altura de instalación "X".  
Para la instalación de estufas de gas: instale esta campana de tal manera que la cornisa inferior se encuentre a 30" (76.2 cm) sobre la superficie de cocción.  
Para la instalación de estufas eléctricas/inducción: instale esta campana de tal manera que la cornisa inferior se encuentra a no menos de 24" (61 cm) sobre la superficie de cocción.
- Marque una línea horizontal de referencia en la pared.
- Retire el soporte de madera de la parte trasera de la campana retirando los 2 tornillos que lo sujetan en la parte interna. Ubique y nivele a parte superior del soporte de madera a  $15\frac{3}{8}$ " (39.1 cm) por encima de la línea horizontal previamente marcada y centre dicho soporte con la línea de centro vertical. Use 2 tornillos de 6 x 80 mm para instalar el soporte de madera.
- Deje la cabeza del tornillo despegada aproximadamente  $\frac{1}{4}$ " (6.4 mm) de la base para deslizar la campana en su lugar.



- 2 Empuje la campana extractora hacia arriba en las ranuras estrechas, alinee la parte inferior de la campana con la línea horizontal, nivele la campana y apriete los 2 tornillos de montaje.
- 3 Marque 2 ubicaciones del punto central del orificio de montaje inferior. Taladre orificios guía de  $\frac{1}{8}$ " (0.32 cm) si los orificios están ubicados en la madera. Si los orificios no están ubicados en la madera, taladre dos orificios guía de  $\frac{3}{8}$ " (0.95 cm) e inserte anclajes de pared de 10 x 50 mm. Instale tornillos de 2 - 6 x 80 mm con rondanas de D5.3 x 20 mm en los anclajes de montaje inferiores y apriételos.

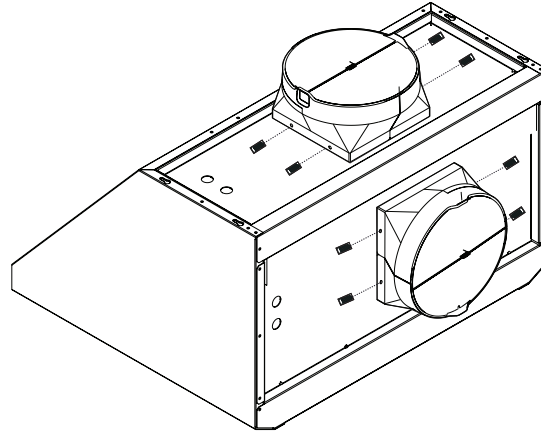


- A. Tornillos de montaje
- B. 4 tornillos 4.2 x 19 mm
- C. Rondanas D5.3 x 20mm
- D. 2 tornillos 6 x 80 mm

- 4 Instale 4 tornillos de 4.2 x 19 mm a través de la parte posterior de la campana en el soporte de madera y apriete.
- 5 Conecte el sistema de ventilación a la campana. Selle todas las juntas con abrazaderas.

### Instale la transición

- Instale la transición de ventilación redonda de 10" (25.4 cm) x 10" (25.4 cm) en la parte superior o posterior de la campana (según su instalación), utilizando 4 tornillos de 3.5 x 9.5 mm.

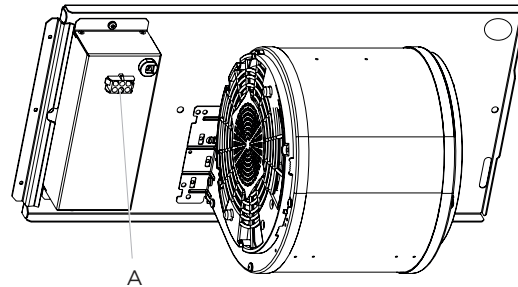


**NOTA:** El adaptador/amortiguador de escape se puede instalar hasta 1 pulgada a cada lado del centro de la campana para acomodar los conductos descentrados. En instalaciones donde la campana esté demasiado descentrada, puede ser necesario recortar un extremo del conector del conducto para despejar la abrazadera del cable eléctrico.

### Instale el motor interno de la campana

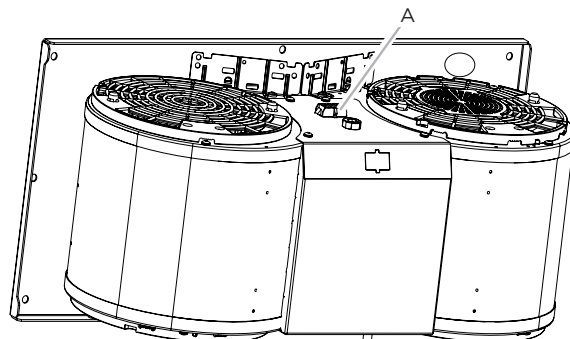
- 1 Retire los filtros de grasa de la campana extractora. Consulte la sección "Mantenimiento" en la Guía de uso y cuidado.
- 2 Instale el motor dentro de la campana con la conexión de cableado a la izquierda para el sistema de motor individual y al frente o en la parte superior para el sistema de motor doble.

#### Montaje del motor individual



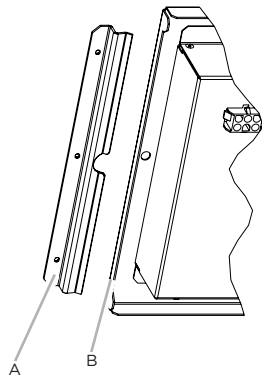
A. Conexiones de cableado.

#### Montaje del motor doble



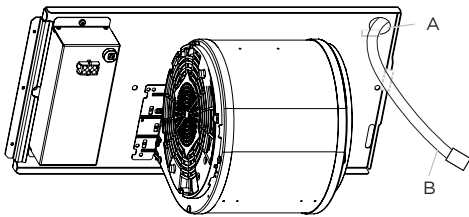
A. Conexiones de cableado.

- 3 Deslice la brida de montaje izquierda debajo del soporte de montaje del motor.



A. Soporte de montaje del motor  
B. Brida de montaje izquierda

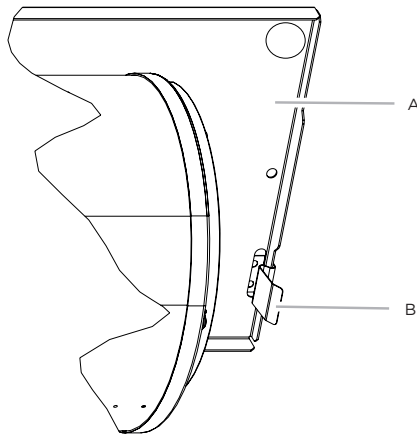
- 3 Pase los cables y el conector de la fuente de alimentación desde la campana a través del orificio en el extremo derecho de la placa de montaje del motor.



A. Orificio de la placa de montaje del motor  
B. Cables y conector de la fuente de alimentación

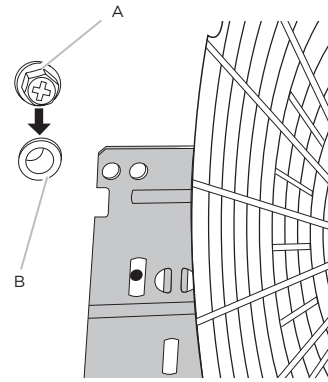
- 4 Empuje hacia arriba la parte frontal del ensamble de motor y atórelo en el clip de montaje.

**NOTA:** El clip de montaje debe estar por fuera de la ranura del ensamble motor.



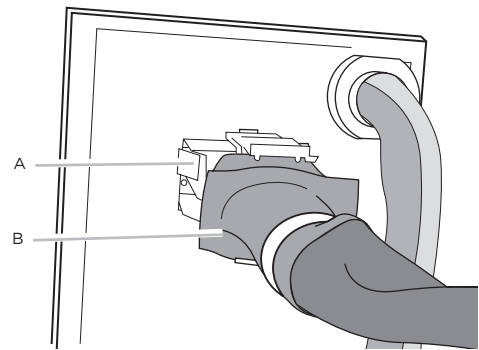
A. Ensamble de motor  
B. Clip sujetor

- 5 Alinee los orificios e instale con 6 x 16 mm tornillos y rondanas de 6.4 mm.



A. Tornillo con rondana  
B. Orificio de montaje

- 6 Conecte el cable de alimentación al conector de la caja de cables del ensamble motor.



A. Conector de energía del motor  
B. Cable de energía de la campana

## Conexión eléctrica

### Características eléctricas (nominales)

Modelo	ECL630S3	ECL136S3 ECL142S3	ECL148S3	
Voltaje	120 V+/- 10%			
Corriente	4.1 A	7.6 A	7.7 A	
Frecuencia	60 Hz			
Potencia máx. de lámparas	2 x 7.5 W		4 x 7.5 W	
Consumo de energía	Modo de espera	0 W/h	0.103 W/h	0 W/h
	Modo de operación	463.5 W/h	891.8 W/h	857.7 W/h

### ⚠️ ADVERTENCIA

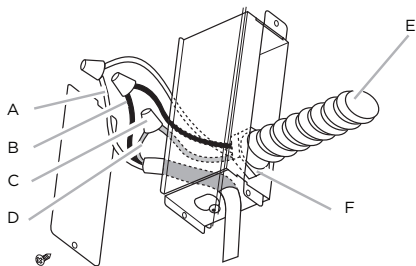
PELIGRO DESCARGA ELÉCTRICA.

### ⚠️ ADVERTENCIA

DESCONECTE EL SUMINISTRO DE ENERGÍA ANTES DE DARLE MANTENIMIENTO.

VUELVA A COLOCAR TODOS LOS COMPONENTES Y PANELES ANTES DE HACERLO FUNCIONAR. NO SEGUIR ESTAS INSTRUCCIONES PUEDE OCASIONAR LA MUERTE O CHOQUE ELÉCTRICO.

- Quite el precorte removible que está en la caja de terminales e instale un protector de cables de ½" que esté en la lista de UL o esté aprobado por CSA.



A. Cables blancos  
B. Cables negros  
C. Conectores de cables aprobados por UL

D. Cables verdes (o desnudos) y amarillos - verdes de puesta a tierra  
E. Cable de alimentación  
F. Sujeta cable de ½" (aprobado por UL o CSA)

- Use conectores de cables que estén en la lista de UL y conecte los cables negros (B) juntos.
- Use conectores de cables que estén en la lista de UL y conecte los cables blancos (A) juntos.

### ⚠️ ADVERTENCIA

PELIGRO DE CHOQUE ELÉCTRICO.

### ⚠️ ADVERTENCIA

CONECTE EL MOTOR A TIERRA.

CONECTE EL CABLE DE TIERRA AL CABLE VERDE Y AMARILLO DE CONEXIÓN A TIERRA EN LA CAJA DE TERMINALES.

NO SEGUIR ESTAS INSTRUCCIONES PUEDE OCASIONAR LA MUERTE O CHOQUE ELÉCTRICO.

- Conecte el alambre verde (o desnudo) de puesta a tierra del suministro de energía doméstico al alambre amarillo - verde de puesta a tierra (D) en la caja de terminales usando conectores de alambres que estén en la lista de UL.
- Cierre y asegure nuevamente la cubierta de la caja de terminales.

## Complete la instalación

Vuelva a colocar los filtros.

Verifique el funcionamiento de la campana.

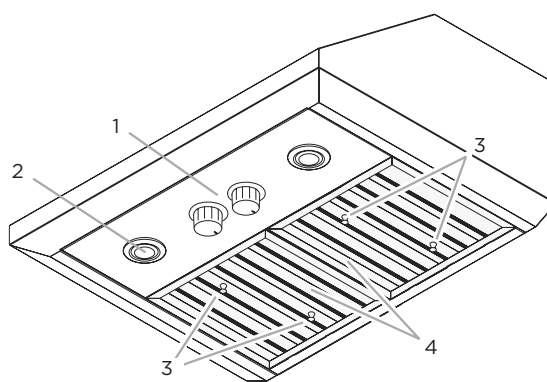
### Si la campana extractora no funciona:

- Compruebe si el disyuntor está desconectado o se han fundido los fusibles.
- Desconecte el suministro eléctrico. Compruebe si el cableado es correcto.

Para conseguir el funcionamiento más eficaz de la nueva campana extractora, lea la sección "Mantenimiento".

Para disponer de una referencia sencilla, siga las Instrucciones de instalación y la Guía de uso y mantenimiento.

## Descripción de la campana



1. Controles de lámpara y motor
2. Lámparas LED
3. Manija de filtro de grasa
4. Filtro para grasa

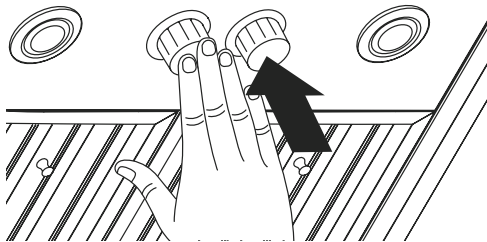


## Control

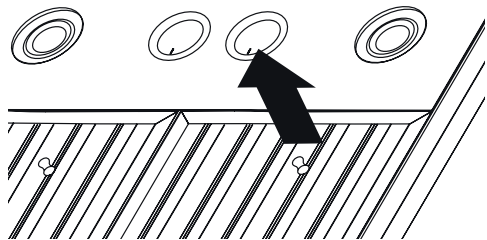
Esta campana está diseñada para remover humo, vapores de cocina y olores del área de cocina. Para mejores resultados, encienda la campana antes de cocinar y permita que opere algunos minutos después de haber terminado de cocinar para dispersar todo el humo y olores de la cocina. Los controles están localizados en la parte central de la campana.

### Ocultar las perillas

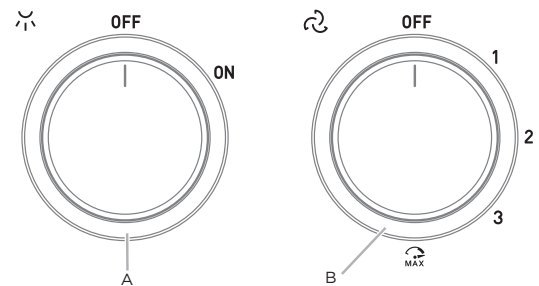
- Usted puede ocultar las perillas de los controles solo al presionar estas hacia abajo.



- Presione nuevamente para mostrar las perillas y habilitar las funciones de las lámparas y del motor.



### Controles



A. Control de lámparas LED  
B. Control de velocidades del motor

### Funcionamiento de las lámparas

1. Gire el control a la posición "ON" para encender las luces.
2. Gire el control a la posición "OFF" para apagar las luces.

### Funcionamiento del motor

1. Gire el control a la posición "1" para encender la campana.
2. Gire el control a la velocidad deseada.
3. Gire el control a la posición "MAX" para obtener la máxima potencia de su campana.
4. Gire el control a la posición "OFF" para apagar su campana.

### Encendido automático del motor

La campana de cocina está equipada con un sensor que enciende automáticamente el motor cuando ésta detecta un exceso de calor en el área de control. Cuando el control del motor esté en la posición "OFF", este sensor encenderá el motor a máxima velocidad cuando sea necesario. Cuando el calor disminuya, el motor se apagará. Cuando el control del motor esté en la posición de encendido, el sensor de calor no estará activado y la campana de cocina funcionará normalmente.

## Limpieza

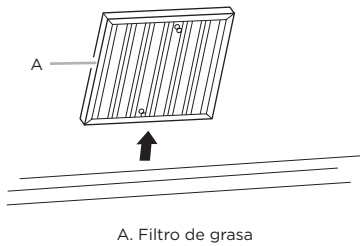
### Superficies exteriores:

Para evitar el daño en las superficies externas, no use estropajos de acero ni jabonosos. No use limpiadores de base de cloro. Siempre séquelo con un paño para evitar manchas de agua.

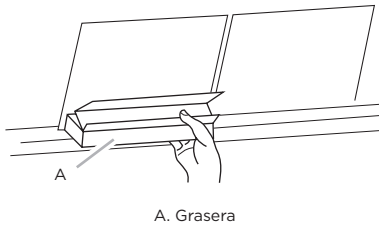
- Limpiador de acero inoxidable o polish.
- Detergente líquido y agua.
- Límpielo con un paño suave húmedo o esponja no abrasiva, enjuáguelo con agua limpia y séquelo con un paño.

### Filtros metálicos y graseras:

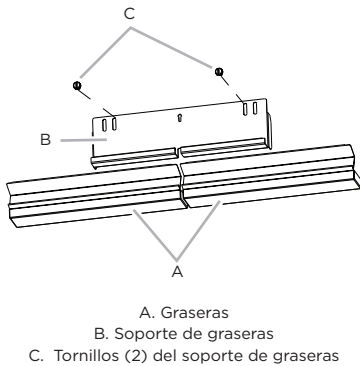
- 1 Use ambas manos para retirar los filtros.
- 2 Sujete las manijas de los filtros, jale hacia el frente de la campana y empuje hacia abajo para retirarlo. Repita el proceso para cada filtro.



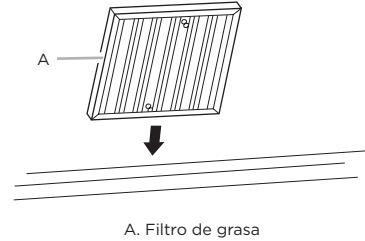
- 3 Remueva las graseras.



4. Coloque el soporte de graseras usando los tornillos incluidos.



- 5 Lave los filtros metálicos y las graseras en lavaplatos o con solución jabonosa caliente.
- 6 Vuelva a colocar las graseras.
- 7 Reinstale los filtros.

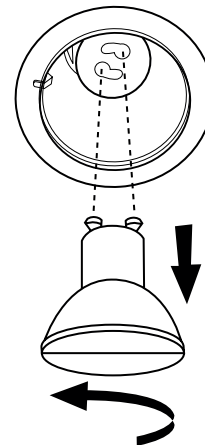


### Reemplazo de las lámparas LED

Apague la campana de cocina y espere a que la lámpara se enfríe.

Para evitar daños en la nueva lámpara o que se disminuya la vida útil de ésta, no toque la lámpara directamente con los dedos descubiertos. Reemplace usando algún pañuelo o usando unos guantes de algodón al manejar la lámpara. Si las nuevas lámparas no funcionan correctamente, asegúrese de que estén insertadas correctamente antes de llamar al servicio técnico.

- 1 Desconecte la corriente.
- 2 Gire el contador hacia el sentido contrario a las agujas del reloj.
- 3 Remueva la lámpara y reemplácela con la nueva lámpara LED de máximo 120-volt, 7.5 W para una base de GU10. Gírelo en el sentido de las agujas del reloj para bloquearlo en su lugar.
- 4 Repita los pasos 2-3 para las otras lámparas.
- 5 Reconecte la corriente.



## **PARA OBTENER SERVICIO DENTRO DE GARANTÍA**

El propietario debe presentar su recibo original de la compra. Guarde por favor una copia de su recibo de compra como prueba, para recibir el servicio dentro del periodo de garantía.

## **PARTES Y GARANTÍA DE SERVICIO**

Por el periodo de dos (2) años desde la fecha original de la compra, Elica proveerá, gratuitamente, partes no-consumibles o componentes que hayan fallado debido a defectos de fabricación. Durante estos dos (2) años de garantía limitada, Elica también proveerá gratuitamente, todo el servicio en casa y mano de obra necesaria para reemplazar cualquier parte defectuosa.

## **QUÉ NO ESTÁ CUBIERTO**

- Daños o fallas del producto causados por accidente o actos de Dios, tales como inundaciones incendios o terremotos.
- Daños o fallas causadas por alteración del producto o por el uso de partes no-originales.
- Daños o fallas del producto causados durante la entrega, manejo o instalación.
- Daños o fallas del producto causados por abuso del usuario.
- Daños o fallas del producto causados por reemplazo de fusibles dañados o reseteo de interruptor de circuito.
- Daño o fallas causados por el uso del producto en un ambiente comercial (no doméstico).
- Viajes de servicio para proporcionar orientación de uso o instalación.
- Bombillas, filtros de carbón o metal y cualquier otra parte consumible.
- Desgaste normal.
- Desgaste terminal debido a abusos del usuario, mantenimiento inadecuado, uso de productos / toallas de limpieza corrosivos o abrasivos y por uso de limpiadores para hornos.

## **QUIÉN ESTÁ CUBIERTO**

Esta garantía se extiende al comprador original de productos adquiridos para uso residencial en Norte América (incluyendo Estados Unidos, Guam, Puerto Rico, Islas Vírgenes de EU y Canadá).

Esta garantía no es transferible y aplica solamente al comprador original y no se extiende a propietarios subsecuentes del producto. Esta garantía se expresa en lugar de otras garantías, expresadas o implicadas, incluyendo, pero no limitada a ninguna garantía implicada de comercialización o adaptada para propósitos particulares y cualquier otra obligación por parte de Elica North America, considerando, sin embargo, que si la negación de garantías implícitas es inefectiva bajo la ley aplicable, la duración de cualquier garantía implícita será limitada a dos (2) años desde la fecha original de compra o por el periodo necesario como sea requerido por la ley aplicable.

Esta garantía no cubre cualquier daño especial, incidental y/o consecuente, ni pérdidas de ganancias, sufridas por el comprador original, sus clientes y/o usuarios del producto.

## **A QUIÉN CONTACTAR**

Para obtener Servicio bajo Garantía o para cualquier pregunta relacionada a Servicio:

Favor de llamar a:

- Servicio Elica North America, llame a 1-888 732 8018
- Para el Este de Canadá, llame a Servicios AGI a 1-888 651 2534. Pregunte por el *Departamento de Servicio al Cliente*
- [elica@servicepower.com](mailto:elica@servicepower.com)

## PARA OBTENER SERVICIO DENTRO DE GARANTÍA

El propietario debe presentar su recibo original de la compra. Guarde por favor una copia de su recibo de compra como prueba, para recibir el servicio dentro del periodo de garantía.

## PARTES Y GARANTÍA DE SERVICIO

Por el periodo de dos (2) años desde la fecha original de la compra, Elica proveerá gratuitamente, a través de sus distribuidores, partes no-consumibles o componentes que hayan fallado debido a defectos de fabricación. Durante estos dos (2) años de garantía limitada, Elica también proveerá gratuitamente, a través de sus distribuidores, todo el servicio en casa y mano de obra necesaria para reemplazar cualquier parte defectuosa.

## QUÉ NO ESTÁ CUBIERTO

- Daños o fallas del producto causados por accidente o actos de Dios, tales como inundaciones incendios o terremotos.
- Daños o fallas causadas por alteración del producto o por el uso de partes no-originales.
- Daños o fallas del producto causados durante la entrega, manejo o instalación.
- Daños o fallas del producto causados por abuso del usuario.
- Daños o fallas del producto causados por reemplazo de fusibles dañados o reseteo de interruptor de circuito.
- Daño o fallas causados por el uso del producto en un ambiente comercial (no doméstico).
- Viajes de servicio para proporcionar orientación de uso o instalación.
- Bombillas, filtros de carbón o metal y cualquier otra parte consumible.
- Desgaste normal.
- Desgaste terminal debido a abusos del usuario, mantenimiento inadecuado, uso de productos / toallas de limpieza corrosivos o abrasivos y por uso de limpiadores para hornos.

## QUIÉN ESTÁ CUBIERTO

Esta garantía se extiende al comprador original de productos adquiridos para uso residencial en Latinoamérica.

Para cualquier defecto estético se tiene una garantía limitada por treinta (30) días de la fecha de compra del usuario final.

Esta garantía no es transferible y aplica solamente al comprador original y no se extiende a propietarios subsecuentes del producto. Esta garantía se expresa en lugar de otras garantías, expresadas o implicadas, incluyendo, pero no limitada a ninguna garantía implicada de comercialización o adaptada para propósitos particulares y cualquier otra obligación por parte de Elica, considerando, sin embargo, que si la negación de garantías implícitas es inefectiva bajo la ley aplicable, la duración de cualquier garantía implícita será limitada a dos (2) años desde la fecha original de compra o por el periodo necesario como sea requerido por la ley aplicable.

Esta garantía no cubre cualquier daño especial, incidental y/o consecuente, ni pérdidas de ganancias, sufridas por el comprador original, sus clientes y/o usuarios del producto.

## A QUIÉN CONTACTAR

Para obtener Servicio bajo Garantía o para cualquier pregunta relacionada a Servicio:

PAÍS	COMPAÑÍA	CONTACTO SERVICIO TÉCNICO	MAIL CONTACTO SERVICIO TÉCNICO	TELEFONO SERVICIO TÉCNICO
MÉXICO	ARTEXA MEXICO S.A. DE C.V.	Martín Melgoza	mmelgoza@artexa.com	+ 52.81.8625.5063
ECUADOR	DKOCINA	Reinaldo Hidalgo	dkocina@uio.satnet.net	+ 593.260.4890
GUATEMALA	FERCO	Jackeline Estevez	jestevez@ferco.com.gt	+ 502 421 9000
HONDURAS	FERCO	Jackeline Estevez	jestevez@ferco.com.gt	+ 502 421 9000
SALVADOR	FERCO	Jackeline Estevez	jestevez@ferco.com.gt	+ 502 421 9000
BRASIL	LOFRA SUDAMERICA LTDA	Carlos Fleischfresser	carlos@lofra.com.br	+ 41.3661.7006
PERÚ	LÍNEA HOGAR	Flavio Figari	flavio.figari@appliancecenter.pe	+ 51 1 2418055