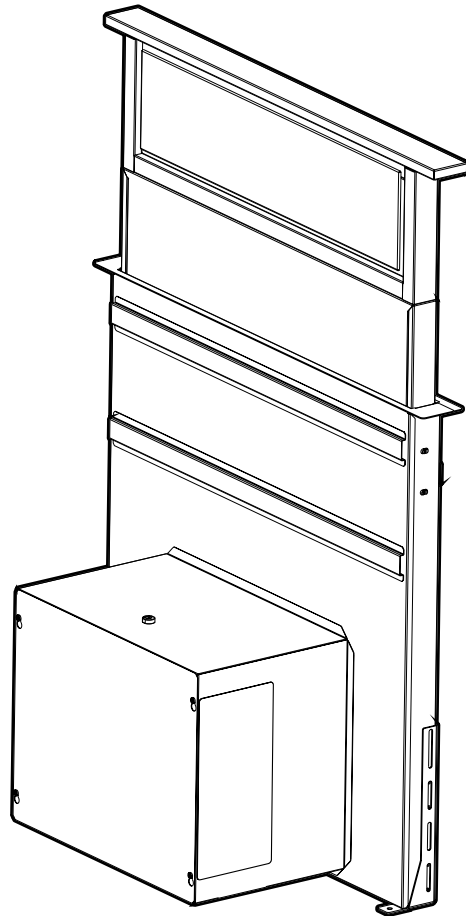


Use, Care, and Installation Guide
Guide d'utilisation, d'entretien et d'installation
Guía de instalación, uso y mantenimiento



READ AND SAVE THESE INSTRUCTIONS
LISEZ CES INSTRUCTIONS ET CONSERVEZ-LES
LEA Y GUARDE ESTAS INSTRUCCIONES

EN	Contents	page	2
FR	Sommaire	page	16
ES	Contenido	página	30

English

Contents

Important safety Notice.....	3
Electrical & Installation requirements	4
Before installing the hood	4
List of Materials.....	5
Parts supplied	5
Parts not supplied	5
Product Dimensions.....	5
Countertop Cutout Dimensions.....	6
Venting Requirements.....	6
Installation Instructions	7
Determine which vent direction is best for your installation	8
Rear mounting (reversible mode)	9
Complete Installation	10
Control Installation	11
Electrical connection.....	11
Check operation.....	12
Downdraft use.....	13
Vent system care.....	13
Troubleshooting	14
Warranty	15

**APPROVED FOR RESIDENTIAL APPLIANCES
FOR RESIDENTIAL USE ONLY
READ AND SAVE THESE INSTRUCTIONS**

**PLEASE READ ENTIRE INSTRUCTIONS BEFORE
PROCEEDING.**

INSTALLATION MUST COMPLY WITH ALL LOCAL CODES.

IMPORTANT: Save these Instructions for the Local
Electrical Inspector's use.

INSTALLER: Please leave these Instructions with this unit
for the owner.

OWNER: Please retain these instructions for future
reference.

Safety Warning: Turn off power circuit at service panel and
lock out panel, before wiring this appliance.

Requirement: 120 V AC, 60 Hz. 15 or 20 A Branch Circuit

READ AND SAVE THESE INSTRUCTIONS

Important Safety Notice

CAUTION

FOR GENERAL VENTILATING USE ONLY. DO NOT USE TO EXHAUST HAZARDOUS OR EXPLOSIVE MATERIALS OR VAPOURS.

WARNING

TO REDUCE THE RISK OF FIRE, ELECTRIC SHOCK, OR INJURY TO PERSONS, OBSERVE THE FOLLOWING:

- A. Use this unit only in the manner intended by the manufacturer. If you have questions, contact the manufacturer.
- B. Before servicing or cleaning the unit, switch power off at service panel and lock service panel disconnecting means to prevent power from being switched on accidentally. When the service disconnecting means cannot be locked, securely fasten a prominent warning device, such as a tag, to the service panel.
- C. Installation work and electrical wiring must be done by qualified person(s) in accordance with all applicable codes & standards, including fire-rated construction.
- D. Sufficient air is needed for proper combustion and exhausting of gases through the flue (Chimney) of fuel burning equipment to prevent back-drafting. Follow the heating equipment manufacturers guideline and safety standards such as those published by the National Fire Protection Association (NFPA), the American Society for Heating, Refrigeration and Air Conditioning Engineers (ASHRAE), and the local code authorities.
- E. When cutting or drilling into wall or ceiling, do not damage electrical wiring and other hidden utilities.
- F. Ducted systems must always be vented to the outdoors.

CAUTION

To reduce risk of fire and to properly exhaust air, be sure to duct air outside - do not vent exhaust air into spaces within walls, ceilings, attics, crawl spaces, or garages.

WARNING

TO REDUCE THE RISK OF FIRE, USE ONLY METAL DUCT WORK.

Install this hood in accordance with all requirements specified.

WARNING

To reduce the risk of fire or electric shock, do not use this hood with any external solid state speed control device.

WARNING

TO REDUCE THE RISK OF A RANGE TOP GREASE FIRE.

- a) Never leave surface units unattended at high settings. Boilovers cause smoking and greasy spillovers that may ignite. Heat oils slowly on low or medium settings.
- b) Always turn hood ON when cooking at high heat or when flambeing food (i.E. Crepes suzette, cherries jubilee, peppercorn beef flambe').
- c) Clean ventilating fans frequently. Grease should not be allowed to accumulate on fan or filter.
- d) Use proper pan size. Always use cookware appropriate for the size of the surface element.

WARNING

TO REDUCE THE RISK OF INJURY TO PERSONS, IN THE EVENT OF A RANGE TOP GREASE FIRE, OBSERVE THE FOLLOWING:^a

- a) SMOTHER FLAMES with a close-fitting lid, cookie sheet, or other metal tray, then turn off the gas burner or the electric element. BE CAREFUL TO PREVENT BURNS. If the flames do not go out immediately, EVACUATE AND CALL THE FIRE DEPARTMENT.
- b) NEVER PICK UP A FLAMING PAN - you may be burned.
- c) DO NOT USE WATER, including wet dishcloths or towels - a violent steam explosion will result.
- d) Use an extinguisher **ONLY** if:
 - 1) You know you have a class ABC extinguisher, and you already know how to operate it.
 - 2) The fire is small and contained in the area where it started.
 - 3) The fire department is being called.
 - 4) You can fight the fire with your back to an exit.

^aBased on "Kitchen Fire Safety Tips" published by NFPA.

OPERATION

a. Always leave safety grills and filters in place. Without these components, operating blowers could catch onto hair, fingers and loose clothing.

The manufacturer declines all responsibility in the event of failure to observe the instructions given here for installation, maintenance and suitable use of the product. The manufacturer further declines all responsibility for injury due to negligence and the warranty of the unit automatically expires due to improper maintenance.

Electrical & Installation requirements

Electrical requirements

IMPORTANT

Observe all governing codes and ordinances.

Ensure that the electrical installation is adequate and in conformance with National Electrical Code, ANSI/NFPA 70 (latest edition), or CSA Standards C22.1-94, Canadian Electrical Code, Part 1 and C22.2 No. 0-M91 (latest edition) and all local codes and ordinances.

If codes permit and a separate ground wire is used, it is recommended that a qualified electrician determine that the ground path is adequate.

A copy of the above code standards can be obtained from:

National Fire Protection Association
One Batterymarch Park
Quincy, MA 02269
CSA International
8501 East Pleasant Valley Road
Cleveland, OH 44131-5575

- A 120 volt, 60 Hz., AC only, 15-amp, fused electrical circuit is required.
- If the house has aluminum wiring, follow the procedure below:
 1. Connect a section of solid copper wire to the pigtail leads.
 2. Connect the aluminum wiring to the added section of copper wire using special connectors and/or tools designed and UL listed for joining copper to aluminum.

Follow the electrical connector manufacturer's recommended procedure. Aluminum/copper connection must conform with local codes and industry accepted wiring practices.

- Wire sizes and connections must conform with the rating of the appliance as specified on the model/serial rating plate. The model serial plate is located on the front of the downdraft vent, above the wiring box cover.
- Wire sizes must conform to the requirements of the National Electrical Code, ANSI/NFPA 70 (latest edition), or CSA Standards C22.1-94, Canadian Electrical Code, Part 1 and C22.2 No. 0-M91 (latest edition) and all local codes and ordinances.

Before installing the hood

NOTE: Downdraft vent is installed directly behind the cooktop.

Install the downdraft vent first, then install the cooktop.

IMPORTANT: Observe all governing codes and ordinances.

- Have a qualified technician install the downdraft vent. It is the installer's responsibility to comply with installation clearances specified on the model/serial rating plate. The model/serial rating plate is located on the front of the downdraft vent above the terminal box cover.
- Downdraft vent location should be away from strong draft areas, such as windows, doors, and strong heating vents or fans.
- Cabinet opening dimensions that are shown must be used. Given dimensions provide minimum clearance.
- Consult the cooktop manufacturer installation instructions before making any cutouts.
- Check that the downdraft vent and cooktop location will clear the cabinet walls, backsplash, and rear wall studs inside the cabinet.
- Check for the minimum distance between the front edge of the countertop and the front edge of the cooktop. The minimum horizontal distance between the overhead cabinets is the same as the width of the installed downdraft vent.
- All openings in ceiling and wall where the downdraft vent will be installed must be sealed.
- Grounded electrical outlet is required. See "Electrical Requirements" section.
- When installing the downdraft vent, the cabinet drawer will need to be removed and the drawer front installed permanently to the cabinet.

Cabinet Construction:

Downdraft vent is designed for use in a cabinet with a depth of 24" (61 cm). Some installations require a countertop deeper than 25" (63.5 cm). See the "Countertop Cutout Dimensions Chart." The maximum depth of the overhead cabinet is 13" (33 cm). Overhead cabinets installed at either side of the downdraft vent must be 18" (45.7 cm) above the cooking surface.

For Mobile Home Installations

The installation of this downdraft vent must conform to the Manufactured Home Construction Safety Standards, Title 24 CFR, Part 328 (formerly the Federal Standard for Mobile Home Construction and Safety, title 24, HUD, Part 280) or when such standard is not applicable, the standard for Manufactured Home Installation 1982 (Manufactured Home Sites, Communities and Setups) ANSI A225.1/NFPA 501A, or latest edition, or with local codes.

List of Materials

Removing the packaging

CAUTION!

Remove carton carefully, wear gloves to protect against sharp edges.

WARNING!

Remove the protective film covering the product before putting into operation.

Parts supplied

- Downdraft assembly with blower already installed
- Metal grease filters
- 2 - Lower support legs
- 2 - End caps
- 6" round air transition
- 3¼"x10" rectangular air transition
- Metallic top trim
- Control assembly
- Hardware bag with:
 - Use, care and installation guide
 - Plastic control base
 - 1 - Shrinkable wire tube
 - 2 - Plastic wire ties
 - 2 - Installation brackets
 - 4 - Plastic clips for aspiration plate
 - 7 - Adhesive wire clips
 - 8 - 4 x 8 mm mounting screws
 - 11 - 4.5 x 13 mm mounting screws
 - 3 - 3.5 x 9.5 mm transition mounting screws

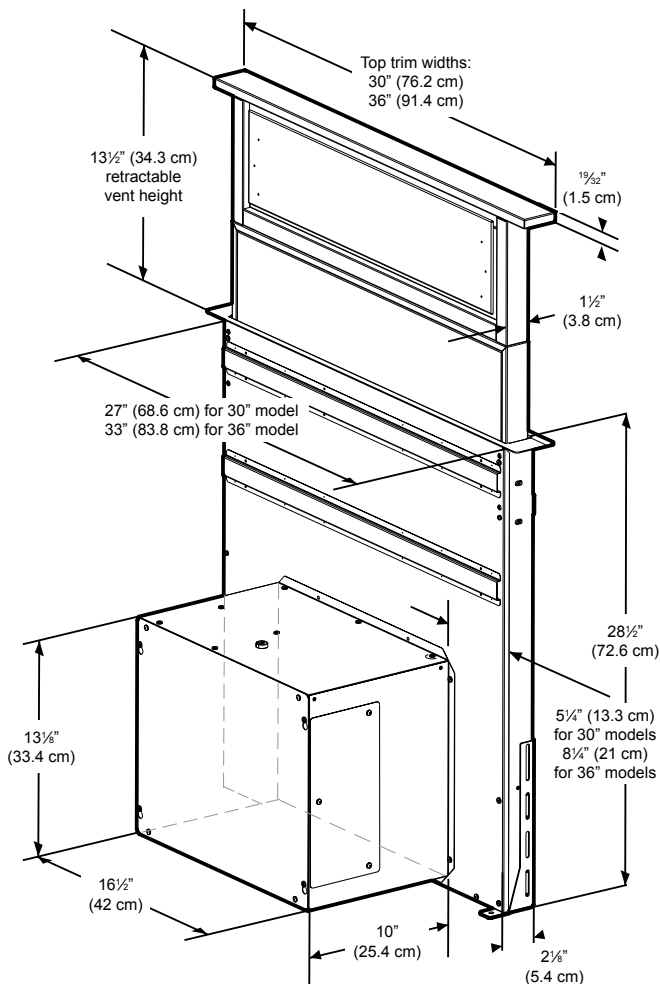
Parts needed

- Home power supply cable
- ½" (12.7 mm) UL listed or CSA approved strain relief
- 3 UL listed wire connectors
- 1 wall or roof cap
- 6" round metal vent system or 3¼"x10" rectangular vent system

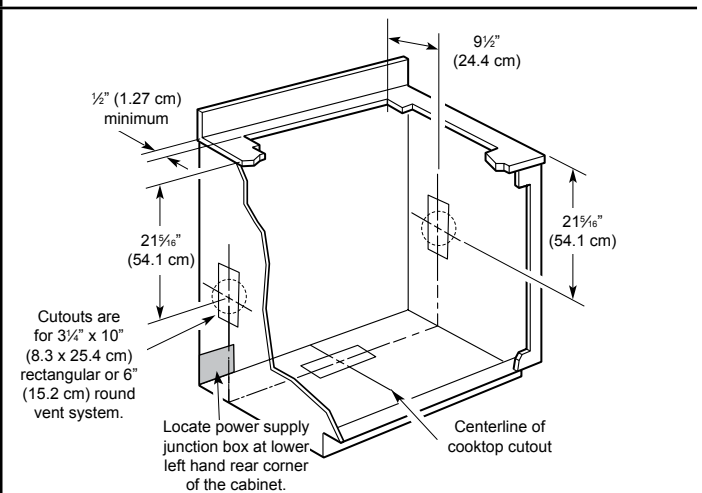
Tools/Materials required

- Level
- Drill with 1¼" (3.2 cm), ⅛" (3.2 mm), and ⅝" (7.9 mm) drill bits
- Pencil
- Wire stripper or utility knife
- Tape measure or ruler
- Pliers
- Caulking gun and weatherproof caulking compound
- Vent clamps
- Jigsaw or keyhole saw
- Flat-blade screwdriver
- Metal snips

Product Dimensions



Cabinet Dimensions



NOTES:

- See cooktop manufacturer's instructions for cooktop cutout depth and width.
- Use dimensions for vent system cutout location that applies to your installation.
- Interior mounted blower systems connect with 3¼" x 10" (8.3 x 25.4 cm) rectangular or 6" (15.2 cm) round vent system. The cutout locations for this vent system will depend on your specific installation.

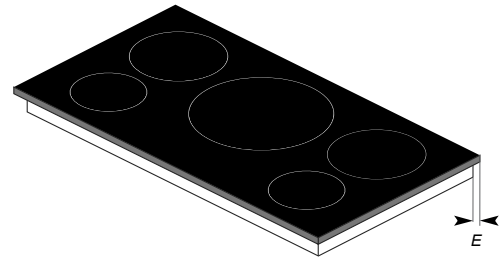
Countertop Cutout Dimensions

IMPORTANT: Countertops with a bull-nosed front edge are not recommended for these installations.

Some models require a countertop deeper than 25" (63.5 cm); see the following "Countertop Cutout Dimensions Chart."

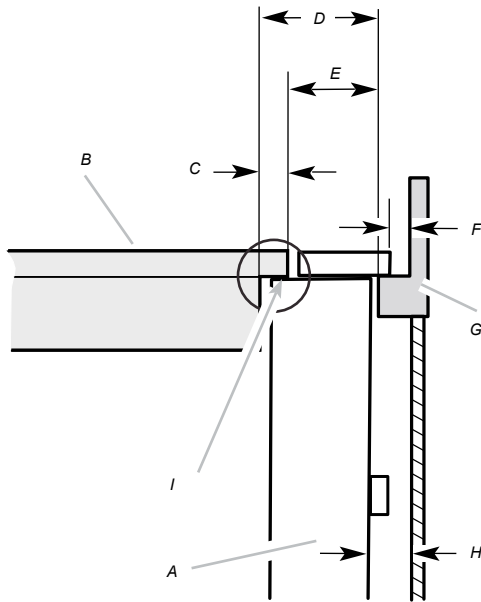
To avoid mistakes, it is recommended that the cooktop and vent cutouts be drawn on the countertop before making any cutouts. See the Installation Instructions that came with your cooktop for complete cutout dimensions, location dimensions and installation details.

NOTE: In order to avoid any possible whistle problem, it is recommended to keep at minimum the distance between the cooktop and the downdraft vent (I). It is recommended a sealer application in that area.



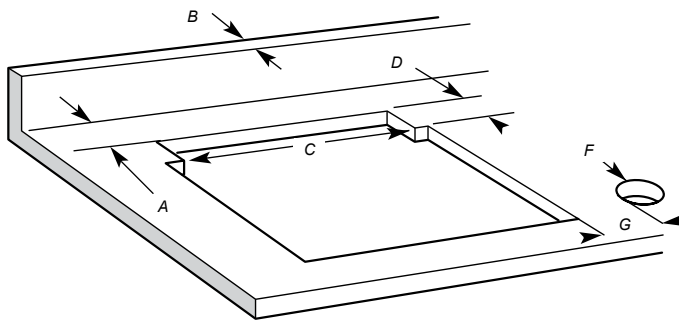
- A. 1/2" (12.7 mm) minimum to backsplash or rear wall
- B. 3/4" (19.1 mm) maximum backsplash depth
- C. 27 1/2" (69.9 cm) on 30" (76.2 cm) models
33 1/2" (85.9 cm) on 36" (91.4 cm) models
- D. $D = E + 2 1/2"$ (61 mm)

- E. Cooktop rear overhang
- F. $\varnothing 2 1/8"$ (6.5 cm). The control can be installed in both left or right sides.
- G. Minimum distance from cooktop 4" (10 cm) maximum distance from cooktop 8" (20 cm)



- A. Downdraft vent
- B. Cooktop
- C. Measurement of cooktop rear overhang
- D. $D = \text{Measurement of cooktop rear overhang (C)} + 2 1/2"$ [61 mm] (E)
- E. 2 1/2" (61 mm)
- F. 1/4" (6.4 mm) minimum
- G. Countertop and backsplash
- H. 1/2" (12.7 mm) minimum
- I. Seal the cooktop / downdraft joint

Countertop Cutout Dimensions Chart



Venting Requirements

IMPORTANT: Make sure there is proper clearance within the wall or floor before making exhaust vent cutouts.

- Use heavy (rigid) metal vent.
- Venting system must terminate to the outside.
- Do not terminate the vent system in an attic or other enclosed area.
- Do not use 4" (10.2 cm) laundry-type wall caps.
- Do not install 2 elbows together.
- Do not use plastic or metal foil vent.
- The length of vent system and number of elbows should be kept to a minimum to provide efficient performance.
- Use no more than three 90° elbows
- Make sure there is a minimum of 24" (61 cm) of straight vent between the elbows if more than one elbow is used.
- Use clamps or duct tape to seal all joints in the vent system.
- Use caulking tape to seal the exterior wall or floor opening around cap.
- Do not cut joist or stud. If vent cutout falls over a joist or stud, a supporting frame must be constructed.
- Flexible metal vent is not recommended. If it is used, calculate each foot of flexible vent as 2 ft (0.6 m) of rigid metal vent. Flexible elbows count twice as much as standard elbows.

Cold Weather Installations

An additional back draft damper should be installed to minimize backward cold air flow and a thermal break should be installed to minimize conduction of outside temperatures as part of the vent system. The damper should be on the cold air side of the thermal break.

The break should be as close as possible to where the vent system enters the heated portion of the house.

Makeup Air

Local building codes may require the use of makeup air systems when using ventilation systems greater than specified CFM of air movement. The specified CFM varies from locale to locale. Consult your HVAC professional for specific requirements in your area.

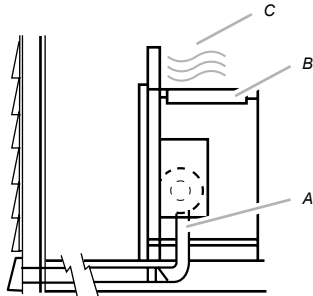
Installation Instructions

Venting Methods

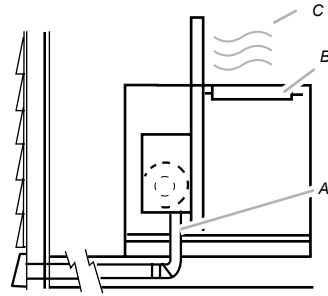
Determine which venting method is best for your application. Vent system can terminate either through the wall or floor.

Island locations

Front (standard) mounted blower motor

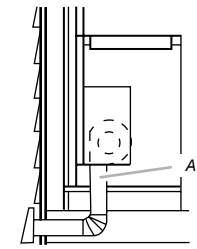


Rear mounted blower motor (Reversible version)

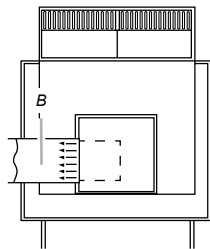


A. Down vent
B. Cooktop
C. Aspiration plate

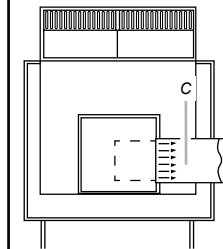
Built-in cabinet locations



A. Down vent



B. Left vent

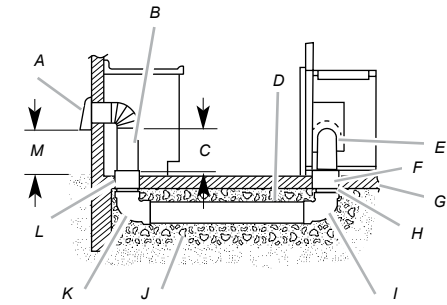


C. Right vent

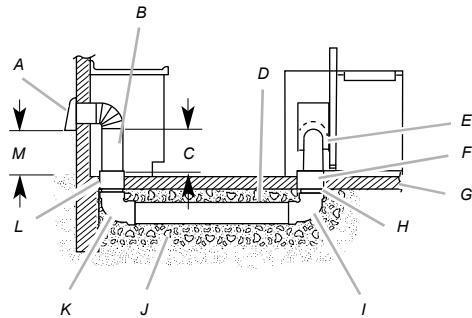
Island locations

Vent systems installed under a concrete slab using PVC sewer pipe.

Front (standard) mounted blower motor



Rear mounted blower motor (reversible aspiration plate)



A. Wall cap
B. 6" (15.2 cm) round metal vent
C. 16" (40.6 cm) maximum
D. 6" (15.2 cm) round PVC sewer pipe
E. 6" (15.2 cm) round metal vent transition with damper (supplied)
F. 6" (15.2 cm) round PVC coupling
G. Concrete slab
H. 6" (15.2 cm) round PVC sewer pipe

I. 6" (15.2 cm) round 90° PVC sewer pipe elbow
J. Tightly pack gravel or sand completely around pipe
K. 6" (15.2 cm) round 90° PVC sewer pipe elbow
L. 6" (15.2 cm) round PVC coupling
M. 12" (30.5 cm) minimum

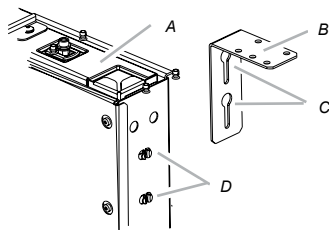
Installing the vent system

WARNING

Excessive Weight Hazard

Use two or more people to move and install downdraft vent. Failure to do so can result in back or other injury.

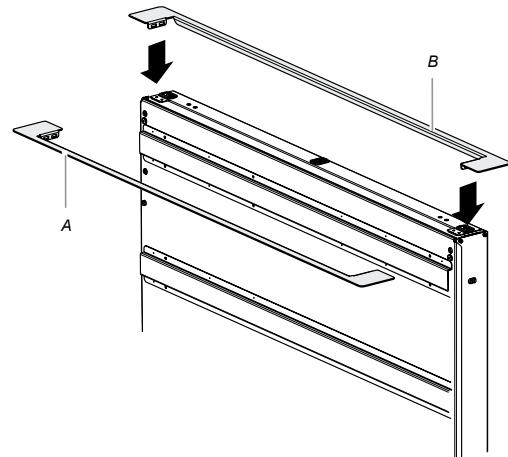
- Place cardboard or similar material on top of a flat surface where you can easily assemble the downdraft vent system.
- Remove parts packages, downdraft vent and blower box from the carton.
- Remove all shipping materials, tape and film from the downdraft vent and blower box.
- Install the right and left undercounter mounting brackets to the vent box. Slide the keyhole slots over the guide tabs and push the brackets up to set them in place.



A. Vent box
B. Undercounter mounting bracket

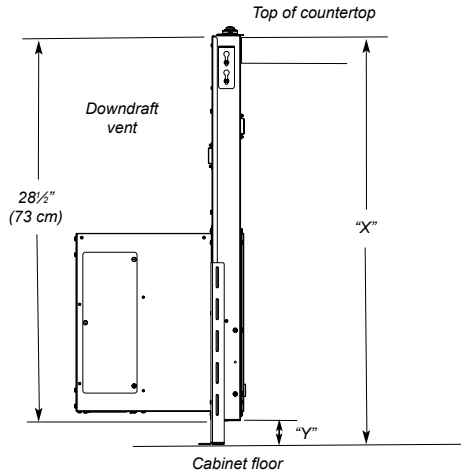
C. Keyhole slots
D. Guide tabs

- Attach the end cap to the vent box, depending on what vent position you choose (standard or reversible). Place the tabs into the mounting slots at each end of the downdraft vent as shown and push down to lock into place.

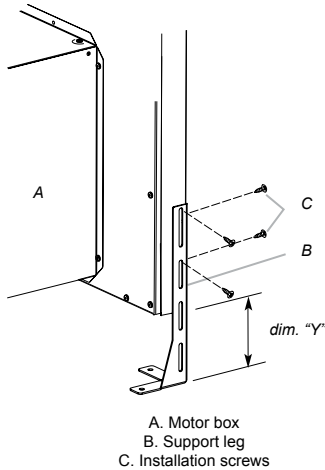


A. Standard installation cap
B. Reversible installation cap
NOTE: Only one cap must be mounted A or B

6. Measure distance "X" from the cabinet floor to the top of the countertop. Subtract 28½" from distance "X" to determine dimension "Y" ($X - 28\frac{1}{2} = Y$).



7. Attach the support legs to the side of the vent box with 4 - 4 x 8 mm screws in each support leg. Adjust to dimension "Y" from the bottom of the vent box to the bottom of the support legs. Tighten screws.



Determine which vent direction is best for your installation

When installed in a cabinet, vent system can exhaust through the bottom, right or left of the cabinet.

IMPORTANT: When using the 6" (15.2 cm) vent transition (supplied) for 6" round venting, only left or right venting is recommended.

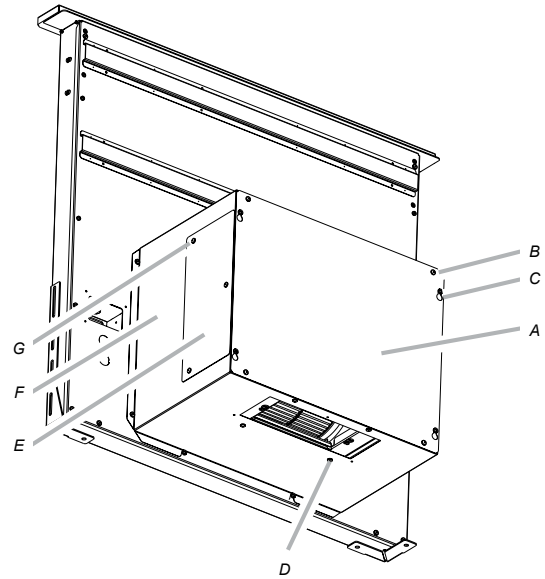
Bottom venting

NOTE: If installing the vent damper in the down position, a wall or roof cap with a damper at the exit end of the vent system is required.

- Downdraft vent is shipped with blower in down venting position so no modification is required.
- If rear mounting of the blower motor is not required, go to the "Complete Installation" section.
- To mount the blower motor to the rear side of the vent box, go to the "Rear Mounting (reversible mode)" section.

Left or right venting:

1. Using two or more people, place the downdraft vent system on its back.
2. Remove the 4 screws from the cover plate mounted to the face of the motor box and set them aside.

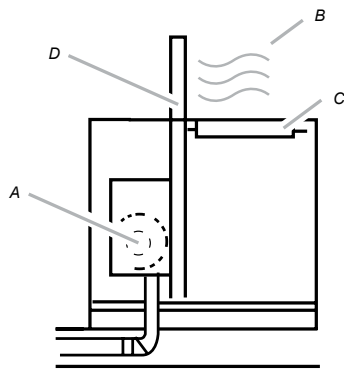


- A. Cover plate
- B. Cover plate screws
- C. Cover plate keyhole slot shoulder screws
- D. Motor mounting screws
- E. Vent cover plate
- F. Motor box
- G. Vent cover screws

3. Slide the cover plate up and slip it over the keyhole slot shoulder screws. Set the cover aside.
4. Remove 4 screws from the bottom of the motor box that hold the motor assembly to the motor box.
NOTE: Disconnect the electrical wiring connection from motor if needed.
5. Remove 3 screws and the vent cover plate from the left or right side of the motor box for the venting direction to be used.
6. Rotate the blower motor assembly 90 degrees to the left or right side to the chosen venting direction and secure to the blower box with motor mounting screws previously removed. Do not twist or bind the wires.
7. Install the vent cover plate over the rectangular opening in the bottom of the motor box and secure with vent cover screws.
NOTE: Reinstall the electrical wiring connection to motor if removed.
8. Reinstall the cover plate to the face of the motor box and secure with 4 cover plate screws previously removed.

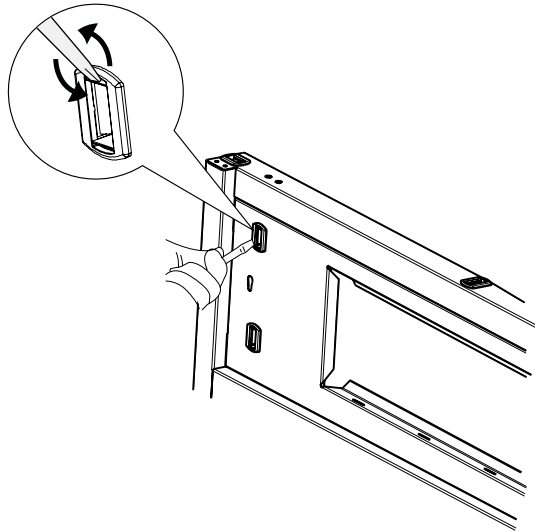
Rear mounting (reversible mode)

An optional aspiration assembly mounting position (opposite side) for island cabinet locations. The aspiration side assembly (metallic plate, filters), can be moved to the opposite side (rear) of the vent.

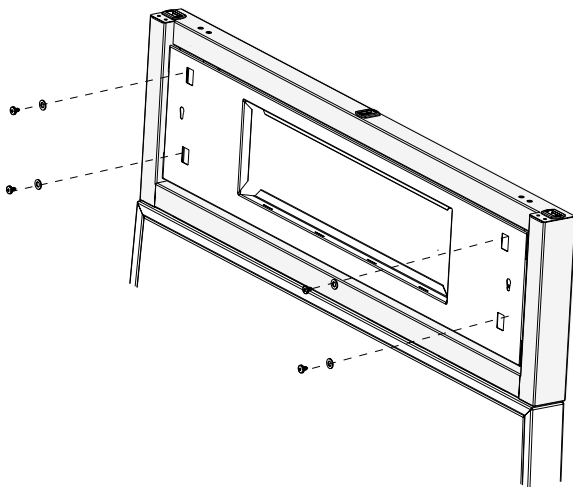


A. Motor box
B. Aspiration orientation
C. Cooktop
D. Ensemble de aspiración

1. Move the aspiration plate and the grease filters and put them aside. (See the Cleaning section).
2. With the help of a flat head screwdriver, gently take off the aspiration plate plastic clips.

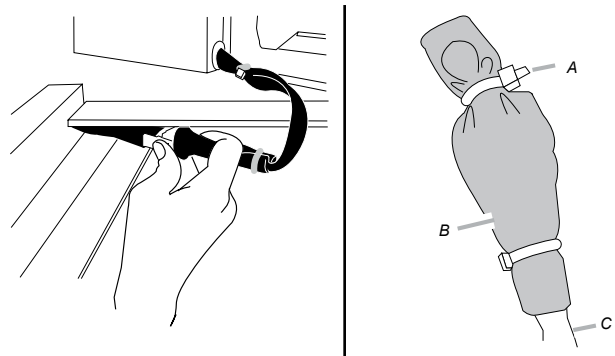


3. Once the clips were removed from the aspiration assembly, retire the screws and washer as shown the image below. Put the screws aside.



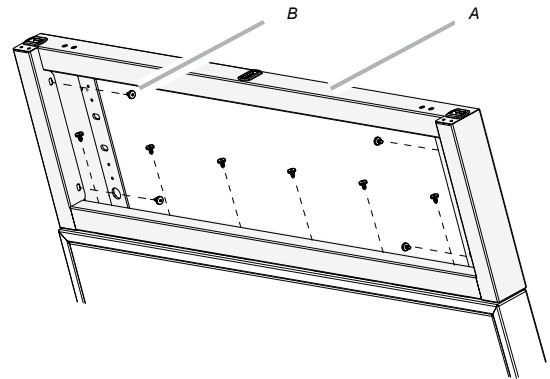
4. Unplug the aspiration assembly's electrical connection, and remove it from the hood.

NOTE: Once you have unplug the connector, cover it with the shrinkable wire tube and the plastic ties as shows the image below. Set free the opposite connector.



A. Plastic wire clip
B. Shrinkable wire tube
C. Aspiration assembly connection

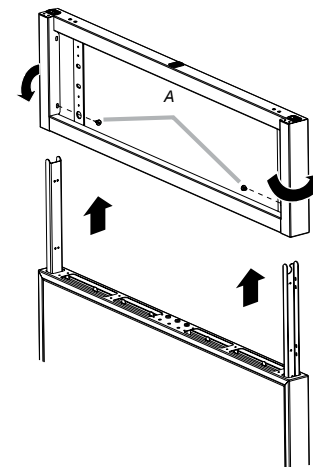
5. Remove the mounting screws from the aspiration structure as shown the image below.



A. Aspiration structure
B. Installation screws

6. Lift the structure and flip it to the opposite side and fix it with the same screws previously removed.

NOTE: In order to properly align the structure, begin installing the screws shown in the drawing.



A. Installation screws

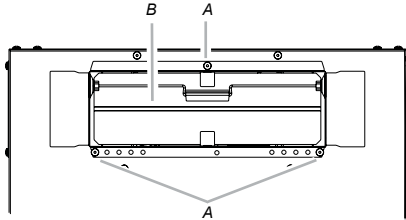
7. Plug the electrical connexion and put it into place.
8. Put back the screws and metal washers to the aspiration assembly. Insert the plastic clips back.
9. Relocate the grease filters and the aspiration plate.

Complete Installation

NOTE: The downdraft vent system is supplied with a 3¼" x 10" (8.3 x 25.4 cm) rectangular vent transition and a 6" (15.2 cm) round vent transition with damper. Refer to "3¼" x 10" (8.3 x 25.4 cm) back draft damper" or "6" (15.2 cm) round vent transition with damper," depending upon the type of venting you are using.

3¼" x 10" (8.3 x 25.4 cm) back draft damper

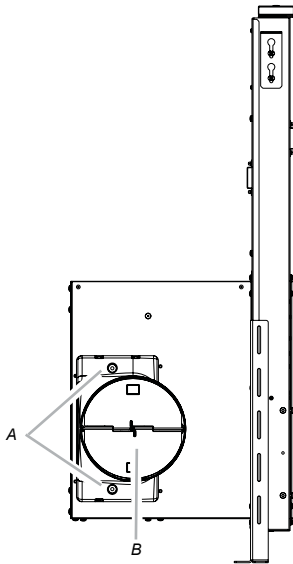
1. Attach the 3¼" x 10" (8.3 x 25.4 cm) back draft damper to the vent opening in the blower motor box, using three 3.5 x 9.5 mm screws.



A. 3.5 x 9.5 mm screws
B. 3¼" x 10" (8.3 x 25.4 cm) back draft damper

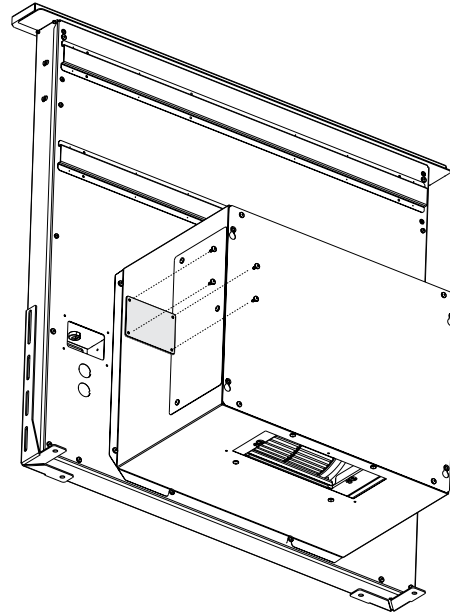
6" (15.2 cm) round vent transition with damper

2. Attach the 6" (15.2 cm) round vent transition to vent opening (left or right side venting only is recommended), using two 3.5 x 9.5 mm screws.

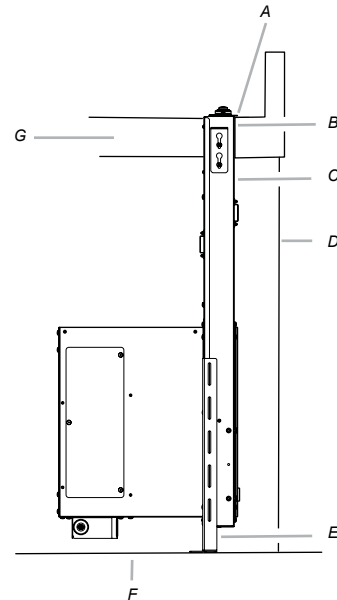


A. 3.5 x 9.5 mm screws
B. 6" (15.2 cm) round vent transition with damper

3. Remove 4 screws attaching the terminal box cover.
4. Determine which direction (front or rear) the home power supply cable will enter the terminal box. Remove the appropriate knockout from the front or rear panel and install a ½" (12.7 mm) UL listed or CSA approved conduit connector.

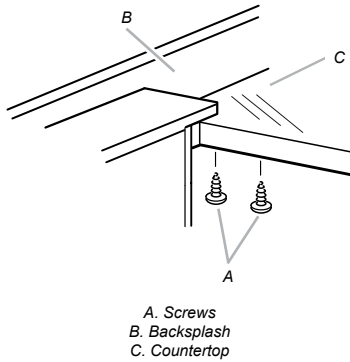


5. Using 2 or more people, insert the downdraft vent into the countertop cutout. Position downdraft vent so it is centered in the cutout with the rear flange over the edge of the cutout and the rear of the vent box against the edge of the cutout.

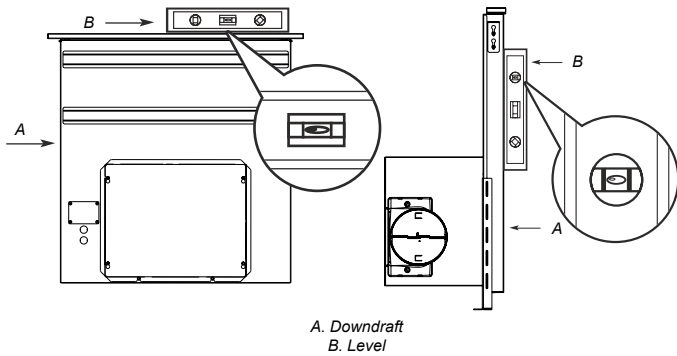


A. Rear flange of downdraft vent
B. Edge of cutout in countertop
C. Rear of downdraft vent
D. Cabinet back
E. Lower support leg
F. Cabinet floor
G. Countertop

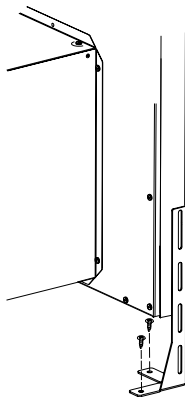
6. Drill 2 pilot holes through each of the undercounter mounting brackets into the underside of the countertop. Using 2 - 4.5 x 13 mm screws, mount the brackets to the countertop.
- IMPORTANT:** Select a screw length that will not allow the screws to go through the countertop when tightened.



7. Check that the downdraft vent is level vertically. Loosen the lower support legs screws and position the legs against the cabinet floor.



9. Fasten the lower support legs to the cabinet floor with 2 - 4.5 x 13 screws (on each leg).

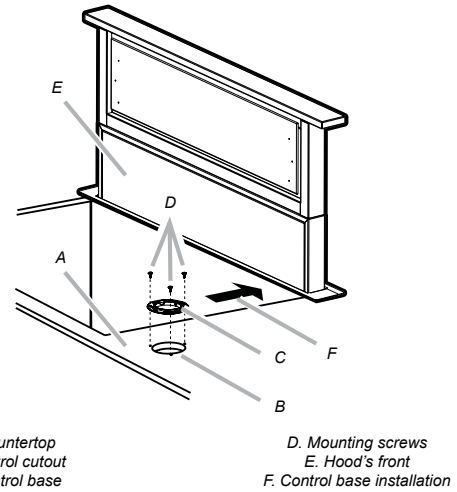


10. Tighten the lower support legs screws.

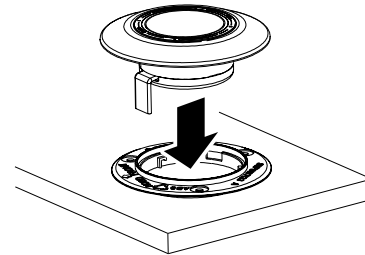
Control Installation

- Before the control installation, make sure you have made the cutouts to proceed (see "Countertop Dimensions Chart").
- Place the control base on location and mark the holes with a pencil.
- Drill on the marked locations.
- Place the control base on the countertop and drive 3 - 4.5 x 13 mm installation screws.

NOTE: The legend "Front" is written on the control base. This legend always must be oriented to the hood's front (F).



- Run the control cable through the countertop hole.
- Push down the control assembly against the control base, until you hear the click.



Electrical connection

WARNING

Electrical Shock Hazard

Disconnect power before servicing.

Replace all parts and panels before operating.

Failure to do so can result in death or electrical shock.

1. Disconnect power.
2. Feed the power supply cable through the conduit connector and into the terminal box.

WARNING

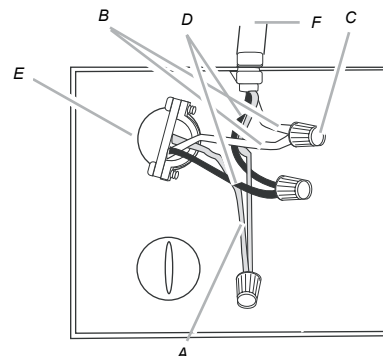
Electrical Shock Hazard

Electrically ground blower.

Connect ground wire to green and yellow ground wire in terminal box.

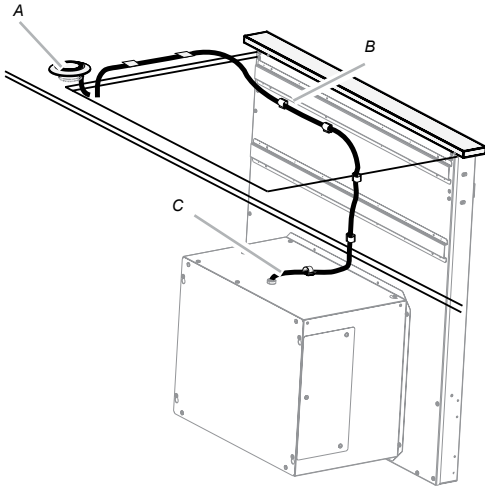
Failure to do so can result in death or electrical shock.

3. Connect the green (or green/yellow) ground wire to the green or yellow/green ground wire using UL listed wire connectors.
4. Tighten the screw on the conduit connector.
5. Connect the 2 white wires together using UL listed wire connectors.



Control connection

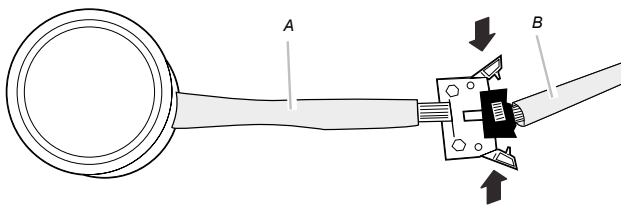
1. Run the control wire from the motor box to the location of the control assembly (see the image below).



A. Control
B. Adhesive wire clips
C. Control connection wire

NOTE: It is recommended to guide the connection wire as close as possible to the motor box, avoiding to get the wire loose. Use the provided adhesive wire clips.

2. Plug both wire connectors.

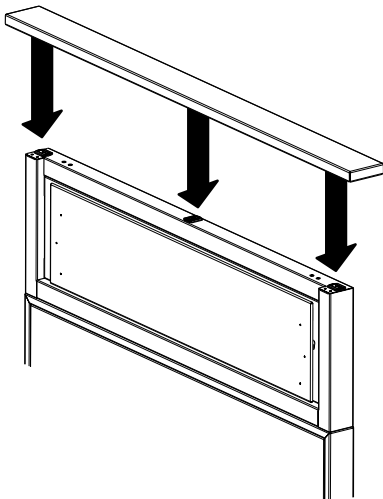


A. Control wire
B. Motor box wire

3. Check the operation.

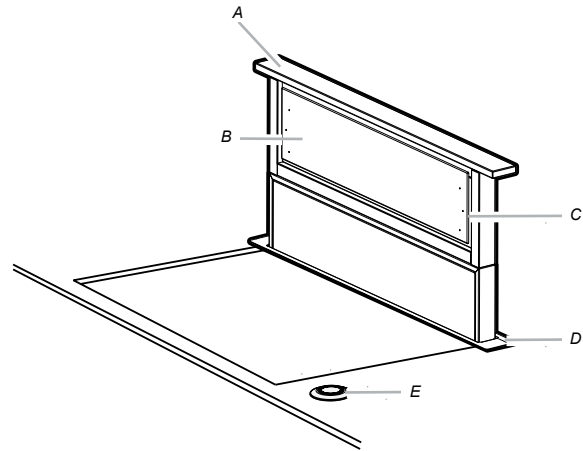
Installing the Top trim

1. Push down the top trim against the downdraft top. The top trim's pins must enter into the downdraft plastic clips.



Check operation

1. Push and hold the control button for a few seconds. The retractable section of the downdraft vent will rise, and the blower will start. Position the top trim over the retractable section and snap trim into place.



A. Top trim
B. Aspiration plate
C. Grease filters
D. End cap
E. Control

2. If the blower does not operate:
 - Check that aspiration plate is pressed in as far as they will go.
 - Check that the circuit breaker has not tripped or a household fuse blown.
3. Connect vent system to blower. Vent system must end with a wall or roof cap. Use clamps or duct tape to seal all joints.
4. Install cooktop according to manufacturer's instructions.

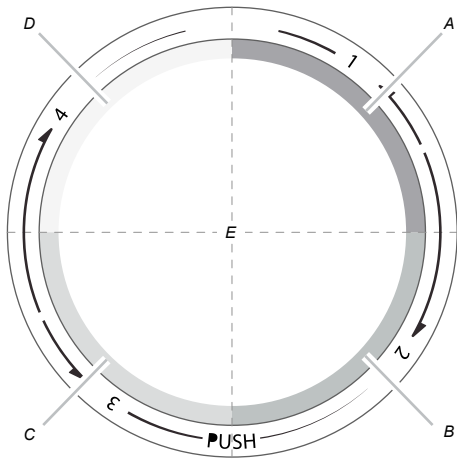
VENT SYSTEM USE

The retractable downdraft vent system is designed to remove smoke, cooking vapors and odors from the cooktop area.

- For best results, the vent should be operating before cooking is started.
- If you use large or tall utensils, place them on the large rear element or burner surface.
- A higher heat setting than normally used may be needed when the downdraft vent is operating.
- For gas cooktops, the downdraft vent system may affect the flame stability and cooking performance. To improve the burner performance, either decrease the downdraft vent blower speed or increase the cooktop burner flame setting.
- For gas cooktops with flame sensing ignitions, the downdraft vent system may disperse the flame away from the spark igniter and may cause it to continually spark while trying to reignite a burner that is already lit. To resolve the issue of the cooktop igniter continuously sparking, either decrease the downdraft vent blower speed or increase the cooktop flame setting for that burner.

Downdraft Use

Use the high suction speed in cases of concentrated kitchen vapours. It is recommended that the cooker hood suction is switched on for 5 minutes prior to cooking and to leave in operation during cooking and for another 15 minutes approximately after terminating cooking. The control panel consists of a backlit rotating disk.



To raise the downdraft vent system:

Press on the disk (E) approx 2 seconds to raise the downdraft vent system.

Press on the disk (E) approx 2 seconds to hide the downdraft vent system.

NOTE: If you press the disk to hide the downdraft system while it is working, the appliance will automatically turn off.

To select the available suction speeds:

Turn the disk (E) clockwise to turn on and increase the suction speed and counter-clockwise to decrease it, and to turn off the hood.

The crown lights to indicate the selected suction speed:

A lit

speed 1 (minimum).

A + B lit

speed 2 (medium).

A + B + C lit

Speed 3 (maximum).

A + B + C + D lit

Speed 4 (intensive), lasting for 5 minutes, then the hood is placed automatically at speed 2.

A off:

Suction motor off.

A + B + C + D lit in flashing mode

The light crown will flash after 40 hrs. of work. This indicates that the grease filters must be removed and cleaned.

This function must be reset by pressing the button for 5 seconds.

Vent System Care

Surface of Downdraft Vent

To avoid damaging the finish, clean downdraft vent with soap and water. Do not use scouring powder or abrasive solutions.

Exterior Surfaces:

To avoid damage to the exterior surface, do not use steel wool or soap-filled scouring pads.

Always wipe dry to avoid water marks.

Cleaning Method:

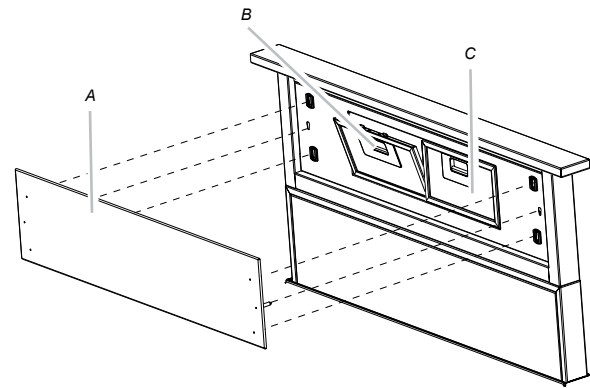
- Liquid detergent soap and water, or all-purpose cleanser
- Wipe with damp soft cloth or nonabrasive sponge, then rinse with clean water and wipe dry.

To Clean:

- Remove the aspiration plate and the filter(s) and clean them in a dishwasher or in a hot detergent solution. The downdraft vent will not operate when the filters are not in place.
- Dry the clean filter(s) and reinstall, making sure that they lock into place.

To Replace Filters:

- Place filters into the retractable section of the downdraft vent.
- Place fingertips into the embossment at the top of the filters and push down and back to allow the top tabs to snap in place.



A. Aspiration plate
B. Grease filter handle
C. Grease filters

NOTE: Downdraft vent will not operate if the aspiration plate are not in its proper position. If the aspiration plates' top tabs are not locked behind the top flange, the vent may retract but not raise back up. If retractable downdraft vent does not operate after clean aspiration plate have been installed:

Push the aspiration plate in as far as it will go. When the plate is removed, the microswitch behind the filter is inactivated. This feature will not allow the vent system to operate until the aspiration plate is properly installed.

Troubleshooting

PROBLEM	POSSIBLE CAUSES AND/OR SOLUTIONS
Nothing will operate	<p>Has a household fuse been blown or has a circuit breaker tripped? Replace the fuse or reset the circuit breaker. If the problem continues, call an electrician.</p> <p>Is the aspiration plate in its proper position? Check that aspiration plate is pressed in as far as they will go.</p> <p>Has the Control button been pressed for at least 2 seconds? Push and hold the control button for at least 2 seconds to complete the cycle needed to start retracting.</p>
Vent does not retract	<p>Is the aspiration plate in place? When the plate is removed, the microswitch behind the filter is inactivated. This feature will not allow the vent system to operate until the aspiration plate is properly installed.</p> <p>Is the aspiration plate installed correctly? Push the filter in as far as it will go to activate the microswitch behind the filter.</p> <p>Has the Control button been pressed for at least 2 seconds? Push and hold the control button for at least 2 seconds to complete the cycle needed to start retracting.</p> <p>Is the downdraft correctly secured? Make sure that the vent hood is level and upright. Check it is securely fastened to the floor and the counter top.</p>
Vent partially raises	<p>Has an obstruction been interfering with the vent movement? Ensure the cooktop is not interfering with the downdraft vent movement.</p> <p>Is the vent leveled? Level the vent. See the “Complete the Installation” section.</p>
Blower does not operate	<p>Is the vent fully raised? Check that the vent is totally in the up position.</p> <p>Is the aspiration plate installed correctly? Push the filter in as far as it will go to activate the microswitch behind the filter.</p> <p>Has the control button been activated? Turn the disk clockwise to turn on and increase the suction speed and counter-clockwise to decrease it, and to turn off the hood.</p> <p>Is the blower installed correctly? See the “Rear mounting (reversible mode)” section.</p>
Downdraft not level on countertop	<p>Is the vent leveled? Level the vent. See the “Complete the Installation” section.</p> <p>Is the vent raising more in one side? Make sure both of the support legs have the same height from the bottom of the vent box to the bottom of the support legs. See the “Installing the vent System” section.</p>
Vent making noises	<p>Was the vent recently installed and making grinding noises? Use stainless steel cleaner to remove any residue left by the white protective film. Ensure nothing is blocking path of vent.</p> <p>Is there noise due to moving air? Ensure the installation of the product is fully into the cutout and no gap in the middle of it.</p>

WARRANTY

ELICA North America

TWO-YEARS LIMITED WARRANTY

TO OBTAIN SERVICE UNDER WARRANTY

Owner must present proof of original purchase date. Please keep a copy of your dated proof of purchase (sales slip) in order to obtain service under warranty.

PARTS AND SERVICE WARRANTY

For the period of two (2) years from the date of the original purchase, Elica will provide free of charge, non consumable parts or components that failed due to manufacturing defects. During these two (2) years limited warranty, Elica will also provide free of charge, all labor and in-home service to replace any defective parts.

WHAT IS NOT COVERED

- Damage or failure to the product caused by accident or act of God, such as, flood, fire or earthquake.
- Damage or failure caused by modification of the product or use of non-genuine parts.
- Damage or failure to the product caused during delivery, handling or installation.
- Damage or failure to the product caused by operator abuse.
- Damage or failure to the product caused by dwelling fuse replacement or resetting of circuit breakers.
- Damage or failure caused by use of product in a commercial application.
- Service trips to dwelling to provide use or installation guidance.
- Light bulbs, metal or carbon filters and any other consumable part.
- Normal wear of finish.
- Wear to finish due to operator abuse, improper maintenance, use of corrosive or abrasive cleaning products/pads and oven cleaner products.

WHO IS COVERED

This warranty is extended to the original purchaser for products purchased for ordinary residential use in North America (Including the United States, Guam, Puerto Rico, US Virgin Islands & Canada).

This warranty is non-transferable and applies only to the original purchaser and does not extend to subsequent owners of the product. This warranty is made expressly in lieu of all other warranties, expressed or implied, including, but not limited to any implied warranty of merchantability or fitness for a particular purpose and all other obligations on the part of Elica North America, provided, however, that if the disclaimer of implied warranties is ineffective under applicable law, the duration of any implied warranty arising by operation of law shall be limited to two (2) years from the date of original purchase at retail or such longer period as may be required by applicable law.

This warranty does not cover any special, incidental and/or consequential damages, nor loss of profits, suffered by the original purchaser, its customers and/or the users of the Products.

WHO TO CONTACT

To obtain service under warranty or for any service related question:

- Elica North America Authorized Service - 888 732 8018
- elica@servicepower.com

Français

Sommaire

Avis de sécurité important.....	17
Exigences électriques et d'installation.....	18
Outils et pièces.....	19
Pièces fournies	19
Pièces non fournies.....	19
Dimensions du produit	19
Dimensions des ouvertures à découper.....	20
Exigences concernant l'évacuation.....	20
Instructions d'installation.....	21
Déterminer la meilleure orientation de l'évacuation pour l'installation.....	22
Montage arrière (mode réversible)	23
Achever l'installation	24
Installation de commande.....	25
Raccordement électrique.....	25
Contrôle du fonctionnement.....	26
Utilisation du système d'extraction par le bas.....	27
Entretien du système d'évacuation.....	27
Dépannage	28
Garantie	29

APPROUVÉ COMME APPAREIL DOMESTIQUE POUR UNE UTILISATION RÉSIDENIELLE SEULEMENT LISEZ CES INSTRUCTIONS ET CONSERVEZ-LES

VEUILLEZ LIRE CES INSTRUCTIONS AU COMPLET AVANT DE COMMENCER.

L'INSTALLATION DE L'APPAREIL DOIT RESPECTER TOUS LES CODES EN VIGUEUR.

IMPORTANT: Conservez ces instructions afin de pouvoir les remettre à l'inspecteur-électricien de votre région.

INSTALLATEUR: Veuillez laisser ces instructions avec l'appareil pour le propriétaire.

PROPRIÉTAIRE: Veuillez conserver ces instructions pour pouvoir vous y référer plus tard.

Avertissement de sécurité: Coupez l'alimentation du circuit dans le panneau électrique et verrouillez le panneau avant de raccorder les fils de cet appareil.

Exigence: 120 V c.a., 60 Hz circuit de dérivation de 15 V c.a., 20 Hz, de 15 ou 20 A.

LIRE ET CONSERVER CES INSTRUCTIONS

Avis de sécurité important

ATTENTION

UTILISER CET APPAREIL À DES FINS DE VENTILATION GÉNÉRALE SEULEMENT. NE PAS UTILISER CET APPAREIL POUR ÉVACUER DES MATÉRIAUX OU DES VAPEURS DANGEREUX OU EXPLOSIFS.

AVERTISSEMENT

POUR RÉDUIRE LES RISQUES D'INCENDIE, DE CHOC ÉLECTRIQUE ET DE BLESSURE, RESPECTER LES DIRECTIVES SUIVANTES :

- A. Utiliser cet appareil uniquement aux fins prévues par le fabricant. Si vous avez des questions à propos de l'appareil, communiquez avec le fabricant.
- B. Avant de faire l'entretien de l'appareil ou de le nettoyer, coupez l'alimentation dans le panneau électrique et verrouillez le panneau en bloquant le dispositif permettant d'empêcher d'activer l'alimentation accidentellement. S'il n'est pas possible de verrouiller l'accès au panneau, fixez une étiquette très voyante au panneau électrique.
- C. Une personne qualifiée doit effectuer l'installation et le câblage des fils électriques en conformité avec tous les codes et toutes les normes, y compris la cote de résistance au feu.
- D. Il est important de prévoir suffisamment d'air pour assurer une bonne combustion de l'équipement de chauffe et l'évacuation adéquates des gaz par le conduit de cheminé afin de prévenir les refoulements d'air. Respectez les directives et les normes de sécurité des fabricants de l'équipement de chauffage, comme celles publiées par la National Fire Protection Association (NFPA), la American Society for Heating, Refrigeration and Air Conditioning Engineers (ASHRAE) et le code des autorités de votre région.
- E. Au moment de couper ou de percer un mur ou un plafond, assurez-vous de ne pas endommager la filerie électrique ou tout autre accès à un service public.
- F. Il faut toujours évacuer à l'extérieur les systèmes à conduit.

ATTENTION

Pour réduire les risques d'incendie et évacuer l'air correctement, assurez-vous que le conduit mène à l'extérieur; il ne faut pas évacuer l'air dans l'espace entre les murs, dans les plafonds, dans les greniers, les vides sanitaires ou les garages.

AVERTISSEMENT

POUR RÉDUIRE DES RISQUES D'INCENDIE, UTILISEZ UNIQUEMENT DES CONDUITS EN MÉTAL.

Installez cette hotte en respectant toutes les exigences mentionnées.

AVERTISSEMENT

Pour réduire les risques d'incendie et de choc électrique, n'utilisez pas cette hotte avec un contrôleur de vitesse à semi-conducteurs.

AVERTISSEMENT

POUR RÉDUIRE LES RISQUES D'INCENDIE DE GRAISSE SUR LES CUISINIÈRES.

- a) Ne laissez jamais la cuisinière sans surveillance lorsqu'elle est réglée à une haute température. Les débordements par bouillonnement causent de la fumée et des débordements de gras qui peuvent s'enflammer. Faites chauffer l'huile lentement, à une température basse ou moyenne.
- b) Faites toujours fonctionner la hotte lorsque vous utilisez la cuisinière à une haute température ou que vous faites flamber des aliments (P. ex. : crêpes Suzette, cerises jubiléées, boeuf au poivre flambé).
- c) Nettoyez les hélices de ventilation fréquemment. Il ne faut pas que la graisse s'accumule sur les filtres ou les hélices.
- d) Utilisez le bon format de casserole. Utilisez toujours un chaudron de taille approprié à l'élément de la cuisinière.

AVERTISSEMENT

POUR ÉVITER DE BLESSER QUELQU'UN LORS D'UN INCENDIE DE GRAISSE SUR LA CUISINIÈRE, SUIVRE LES CONSEILS SUIVANTS: ^a

- a) **ÉTOUFFER LES FLAMMES** avec un couvercle aux dimensions de la taque de cuisson, une tôle à biscuit ou tout autre plateau métallique, puis couper le gaz ou l'alimentation électrique de la cuisinière. **FAIRE ATTENTION A NE PAS SE BRÛLER.** Si les flammes ne s'éteignent pas immédiatement, **QUITTER LA PIÈCE ET APPELER LES POMPIERS.**
- b) **NE JAMAIS PRENDRE EN MAIN UNE CASSEROLE EN FEU,** vous pourriez vous blesser.
- c) **NE PAS UTILISER D'EAU,** y compris les essuies de vaisselle ou les serviettes humides – une violente explosion due à la vapeur formée pourrait survenir.
- d) Utiliser un extincteur **SEULEMENT** si:
 - 1) Vous êtes sûr d'avoir un extincteur de classe ABC que vous savez utiliser.
 - 2) Le feu est petit et confiné à la zone où il s'est formé.
 - 3) Les pompiers ont été appelés.
 - 4) Vous pouvez lutter contre le feu avec une sortie derrière vous.

^a Recommandations tirées des conseils de sécurité en cas d'incendie de cuisine publiés par la NFPA.

MODE OPÉRATOIRE

a. Toujours laisser les grilles de sécurité et les filtres à leur place. Sans la présence de ces derniers, les parties aspirantes pourraient attirer les cheveux, les doigts ou les vêtements.

Le fabricant décline toute responsabilité si les informations détaillées dans ce manuel pour l'installation, l'entretien et l'utilisation adéquate du produit ne sont pas observées. Le fabricant décline en outre toute responsabilité pour d'éventuelles blessures dues à des négligences; en outre, la garantie de l'appareil sera annulée suite à des conditions d'entretien inappropriées. Cet appareil est fabriqué pour un usage interne. Ne pas utiliser cet appareil à l'extérieur.

Exigences électriques et d'installation

Spécifications électriques

IMPORTANT

Respectez tous les codes et les ordonnances en vigueur.

Le client a la responsabilité de:

Contactez un électricien-installateur.

Vérifier que l'installation électrique est adéquate et conforme avec le Code national de l'électricité, ANSI/NFPA 70 (la plus récente édition*), ou les normes C22.1-94, Code canadien de l'électricité, Partie 1 et C22.2 No.0-M91 (La plus récente édition**) de la CSA, ainsi que tous les codes et les ordonnances de votre région.

Si le code le permet et que vous utilisez un fil de mise à la terre distinct, il est recommandé de faire vérifier le chemin du fil par un électricien.

Ne pas mettre l'appareil à la terre sur une conduite de gaz.

Consultez un électricien qualifié si vous n'êtes pas certain que la hotte est mise à la terre correctement.

N'installez pas un fusible dans le circuit neutre ou le circuit de mise à la terre.

IMPORTANT

Conservez ces instructions afin de pouvoir les remettre à l'inspecteur-électricien.

La hotte doit être câblée uniquement à l'aide de fils de cuivre.

Il faut raccorder la hotte directement à une boîte à fusible ou à un disjoncteur par l'entremise d'une canalisation électrique en métal.

Le calibre de fil doit être conforme aux exigences du Code national de l'électricité, ANSI/NFPA 70 (La plus récente édition*), ou les normes C22.1-94, Code canadien de l'électricité, Partie 1 et C22.2 0-M91 (La plus récente édition**) de la CSA, ainsi que tous les codes et les ordonnances de votre région.

Il faut prévoir un connecteur de canalisation approuvé par l'UL ou la CSA à chaque extrémité de la canalisation d'alimentation (À la hotte et à la boîte de jonction).

Vous pouvez obtenir un exemplaire des normes indiquées en vous adressant à :

* La National Fire Protection Association, Batterymarch Park Quincy, Massachusetts, 02269

** La CSA International, 8501 East Pleasant Valley Road, Cleveland, Ohio, 44131-5575

Exigences d'emplacement

REMARQUE: Le système d'extraction par le bas est installé directement derrière la table de cuisson. Installer d'abord le système d'extraction par le bas, puis la table de cuisson.

IMPORTANT: Observer les dispositions de tous les codes et règlements en vigueur.

- Demander à un technicien qualifié d'installer le système d'extraction par le bas. C'est à l'installateur qu'incombe la responsabilité de respecter les distances de séparation exigées, spécifiées sur la plaque signalétique de l'appareil. La plaque signalétique est située à l'avant de l'appareil, au-dessus du couvercle du boîtier de connexion.
- Le système d'extraction par le bas doit être installé à l'écart des zones de forts courants d'air, telles que fenêtres, portes et événements ou ventilateurs de chauffage.
- Respecter les dimensions indiquées pour les ouvertures à découper dans les placards. Ces dimensions tiennent compte des valeurs minimales des dégagements de séparation.
- Avant d'effectuer des coupes, consulter les instructions d'installation fournies par le fabricant de la table de cuisson. Vérifier qu'à l'emplacement d'installation le système d'extraction par le bas et la table de cuisson ne produiront pas d'interférence avec les parois des placards, panneaux anti-éclaboussure, et poteaux du colombage mural à l'arrière. Vérifier le respect de la distance minimale entre le bord avant du plan de travail et le bord avant de la table de cuisson. La distance minimale de séparation horizontale entre les placards muraux est identique à la largeur du système d'extraction installé.
- Assurer l'étanchéité au niveau de chaque ouverture découpée dans le plafond ou le mur pour l'installation du système d'extraction par le bas.
- On doit disposer d'une prise de courant électrique reliée à la terre. Voir la section "Spécifications électriques".
- Pour l'installation du conduit d'aspiration par le bas, il sera nécessaire d'enlever le tiroir du placard et d'installer à demeure une façade de tiroir sur le placard.

Configuration du placard:

Le système d'extraction par le bas est conçu pour une utilisation dans un placard de profondeur 24" (61 cm). Certaines installations nécessitent un plan de travail de largeur supérieure à 25" (63,5 cm). Voir le tableau de dimensions de découpage pour plan de travail. La profondeur maximale du placard mural est de 13" (33 cm). Les placards muraux installés à côté du système d'extraction par le bas doivent se trouver à 18" (45,7 cm) au-dessus de la surface de cuisson.

Installation dans une résidence mobile

L'installation de ce système d'extraction par le bas doit satisfaire aux exigences de la norme Manufactured Home Construction Safety Standards, Titre 24 CFR, partie 328 (anciennement Federal Standard for Mobile Home Construction and Safety, titre 24, HUD, partie 280); lorsque cette norme n'est pas applicable, l'installation doit satisfaire aux critères de la plus récente édition de la norme Manufactured Home Installation 1982 (Manufactured Home Sites, Communities and Setups) ANSI A225.1/NFPA 501A, ou des codes locaux.

Outils et pièces

Enlever l'emballage

ATTENTION

Enlever délicatement le carton, Porter des gants pour se protéger des bords coupants.

AVERTISSEMENT

Enlever le film de protection recouvrant le produit avant de commencer l'opération.

Pièces fournies

- Système de ventilation rétractable avec moteur déjà installé
- Filtres à graisse
- 2 - Pieds de soutien inférieurs
- 2 - Embouts
- Raccord de transition 6" de diamètre, avec clapet
- Clapet anti-reflux rectangulaire de 3 1/4"x10"
- Métal garniture supérieure
- Ensemble de commande
- Sac de matériel avec:
 - Guide et l'utilisation d'installation
 - 1 - Tube de fil rétractable
 - 2 - Attaches en plastique
 - 2 - Brides de montage
 - 4 - Clips en plastique
 - 7 - Clips adhésifs
 - 8 - 4 x 8 mm vis de installation
 - 11 - 4.5 x 13 mm vis de installation
 - 3 - 3.5 x 9.5 mm vis de installation

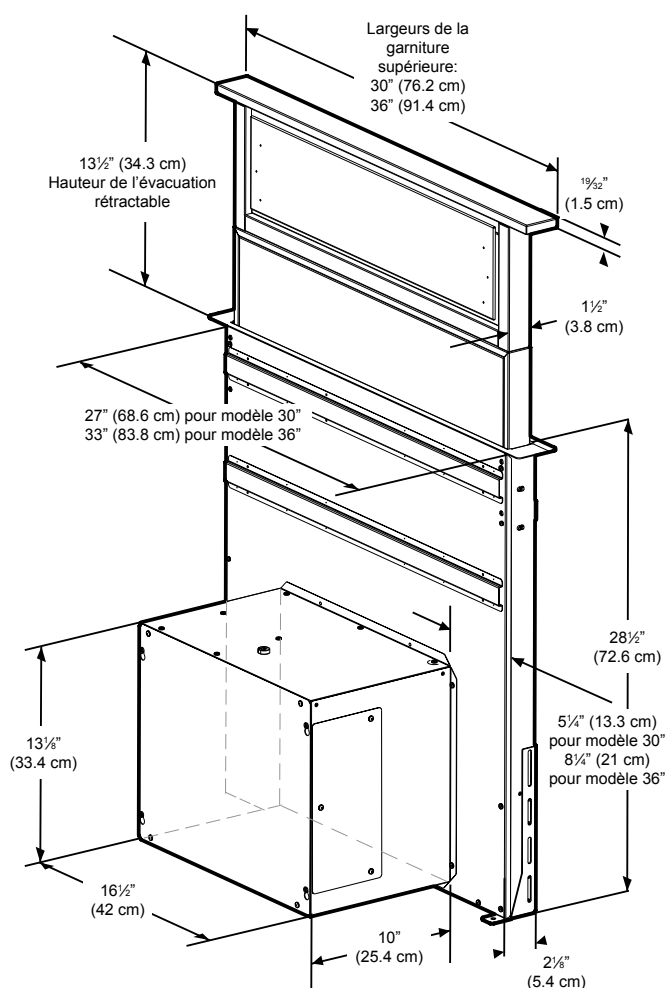
Pièces nécessaires

- Câble d'alimentation électrique du domicile
- Connecteur de conduit (homologation UL ou CSA) de 1/2" (12,7 mm)
- 3 connecteurs de fils homologués UL
- Bouche de décharge murale ou à travers le toit avec clapet correspondant au système d'évacuation
- Conduit d'évacuation de 6" ou rectangulaire 3 1/4"x10"

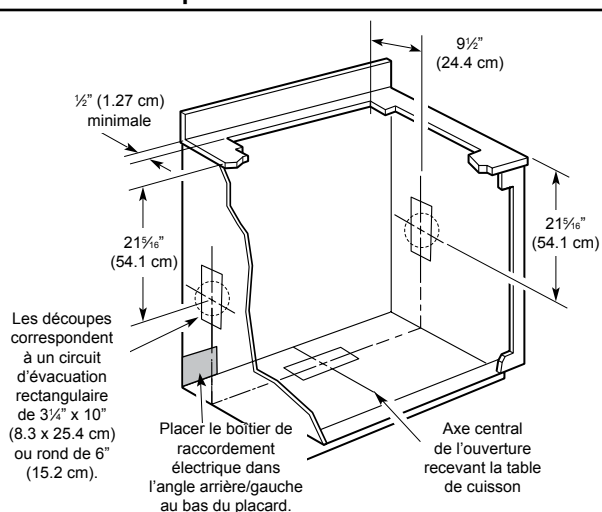
Outils nécessaires

- Niveau
- Perceuse et forets de 1/4" (3.2 cm), 1/8" (3.2 mm), et 5/16" (7.9 mm) pour avant trous
- Crayon
- Pince à dénuder ou couteau utilitaire
- Mètre-ruban ou règle
- Pince
- Pistolet à calfeutrage et composé de calfeutrage résistant aux intempéries
- Cisaille de ferblantier
- Scie sauteuse ou scie à guichet
- Tournevis à lame plate
- Tournevis Phillips

Dimensions du produit



Dimensions du placard



REMARQUES:

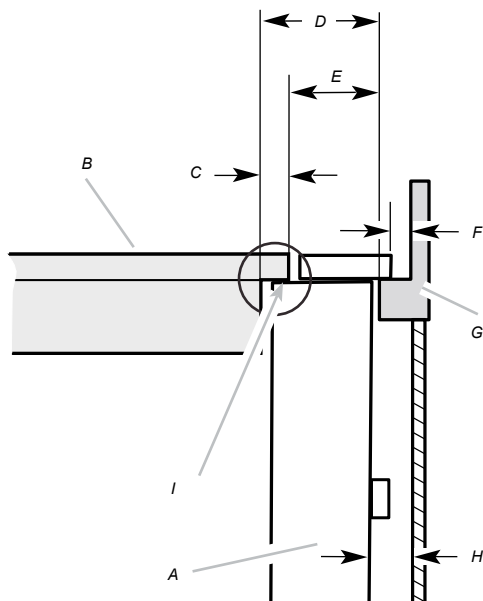
- Pour les dimensions de l'ouverture recevant la table de cuisson, voir les instructions du fabricant de la table de cuisson (profondeur et largeur).
- Pour les ouvertures découpées pour le circuit d'évacuation, utiliser les dimensions applicables à la situation d'installation.
- Circuits d'évacuation avec ventilateur monté à l'intérieur et raccordé au conduit d'évacuation rectangulaire de 3 1/4" x 10" (8,3 x 25,4 cm) ou circulaire de 6" (15,2 cm). Pour cette configuration, l'emplacement des ouvertures à découper dépend de la configuration d'installation spécifique.

Dimensions des ouvertures à découper

IMPORTANT: Les plans de travail avec rebord avant arrondi ne sont pas recommandés pour ces installations. Certains modèles nécessitent un plan de travail de plus de 25" (63,5 cm); voir le tableau des dimensions de l'ouverture du plan de travail. Pour éviter une erreur, avant de découper une ouverture, tracer le périmètre de la table de cuisson et des ouvertures à découper sur le plan de travail.

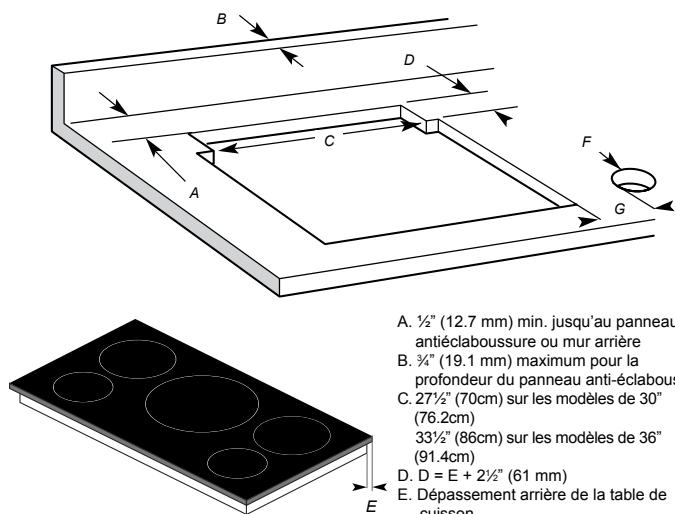
Pour les dimensions des ouvertures, la position des ouvertures et le détail des installations, voir les instructions d'installation de la table de cuisson.

REMARQUE: Pour éviter d'éventuels problèmes de sifflets pour la filtration de l'air, il est recommandé de garder au minimum la distance entre la table de cuisson et la hotte de ventilation (J). Il est recommandé une application de scellant dans ce domaine.



- A. Système d'extraction par le bas
 B. Table de cuisson
 C. Dimension du dépassement arrière de la table de cuisson.
 D. D = Dimension du dépassement arrière de la table de cuisson (C) + 2 1/2" [61 mm] (E)
 E. 2 1/2" (61 mm)
 F. 1/4" (6.4 mm) minimum
 G. Plan de travail et panneau anti-éclaboussure
 H. 1/2" (12.7 mm) minimum
 I. Seal la table de cuisson / downdraft conjointe

Tableau des dimensions de l'ouverture



- A. 1/2" (12.7 mm) min. jusqu'au panneau anti-éclaboussure ou mur arrière
 B. 3/4" (19.1 mm) maximum pour la profondeur du panneau anti-éclaboussure
 C. 27 1/2" (70cm) sur les modèles de 30" (76.2cm)
 33 1/2" (86cm) sur les modèles de 36" (91.4cm)
 D. D = E + 2 1/2" (61 mm)
 E. Dépassement arrière de la table de cuisson
 F. Ø 2 5/16" (6.5 cm). La commande peut être installé dans les deux côtés gauche ou à droite.
 G. Distance à la table de cuisson:
 Minimale 4" (10 cm)
 Maximale 8" (20 cm)

Exigences concernant l'évacuation

IMPORTANT : Avant d'effectuer des coupes, s'assurer qu'il y a un dégagement convenable dans le mur ou le plancher pour le système d'extraction.

- Utiliser un conduit métallique rigide.
- Le système doit décharger l'air à l'extérieur.
- Ne pas terminer le système d'extraction dans un grenier ou dans un autre espace fermé.
- Ne pas utiliser une bouche de décharge murale de 4" (10,2 cm) normalement utilisée pour un équipement de buanderie.
- Ne pas connecter 2 coudes ensemble.
- Ne pas utiliser un conduit de plastique ou en métal flexible.
- La longueur du système d'évacuation et le nombre de coudes doivent être réduits au minimum pour l'obtention de la meilleure performance.
- Ne pas utiliser plus de trois coudes à 90°.
- Veiller à incorporer une section de conduit rectiligne d'au moins 24" (61 cm) entre deux raccords coudés adjacents.
- Au niveau de chaque jointure du système d'extraction, assurer l'étanchéité avec les brides de serrage pour conduit.
- Autour de la bouche de décharge murale ou par le plancher à l'extérieur, assurer l'étanchéité avec un produit de calfeutrage.
- Ne pas couper une solive ou un poteau du colombage. Si le point de passage d'un système d'extraction correspond à la position d'un poteau du colombage ou d'une solive, on doit réaliser une structure de support appropriée.
- On déconseille l'emploi d'un conduit en métal flexible. Si un conduit de ce type doit être utilisé, on doit tenir compte du fait que chaque pied de conduit flexible compte comme 2 pi (0,6 m) de conduit rigide métallique.
- Un raccord coudé flexible compte comme deux raccords coudé standard.

Longueur recommandée pour le système d'extraction :

Pour une configuration avec ventilateur monté à l'intérieur ou monté à l'extérieur, la longueur du système d'extraction ne doit pas être supérieure à la valeur maximum indiquée au tableau Longueur maximum du système d'extraction. Voir "Calcul de la longueur du système d'extraction" à la section "Méthodes d'extraction" des Instructions d'installation.

Installations dans les régions au climat froid

On doit installer un clapet anti-retour supplémentaire à l'arrière pour minimiser le reflux d'air froid et incorporer un élément d'isolation thermique pour minimiser la conduction de chaleur par l'intermédiaire du conduit d'évacuation, de l'intérieur de la maison à l'extérieur. Le clapet anti-retour doit être placé du côté air froid de la résistance thermique. L'élément d'isolation thermique doit être aussi proche que possible de l'endroit où le circuit d'évacuation s'introduit dans la partie chauffée de la maison.

Air d'appoint

Le code du bâtiment local peut exiger l'emploi d'un système d'appoint d'air lors de l'emploi d'un ventilateur d'extraction dont la capacité d'aspiration est supérieure à un débit (pieds cubes par minute) spécifié. Le débit spécifié en pieds cubes par minute varie d'une juridiction à l'autre. Consulter un professionnel des installations de chauffage ventilation/climatisation au sujet des exigences spécifiques applicables dans la juridiction locale.

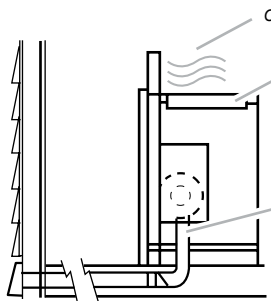
Instructions d'installation

Méthodes d'évacuation

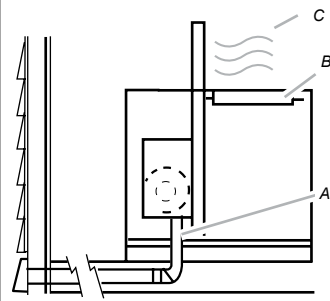
Déterminer la méthode d'évacuation la plus appropriée. La sortie à l'extérieur du circuit d'évacuation peut se faire à travers le plancher ou à travers un mur.

Configuration en îlot

Ventilateur monté à l'avant (standard)

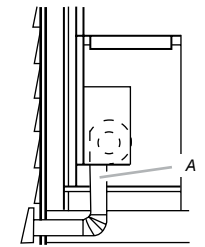


Ventilateur monté à l'arrière

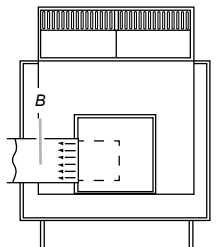


A. Évacuation vers le bas
B. Table de cuisson
C. Aspiration plate

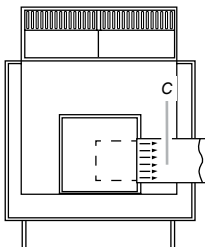
Configuration en meuble intégré



A. Évacuation vers le bas



B. Évacuation à gauche

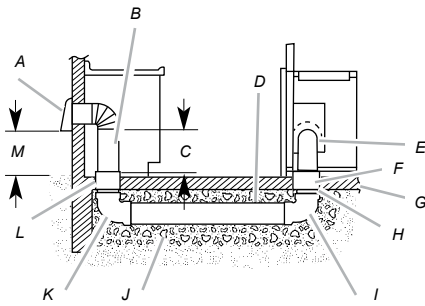


C. Évacuation à droit

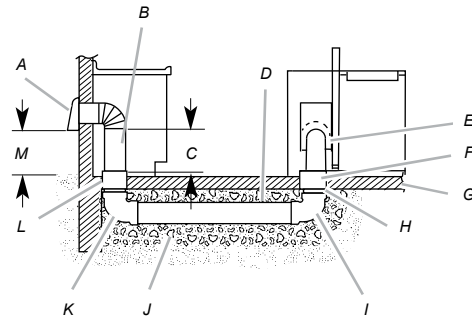
Configuration en îlot

Circuit d'évacuation installé sous une dalle de béton (utilisation de conduit de PVC pour égout).

Ventilateur monté à l'avant (standard)



Ventilateur monté à l'arrière



A. Bouche de décharge murale
B. Conduit métallique rond de dia. 6" (15.2 cm)
C. 16" (40.6 cm) maximum
D. Conduit PVC dia. 6" (15.2 cm)
E. Raccord de transition métallique de dia. 6" (15.2 cm) avec clapet (fourni)
F. Raccord PVC de dia. 6" (15.2 cm)
G. Dalle de béton
H. Conduit PVC pour égout de dia. 6" (15.2 cm)
I. Coude à 90° en PVC pour égout de dia. 6" (15.2 cm)
J. Gravier ou sable compacté tout autour du tuyau
K. Raccord coudé 90° PVC dia. 6" (15.2 cm)
L. Raccord PVC de dia. 6" (15.2 cm)
M. 12" (30.5 cm) minimum

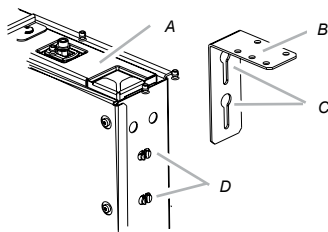
Installation du système de ventilation rétractable

AVERTISSEMENT

Risque du poids excessif. Utiliser deux ou plus de personnes pour déplacer et installer le système d'extraction.

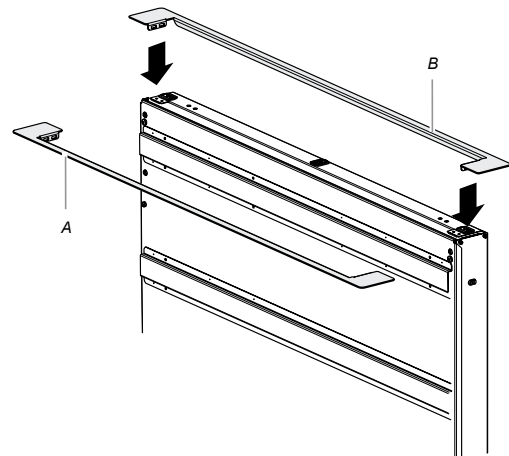
Le non-respect de cette instruction peut causer une blessure au dos ou d'autre blessure.

1. Placer une feuille de carton ou matériau similaire sur une surface plane, où on pourra facilement assembler le système d'extraction par le bas.
2. Déballez les ensembles de pièces, le système d'extraction par le bas et le ventilateur.
3. Enlever tous les matériaux d'emballage, ruban adhésif et film protégeant l'appareil et le ventilateur.
4. Installer sur la caisse du système d'extraction les équerres droite et gauche de montage sous le plan de travail. Insérer les encoches en trou de serrure dans les languettes guides et pousser les équerres vers le haut pour les fixer.



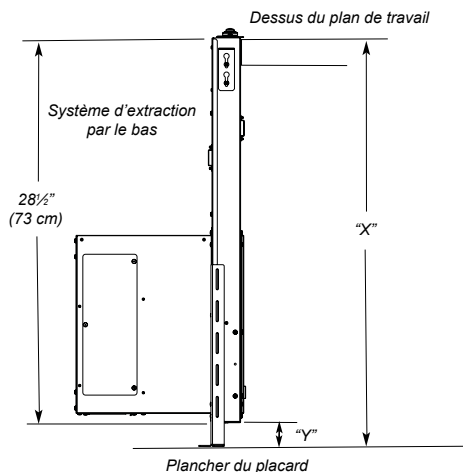
A. Caisse du système d'extraction
B. Équerre de montage sous le plan de travail
C. Encoches en trou de serrure
D. Languettes guides

5. Fixer l'embout sur la caisse du système d'extraction, en fonction de la position que vous choisissez: standard (A) OU réversible (B). Placer la languette dans la rainure de montage à chaque extrémité de la caisse du système d'extraction tel qu'illustré ci-dessous et l'emboîter en la poussant vers le bas.

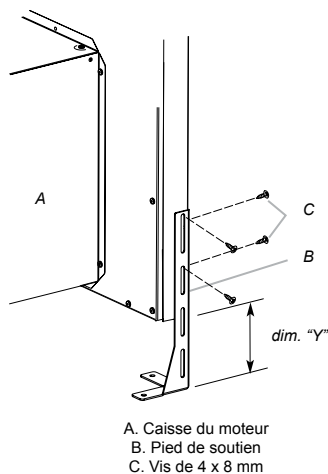


A. Languette de l'embout standard
B. Languette de l'embout réversible
REMARQUE: Seulement une languette doit être installée A ou B

Mesurer la distance "X" entre le sol et le dessus du plan de travail. Soustraire 28½" de la distance "X" pour déterminer la distance "Y" ($X - 28\frac{1}{2} = Y$).



6. Fixer les pieds de soutien aux côtés de la caisse du système d'extraction avec 4 vis de 4 x 8 mm pour chacun. Les régler à la distance "Y" entre le bas de la caisse du système d'extraction et le bas des pieds de soutien. Serrer les vis.



Déterminer la meilleure orientation de l'évacuation pour l'installation.

Dans le cas d'une installation dans un meuble, l'évacuation du système d'extraction peut se faire par le bas, par le côté gauche ou par le côté droit du meuble.

IMPORTANT: En cas d'utilisation du raccord de transition de 6" (15,2 cm) fourni pour un conduit rond de 6", seule une évacuation par la gauche ou par la droite est recommandée.

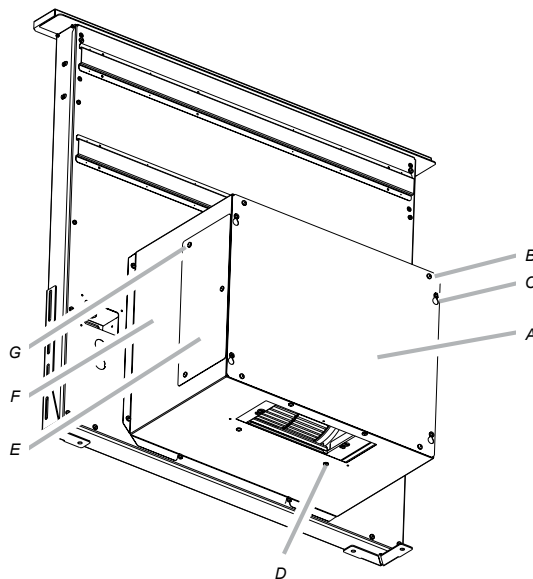
Évacuation par le bas:

REMARQUE: Si le clapet anti-retour est monté vers le bas, une bouche de décharge murale ou à travers le toit équipée d'un clapet est nécessaire à l'extrémité du circuit d'évacuation.

- Le système d'extraction par le bas est livré avec le ventilateur en position pour une évacuation par le bas; par conséquent aucune modification n'est nécessaire.
- S'il n'est pas nécessaire que le ventilateur soit monté à l'arrière, passer à la section "Achever l'installation".
- Pour monter le ventilateur à l'arrière de la caisse du système d'extraction, passer à la section "Montage du ventilateur à l'arrière".

Left or right venting:

1. À deux personnes ou plus, poser l'arrière du système d'extraction par le bas face au sol.
2. Retirer les 4 vis du couvercle monté à l'avant de la caisse du moteur et les mettre de côté.

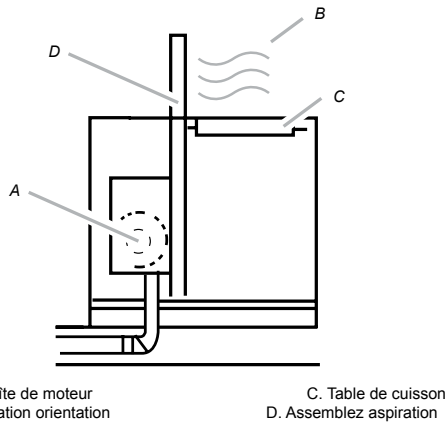


- A. Couvercle
B. Vis du couvercle
C. Vis à épaulement pour encoches en trou de serrure du couvercle
D. Vis de montage du moteur
E. Couvercle de l'évacuation
F. Caisse du moteur
G. Vis du couvercle de l'évacuation

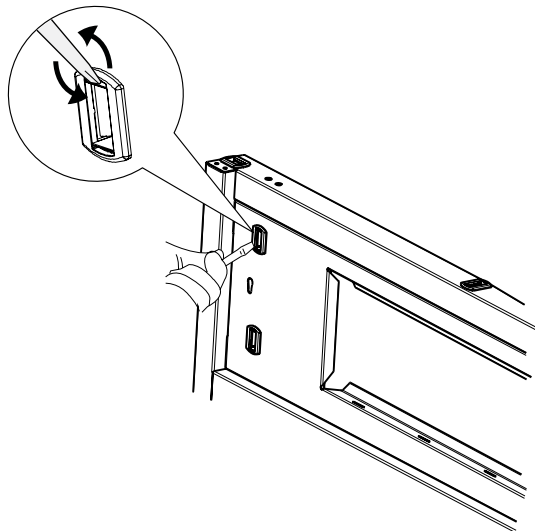
3. Faire glisser le couvercle vers le haut et le sortir des vis à épaulement pour encoches en trou de serrure. Mettre le couvercle de côté.
4. Retirer les 4 vis du bas de la caisse du moteur qui maintiennent le moteur à la caisse.
REMARQUE : Débrancher le câblage électrique du moteur si nécessaire.
5. Retirer les 3 vis et le couvercle de l'évacuation à gauche ou à droite de la caisse du moteur, en fonction de l'orientation à utiliser pour l'évacuation.
6. Faire pivoter le moteur du ventilateur de 90° à droite ou à gauche selon l'orientation d'évacuation choisie et le fixer à la caisse du moteur avec les vis de montage du moteur retirées précédemment. Ne pas tordre ou plier le câblage.
7. Fixer le couvercle de l'évacuation sur l'ouverture rectangulaire au bas de la caisse du moteur à l'aide des vis correspondantes.
REMARQUE: Rebrancher le câblage électrique du moteur s'il a été retiré.
8. Remonter le couvercle de la caisse du moteur à l'aide des 4 vis précédemment retirées.
9. Pour monter le ventilateur à l'arrière de la caisse du système d'extraction, passer à la section "Montage du ventilateur à l'arrière". Sinon, passer à la section "Achever l'installation".

Montage arrière (mode réversible)

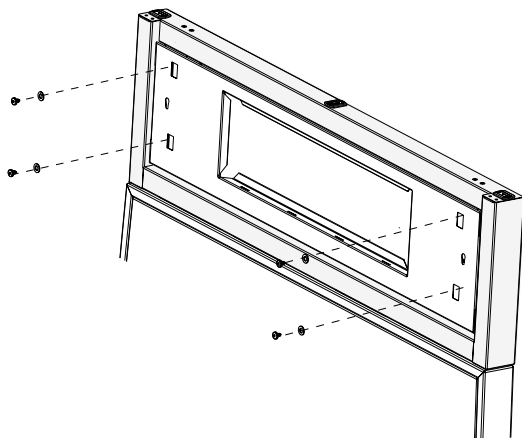
Il ya une position de montage optionnelle de la plaque d'aspiration (côté opposé) pour les emplacements du île. L'ensemble d'aspiration (plaque métallique, filtres), peut être déplacé vers le côté opposé (arrière) de la hotte.



1. Déplacer la plaque d'aspiration et les filtres à graisse et les mettre de côté. (Voir la section de nettoyage).
2. Avec l'aide d'un tournevis à tête plate, prendre les clips en plastique du plaque d'aspiration.

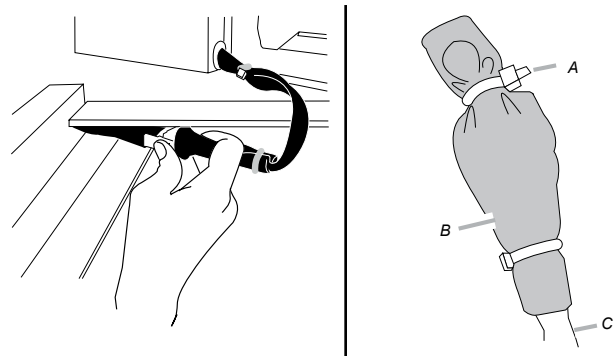


3. Une fois que les clips ont été retirés de l'ensemble de l'aspiration, la retraite les vis et la rondelle comme indiqué l'image ci-dessous. Mettez les vis de côté.



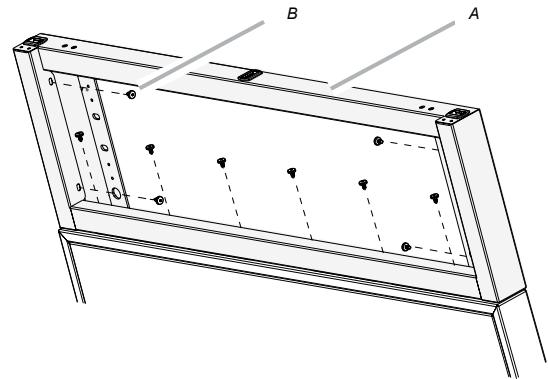
4. Débranchez le raccordement électrique de l'ensemble de l'aspiration, et retirez le de la hotte.

REMARQUE: Une fois que vous avez débrancher le connecteur, couvrir avec le tube de fil rétractable et les attaches en plastique comme le montre l'image ci-dessous. Découvrez le connecteur opposé.



A. Clip plastique de fil
B. Tube de fil rétractable
C. Connexion d'assemblage d'aspiration

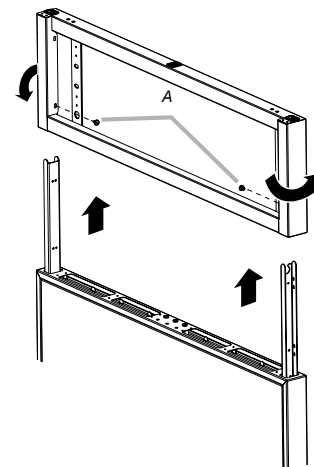
5. Retirer les vis de montage de la structure d'aspiration comme indiqué l'image ci-dessous.



A. Structure d'aspiration
B. Vis d'installation

6. Soulevez la structure et tourner le de l'autre côté et fixer le avec mêmes vis retirées précédemment.

REMARQUE: Afin d'aligner correctement la structure, commencer l'installation les vis indiquées dans le dessin.



A. Vis d'installation

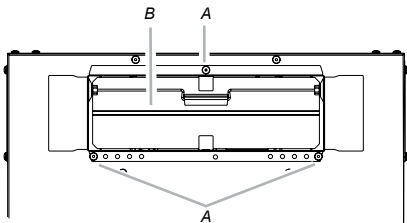
7. Branchez le connexion électrique et le mettre en place.
8. Remettre les vis et rondelles métalliques dans l'ensemble de l'aspiration. Insérez les clips en plastique.
9. Relocaliser les filtres à graisse et la plaque d'aspiration.

Achever l'installation

REMARQUE: Le système d'extraction par le bas est livré avec un clapet anti-retour de 3¼" x 10" (8,3 x 25,4 cm) et un raccord de transition pour conduit rond de 6" (15,2 cm) avec clapet. Se reporter à la section "Clapet anti-retour de 3¼" x 10" (8,3 x 25,4 cm)" ou "Raccord de transition pour conduit rond de 6" (15,2 cm) avec clapet", selon le type de circuit d'évacuation utilisé.

Clapet anti-retour de 3¼" x 10" (8,3 x 25,4 cm)

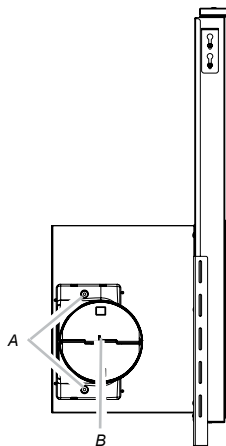
1. Fixer le clapet anti-retour de 3¼" x 10" (8,3 x 25,4 cm) à l'ouverture d'évacuation de la caisse du ventilateur à l'aide de trois vis de 3,5 x 9,5 mm.



A. Vis de 3,5 x 9,5 mm
B. Clapet anti-retour de 3¼" x 10" (8,3 x 25,4 cm)

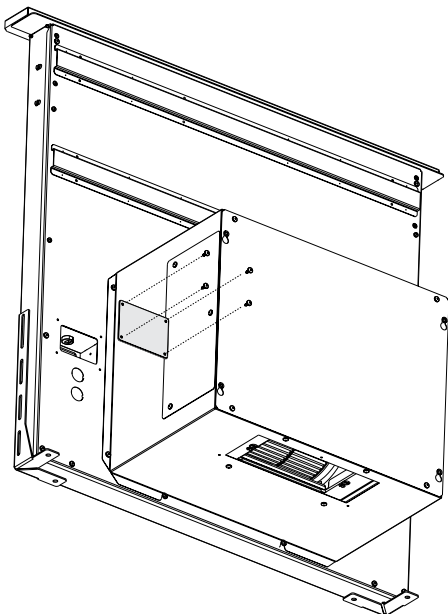
Raccord de transition rond de 6" (15,2 cm) avec clapet

2. Fixer le raccord de transition rond de 6" (15,2 cm) à l'ouverture d'évacuation (seule une évacuation par le côté droit ou gauche est recommandée) à l'aide de deux vis de 3,5 x 9,5 mm.

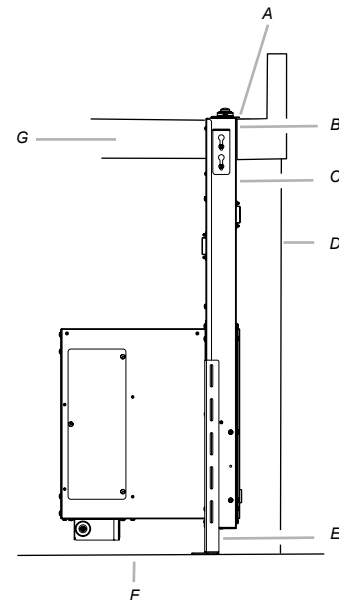


A. Vis de 3,5 x 9,5 mm
B. Raccord de transition rond de 6" (15,2 cm) avec clapet

3. Ôter les 4 vis du couvercle du boîtier de connexion.
4. Déterminer par quel côté (avant ou arrière) le câble d'alimentation domestique entre dans le boîtier de connexion. Ôter l'opercule approprié du panneau avant ou arrière et installer un connecteur de conduit de ½" (12,7 mm) homologué UL ou CSA.



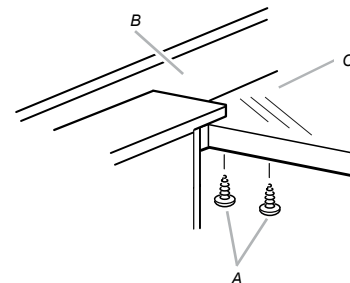
5. À 2 personnes ou plus, insérer le système d'extraction par le bas dans l'ouverture découpée dans le plan de travail. Centrer le système d'extraction par le bas dans la découpe, son rebord arrière par-dessus l'arrête de la découpe et l'arrière contre la tranche de la découpe.



A. Rebord arrière du système d'extraction par le bas
B. Tranche de la découpe du plan de travail
C. Arrière du système d'extraction par le bas
D. Arrière du meuble
E. Pied de soutien
F. Plancher du meuble
G. Plan de travail

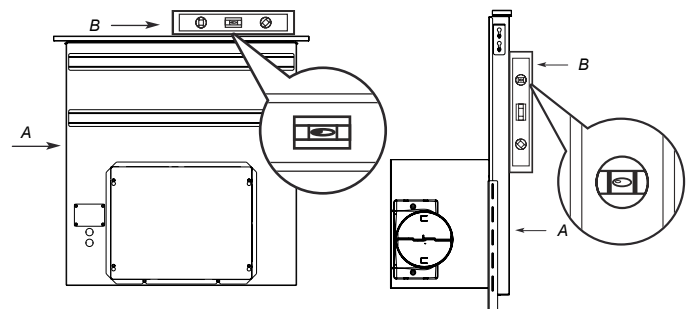
6. Percer 2 avant-trous à travers les équerres de fixation sous le plan de travail, dans la face inférieure du plan de travail. Avec 2 vis du 4.5 x 13 mm screws, mont the brackets to the countertop.

IMPORTANT: Choisir des vis d'une longueur adéquate pour ne pas traverser le plan de travail au serrage.



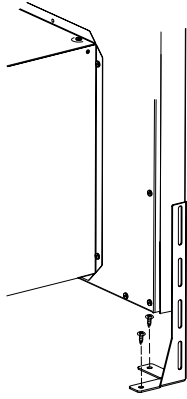
A. Vis
B. Backsplash
C. Table de cuisson

7. Établir l'aplomb vertical de l'appareil. Desserrer les vis des pieds de soutien et régler les pieds de soutien en appui sur le plancher du meuble.



A. Downdraft
B. Level

- Fixer les pieds de soutien de l'appareil sur le plancher du meuble avec des vis (non fournies).

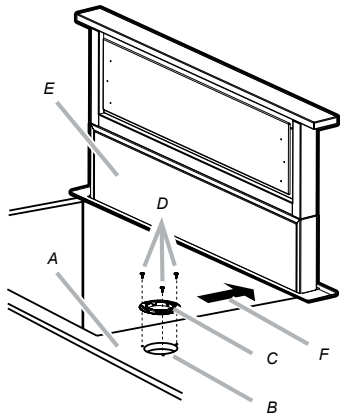


- Serrer les vis des pieds de soutien.

Installation de commande

- Avant l'installation de commande, assurez-vous que vous avez fait le découpage de procédé.
- Placez la base de contrôle sur place et marquer les trous avec un crayon.
- Percer sur les emplacements marqués.
- Place the control base on the countertop and drive 3 - 4.5 x 13 mm installation screws.

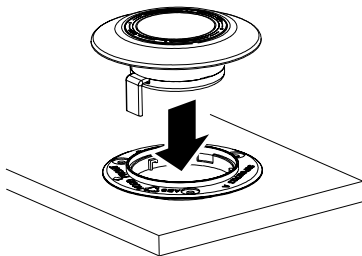
REMARQUE: Le légende "Front" est écrite sur la base de contrôle. Cette légende doit toujours être orienté vers l'avant de la hotte (F).



A. Table de cuisson
B. Contrôle découpe

D. Vis d'installation
E. L'avant de la hotte
F. Installation de base de contrôle

- Faire passer le câble de commande à travers le trou.
- Poussez l'ensemble de commande vers la base de contrôle.



Raccordements électriques

AVERTISSEMENT

Risque de choc électrique

Déconnecter la source de courant électrique avant l'entretien.
Replacer pièces et panneaux avant de faire la remise en marche.
Le non-respect de ces instructions peut causer un décès ou un choc électrique.

- Déconnecter la source de courant électrique.
- Faire passer le câble d'alimentation à travers le connecteur de conduit et dans le boîtier de connexion.

AVERTISSEMENT

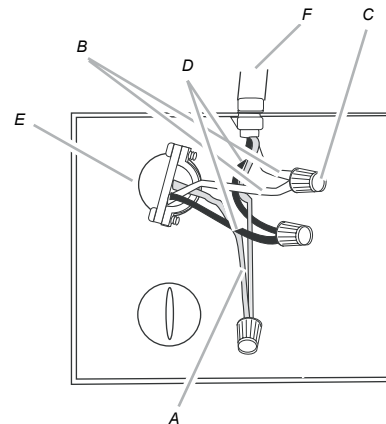
Risque de choc électrique

Relier le ventilateur à la terre.

Brancher le fil relié à la terre au fil vert et jaune relié à la terre dans la boîte de la borne.

Le non-respect de ces instructions peut causer un décès ou un choc électrique.

- Connecter le conducteur de terre vert (ou vert/jaune) au conducteur de terre vert ou jaune/vert à l'aide de connecteurs de fils homologués UL. Serrer la vis sur le connecteur de conduit.
- Raccorder les 2 conducteurs blancs avec les connecteurs de fils (homologation UL).

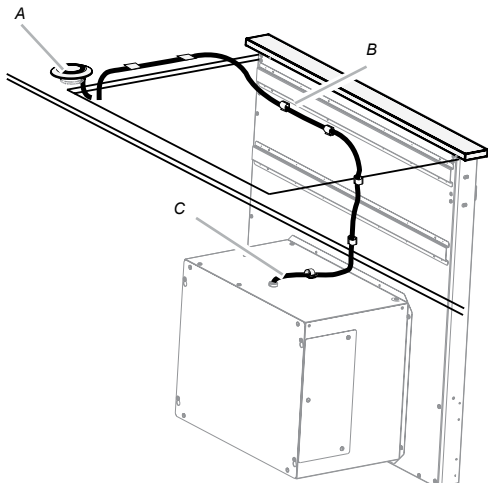


A. Conducteur de terre vert ou vert et jaune
B. Conducteurs blancs
C. Connecteurs de fils (homologation UL)
D. Conducteurs noirs
E. Connecteur de conduit (homologation UL ou CSA)
F. Câblage du système d'extraction par le bas

- Raccorder les 2 conducteurs noirs avec des connecteurs de fils (homologation UL).
- Réinstaller le couvercle du boîtier de connexion et le fixer avec la vis.
- Reconnecter la source de courant électrique.

Conexion de contrôle

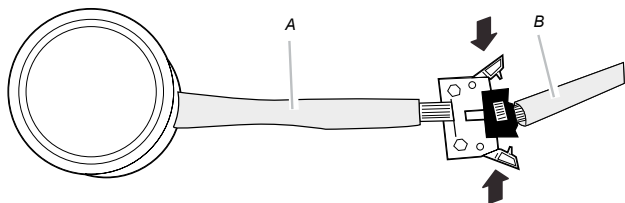
1. Passer le câble de commande de la boîte de moteur à l'emplacement de la ensemble de commande (voir l'image ci-dessous).



A. Contrôle
B. Clips adhésifs
C. Fil de connexion de contrôle

AVERTISSEMENT: Il est recommandé de guider le fil de connexion au plus près que possible de la boîte de moteur, en évitant de tirer le fil lâche. Utilisez les clips métalliques adhésifs fournis.

2. Branchez les deux connecteurs.

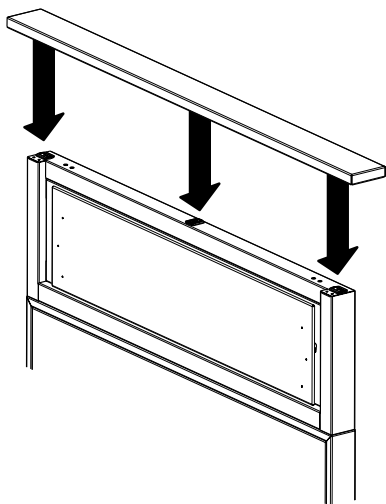


A. Cable de contrôle
B. Cable de boîte de moteur

3. Vérifier le fonctionnement.

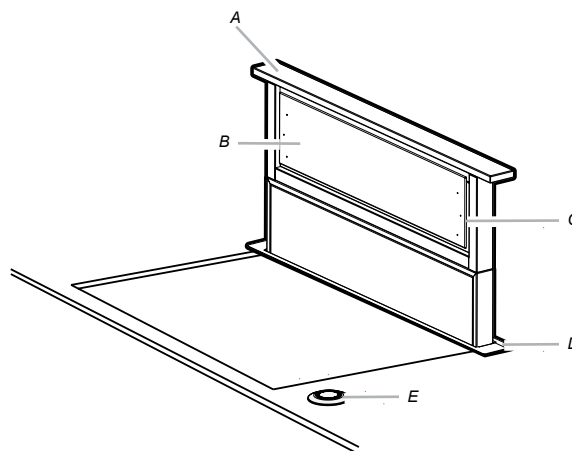
Installation du capot supérieur

1. Presse le couvercle supérieur contre la partie supérieure de la hotte. Les pins des garnitures haut doivent entrer dans les clips en plastique.



Contrôle du fonctionnement

1. Appuyer pendant quelques secondes sur le bouton au sommet du système d'extraction par le bas. La partie rétractable du système d'extraction par le bas se lève, et le ventilateur se met en marche. Positionner la garniture supérieure sur la section rétractable; emboîter la garniture en place.



A. Couvercle supérieur
B. Plato d'aspiration
C. Filtres à graisse
D. Couverture d'installation
E. Contrôle

2. Si le ventilateur ne fonctionne pas:
 - Vérifiez que la plaque d'aspiration est bien situé
 - Vérifier si le disjoncteur s'est déclenché ou si un fusible est grillé.
3. Connecter le circuit d'évacuation au ventilateur. Le circuit d'évacuation doit se terminer par une bouche de décharge (à travers le mur ou le toit). Utiliser du ruban adhésif ou des brides pour assurer l'étanchéité de tous les raccords.
4. Installer la table de cuisson conformément aux instructions du fabricant.

Utilisation du système d'extraction

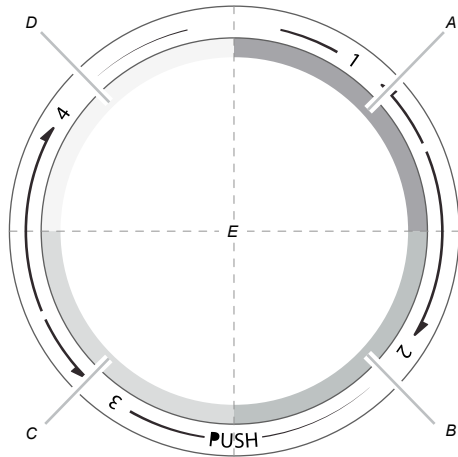
Le système d'extraction par le bas rétractable sert à éliminer la fumée, les vapeurs de cuisson et les odeurs issues de la table de cuisson.

- Pour de meilleurs résultats, le système d'extraction doit être en marche avant d'entreprendre une cuisson.
- Lors de l'emploi d'un récipient de grande taille, le placer sur le grand brûleur ou élément chauffant à l'arrière.
- Lorsque le système d'extraction par le bas fonctionne, il peut être nécessaire d'employer une puissance de chauffage plus élevée.
- Pour les tables de cuisson à gaz, le système d'extraction rétractable pourrait affecter la stabilité de la flamme et les performances de cuisson. Pour améliorer les performances du brûleur, augmenter la vitesse du système d'extraction rétractable ou augmenter le réglage de la flamme du brûleur de la table de cuisson.
- Pour les tables de cuisson à gaz dotées du système de rallumage par détection de flamme, le système d'extraction rétractable pourrait disperser la flamme et l'éloigner de l'allumeur à étincelles, ce qui pourrait pousser ce dernier à jeter des étincelles continuellement afin d'essayer de rallumer un brûleur qui est déjà allumé. Pour résoudre le problème de l'allumeur à étincelles qui jette des étincelles continuellement, diminuer la vitesse du système d'extraction rétractable ou augmenter le réglage de la flamme de la table de cuisson pour ce brûleur.

Utilisation du système d'extraction par le bas

Utiliser la puissance d'aspiration maximum en cas de concentration très importante des vapeurs de cuisson. Nous conseillons d'allumer la hotte 5 minutes avant de commencer la cuisson et de la faire fonctionner encore pendant 15 minutes environ après avoir terminé la cuisson.

Le panneau de contrôle est constitué par un disque rotatif rétro-éclairé.



Pour élever le système d'extraction:

Appuyez sur le disque (E) 2 secondes pour élever le système de aspiration

Appuyez sur le disque (E) 2 secondes pour cacher le système de aspiration

REMARQUE: Si vous appuyez sur le disque pour cacher le système aspiration pendant qu'elle fonctionne, l'appareil se éteint automatiquement.

Pour sélectionner les vitesses d'aspiration disponibles:

Tourner le disque (T) dans le sens horaire pour activer et augmenter la vitesse d'aspiration et de sens antihoraire pour la diminuer, et éteindre la hotte.

La couronne (L) s'allume pour indiquer la vitesse d'aspiration choisie:

A lit

Vitesse 1 (minimum).

A + B lit

vitesse 2 (medium).

A + B + C lit

Vitesse 3 (maximum).

A + B + C + D lit

Vitesse 4 (intensive), durée 5 minutes, après la hotte est placé automatiquement à la vitesse 2

A éteint:

Moteur d'aspiration arrêté

A + B + C + D allumés en mode clignotant

La couronne de lumière clignote après 40 heures de travail. Cela indique que les filtres à graisse doivent être retirés et nettoyés.

Cette fonction doit être remis à zéro en appuyant sur le bouton pendant 5 secondes.

Entretien du système d'évacuation

Surface du système d'extraction par le bas

Pour éviter d'endommager la finition, nettoyer les surfaces avec de l'eau savonneuse. Ne pas utiliser une solution de récurage ou un produit abrasif.

Surfaces externes:

Afin d'éviter d'endommager la surface externe, ne pas utiliser de tampons en laine d'acier ou de tampons à récurer savonneux. Toujours essuyer pour éviter de laisser des marques d'eau.

Méthode de nettoyage:

- Savon détergent liquide et eau, ou produit de nettoyage polyvalent.
- Frotter avec un chiffon doux humide ou une éponge non abrasive, puis rincer avec de l'eau propre et essuyer.

Filters

Enlever et nettoyer fréquemment le(s) filtre(s) et le plate d'aspiration de la section rétractable du système d'extraction par le bas. Ceci optimisera l'efficacité de fonctionnement.

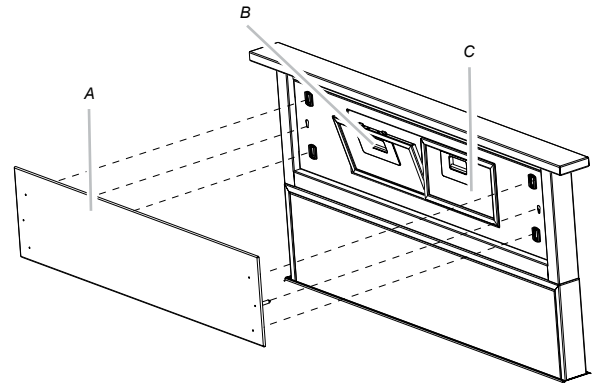
1. Retirer chaque filtre en tirant sur la poignée à ressort puis en tirant le filtre vers le bas.
2. Laver le(s) filtre(s) métallique(s) selon le besoin au lave-vaisselle ou avec une solution de détergent chaude.
3. Réinstaller le filtre en s'assurant que les poignées à ressort sont orientées vers l'avant. Insérer le filtre à graisse métallique dans la rainure supérieure.
4. Tirer vers le bas sur la poignée à ressort.
5. Pousser le filtre métallique vers le haut et relâcher la poignée pour l'emboîter.
6. Répéter les étapes 1 à 5 pour l'autre filtre.

Nettoyage:

1. Nettoyer le(s) filtre(s) et le plate d'aspiration au lave-vaisselle ou dans une solution de détergent chaude. Le système d'extraction par le bas ne fonctionne pas lorsque les filtres ne sont pas installés.
2. Faire sécher complètement le plate d'aspiration avant de réinstaller.

Réinstallation des filtres :

1. Placer le plate d'aspiration.
2. Placer les filtres.



A. Plate d'aspiration
B. Poignée du filtre à graisse
C. Filtre à graisse

REMARQUE: Le système d'extraction par le bas ne fonctionnera pas si le plate d'aspiration ne sont pas correctement installés. Si les onglets supérieurs du plate d'aspiration ne sont pas fixés derrière le rebord arrière, le conduit pourra se rétracter mais pas se redresser.

Si le système d'extraction par le bas ne fonctionne pas après l'installation du plate d'aspiration :

Pousser le plate aussi loin que possible. Lorsqu'on enlève le plate, ceci désactive le contacteur placé derrière le filtre. Cette fonction empêche le système d'extraction de fonctionner tant que le plate n'a pas été correctement réinstallé.

Dépannage

PROBLÈME	CAUSES ET/OU SOLUTIONS POSSIBLES
Rien ne fonctionne	<p>Un fusible est-il grillé ou le disjoncteur s'est-il ouvert? Remplacer le fusible ou réenclencher le disjoncteur. Si le problème persiste, appeler un électricien.</p> <p>Le plate d'aspiration est bien placé dans la chambre de distribution? Vérifier que le plate d'aspiration est correctement placé sur les contacts de filtre.</p> <p>Le disque de contrôle est-il resté enfoncé pendant au moins 2 secondes? Maintenir enfoncé le disque de contrôle au moins 2 secondes pour terminer le cycle requis pour commencer le repli.</p>
Le système d'extraction ne se replie pas.	<p>Le plate d'aspiration est placé dans le système d'extraction par le bas? Le microcontact placé derrière le filtre se désactive lorsque le plate d'aspiration est enlevé. Cette fonction empêche le système d'extraction de fonctionner tant que le plate d'aspiration n'a pas été correctement réinstallé.</p> <p>Le plate d'aspiration est bien installés? Pousser le plus possible le plate d'aspiration vers l'intérieur pour activer le microcontact situé derrière le filtre.</p> <p>Le disque de contrôle est-il resté enfoncé pendant au moins 2 secondes? Maintenir enfoncé le disque de contrôle au moins 2 secondes pour terminer le cycle requis pour commencer le repli.</p> <p>Le système d'extraction est-il bien fixé? Vérifier que la hotte à ventilation est d'aplomb et droite. Vérifier qu'elle est bien fixée au plancher et au comptoir.</p>
Système d'extraction partiellement déployé	<p>Quelque chose empêche-t-il le système de bouger correctement? Vérifier que la table de cuisson ne nuit pas au mouvement du système d'extraction par le bas</p> <p>Le système d'extraction est-il d'aplomb? Mettre le système d'extraction d'aplomb. Voir la section "Acheter l'installation".</p>
Le ventilateur ne fonctionne pas	<p>Le système d'extraction est-il complètement déployé? Vérifier que le système d'extraction est entièrement déployé.</p> <p>Le plate d'aspiration est bien installés? Pousser le plus possible le plate d'aspiration vers l'intérieur pour activer le microcontact situé derrière le filtre.</p> <p>Le disque de commande est-il toujours à la position fermé? Tourner le disque de commande dans le sens horaire pour activer et augmenter la vitesse d'aspiration et de sens antihoraire pour la diminuer, et éteindre la hotte.</p> <p>Le ventilateur est-il bien installé? Voir la section "Montage arrière (mode réversible)".</p>
Le système d'extraction n'est pas de niveau avec le dessus de comptoir.	<p>Le système d'extraction est-il d'aplomb? Mettre le système d'extraction d'aplomb. Voir la section "Acheter l'installation".</p> <p>Le système d'extraction est-il plus haut d'un côté que de l'autre? Vérifier que les deux pieds de soutien sont de la même longueur à partir du bas du conduit d'évacuation. Voir la section "Installation du système de ventilation rétractable".</p>
Le ventilateur est bruyant	<p>Le ventilateur a-t-il été installé récemment? Produit-il un bruit de grincement? Utiliser un nettoyant pour acier inoxydable pour enlever tout résidu laissé derrière par le film blanc. Vérifier que rien n'entrave le ventilateur.</p> <p>Le bruit est-il produit par le mouvement de l'air? Vérifier que le produit est bien installé dans la section découpée et qu'il n'y a pas d'espace entre les deux.</p>

GARANTIE

ELICA North America

GARANTIE DE DEUX ANS

POUR OBTENIR UN DEPANNAGE SOUS GARANTIE

Le propriétaire doit présenter une preuve de la date d'achat. Garder une copie de votre preuve d'achat datée (ticket de caisse) de façon à pouvoir bénéficier du service après-vente sous garantie.

GARANTIE PIECES DE RECHANGE ET MAIN D'OEUVRE

Pendant une période de deux (2) ans à partir de la date d'achat, Elica s'engage à fournir gratuitement les pièces de rechange ou les composants autres que les recharges ayant des défauts de fabrication.

Durant cette garantie de deux (2) ans, Elica fournira également gratuitement, toute la main d'oeuvre et le service à domicile pour remplacer d'éventuelles pièces défectueuses.

CE QUE LA GARANTIE NE COUVRE PAS

- Dégât ou panne du produit causé par un accident ou un cas de force majeure tels que inondation, incendie ou tremblement de terre.
- Dégât ou panne du produit causé par modification du produit ou utilisation de pièces pas d'origine.
- Dégât ou panne du produit causé lors de la livraison, de la manipulation ou de l'installation.
- Dégât ou panne du produit causé par une mauvaise utilisation.
- Dégât ou panne du produit causé par un remplacement des fusibles ou une remise en fonction des disjoncteurs par le propriétaire.
- Dégât ou panne du produit causé par une utilisation du produit pour raison commerciale.
- Déplacement à domicile pour explication d'utilisation ou d'entretien.
- Ampoules, filtres métalliques ou au charbon et toute autre pièce consommable.
- Usure normale.
- Usure due à une mauvaise utilisation du propriétaire, un entretien incorrect, une utilisation de substances nettoyantes corrosives ou abrasives et produits de nettoyage pour four.

QUI EST COUVERT

Cette garantie s'étend à l'acheteur original de produits achetés pour un usage domestique habituel en Amérique du Nord (Y compris Etats Unis, Guam, Porto Rico, les Iles virgins Américaines & le Canada).

Cette garantie n'est pas transférable et vaut uniquement pour l'acheteur original et ne s'étend pas aux propriétaires successifs du produit. Cette garantie vaut expressément en lieu et place de toute autre garantie, expresse ou sous-entendue, mais ne limite pas toute autre garantie sous-entendue de marchandage ou adaptation dans un but particulier et toute autre obligation de la part de Elica North America, étant entendu, cependant, que si la réclamation pour garanties sous-entendues n'est pas applicable aux yeux de la loi en vigueur, la durée de toute garantie sous-entendue émanant de la loi doit être limitée à deux (2) ans à partir de la date d'achat du produit ou à une période plus longue selon ce que dit la loi en vigueur.

Cette garantie ne couvre pas tout dégât particulier, accidentel et/ou consécutif, ni les pertes et profits, à charge du propriétaire, des ses clients et/ou des utilisateurs Des produits.

QUI CONTACTER

Pour obtenir un service après-vente durant la garantie ou pour toute autre question:

- Elica North America Authorized Service - 888 732 8018
- elica@servicepower.com

Español

Contenido

Aviso de seguridad importante.....	31
Requisitos eléctricos y de instalación.....	32
Lista de Materiales.....	33
Partes suministradas.....	33
Partes necesarias.....	33
Dimensiones del producto.....	33
Dimensiones de corte de la cubierta de cocina.....	34
Requisitos de ventilación.....	34
Instrucciones de Instalación	35
Determine que dirección de salida es la mejor para su instalación.....	36
Montaje inverso del ensamble de aspiración (versión reversible).....	37
Complete la Instalación.....	38
Instalación del control.....	39
Conexión eléctrica.....	39
Verifique el funcionamiento.....	40
Uso de la campana.....	41
Cuidado de la campana.....	41
Solución de problemas	42
Garantía	43

APROBADO PARA APARATOS DE USO DOMÉSTICO

SÓLO PARA USO DOMÉSTICO LEA Y GUARDE ESTAS INSTRUCCIONES

**ANTES DE CONTINUAR, LEA LAS INSTRUCCIONES
POR COMPLETO.**

**LA INSTALACIÓN DEBE CUMPLIR TODA LA NORMA-
TIVA LOCAL.**

IMPORTANTE: Guarde estas instrucciones para su uso por
parte del inspector de electricidad local.

INSTALADOR: Entregue al propietario estas instrucciones junto
con la unidad.

PROPIETARIO: Conserve estas instrucciones para futuras
consultas.

Advertencia de seguridad: antes de realizar el cableado de este
aparato, desactive el circuito de energía
eléctrica en el panel de servicio y desbloquee el panel.

Requisito: Circuito auxiliar de CA de 120 V, 60 Hz, 15 ó 20 A

LEA Y GUARDE ESTAS INSTRUCCIONES

Aviso de seguridad importante

PRECAUCIÓN

SÓLO PARA USO DE VENTILACIÓN GENERAL. NO UTILIZAR PARA EXPULSAR VAPORES O MATERIALES PELIGROSOS O EXPLOSIVOS.

ADVERTENCIA

PARA REDUCIR EL RIESGO DE FUEGO, DESCARGA ELÉCTRICA O LESIONES PERSONALES, RESPETE LO SIGUIENTE:

- A. Utilice esta unidad solamente en el modo que indica el fabricante. En caso de duda, póngase en contacto con el fabricante.
- B. Antes de reparar o limpiar la unidad, desconecte la alimentación en el panel de servicio y bloquee los medios de desconexión del panel de servicio para evitar la conexión accidental de la alimentación. Si no es posible bloquear los medios de desconexión del panel de servicio, coloque un dispositivo de advertencia que destaque como, por ejemplo, una etiqueta, en el panel de servicio.
- C. La instalación y el cableado eléctrico deben realizarlos personas calificadas de acuerdo con las normativas y los estándares aplicables, incluida la construcción ignífuga.
- D. Es necesaria una ventilación suficiente para la correcta combustión y expulsión de gases por la salida de humos (Chimenea) del equipo de combustión de carburante para evitar el contratiro. Siga las directrices de fabricantes de equipos de calefacción y los estándares de seguridad como los publicados por la National Fire Protection Association (NFPA), American Society for Heating, Refrigeration and Air Conditioning Engineers (ASHRAE) y las normativas locales.
- E. Al efectuar orificios en una pared o techo, no dañe el cableado eléctrico y otras instalaciones ocultas.
- F. Los sistemas instalados mediante conducto deben tener ventilación con salida al exterior.

PRECAUCIÓN

Para reducir el riesgo de fuego y conseguir una salida del aire correcta, asegúrese de conducir el aire hacia el exterior. No permita que el aire se expulse en espacios situados en el interior de muros, techos, desvanes, sótanos de pequeña altura o garajes.

ADVERTENCIA

PARA REDUCIR EL RIESGO DE FUEGO, UTILICE SOLAMENTE TUBOS METÁLICOS.

Instale esta campana de acuerdo con los requisitos especificados.

ADVERTENCIA

Para reducir el riesgo de fuego o descarga eléctrica, no utilice esta campana con ningún dispositivo externo en estado sólido para el control de la velocidad.

ADVERTENCIA

PARA REDUCIR EL RIESGO DE INCENDIO OCASIONADO POR GRASA:

- a) No deje nunca ninguna unidad externa desatendida y con valores de fuego altos. La cocción puede causar humo o reboses de grasa que pueden prender fuego. Caliente el aceite a fuego lento o medio.
- b) Encienda siempre la campana cuando cocine a una temperatura alta o cuando realice flameados (Por ejemplo, crepes Suzette, cerezas flameadas, ternera a la pimienta flameada).
- c) Limpie con frecuencia los ventiladores. No permita que la grasa se acumule en el ventilador o filtro.
- d) Utilice un tamaño de sartén adecuado. Utilice siempre piezas de batería de cocina adecuadas al tamaño del elemento de superficie.

ADVERTENCIA

PARA REDUCIR EL RIESGO DE LESIONES PERSONALES, EN CASO DE FUEGO OCASIONADO POR GRASA, TENGA EN CUENTA LO SIGUIENTE^a:

- a) **EXTINGA LAS LLAMAS** con una tapa ajustada, una lámina para hacer galletas u otro tipo de bandeja metálica y apague el quemador de gas o elemento eléctrico. **TENGA CUIDADO PARA EVITAR QUEMADURAS.** Si las llamas no se extinguen inmediatamente, **DESALOJE EL LUGAR Y LLAME A LOS BOMBEROS.**
- b) **NUNCA TOME UNA SARTÉN EN LLAMAS**, podría sufrir quemaduras.
- c) **NO UTILICE AGUA**, incluidas bayetas o toallas húmedas ya que se produciría una violenta explosión de vapor.
- d) Utilice un extintor **SÓLO** si:
 - 1) Sabe que dispone de un extintor de la clase ABC y conoce su funcionamiento.
 - 2) El fuego es pequeño y se encuentra en la misma zona donde se inició.
 - 3) Ha llamado a los bomberos.
 - 4) Puede luchar contra el fuego teniendo una salida a su espalda.

^aBasado en "Consejos de seguridad para fuegos de cocina", publicado por el NFPA (Asociación nacional de protección contra incendios).

FUNCIONAMIENTO

Coloque siempre las rejillas y los filtros de seguridad en su lugar correspondiente. Sin estos componentes, los ventiladores en funcionamiento podrían atrapar su pelo, sus dedos o su ropa.

El fabricante declina toda responsabilidad en caso de fallo de cumplimiento de las instrucciones aquí facilitadas para la instalación, el mantenimiento y el uso adecuado del producto. El fabricante declina además toda responsabilidad por daños ocasionados por negligencia y la garantía de la unidad queda cancelada automáticamente como consecuencia de un mantenimiento incorrecto.

Requisitos eléctricos y de instalación

Requisitos eléctricos

Observe todos los códigos y reglamentos aplicables.

Asegúrese de que la instalación eléctrica sea adecuada y en conformidad con el National Electrical Code (Código Nacional Eléctrico), ANSI/NFPA 70 (última edición) o las normas de CSA C22.1-94, Canadian Electrical Code (Código Canadiense de Electricidad), Parte 1 y C22.2 N° 0-M91 (última edición), y todos los códigos y ordenanzas locales.

Si los códigos lo permiten y se emplea un alambre de conexión a tierra separado, es recomendable que un electricista calificado determine si la trayectoria de conexión a tierra es adecuada. Usted puede obtener una copia de las normas de los códigos arriba indicadas en:

National Fire Protection Association
One Batterymarch Park
Quincy, MA 02269
CSA International
8501 East Pleasant Valley Road
Cleveland, OH 44131-5575

- Se necesita un circuito eléctrico de 120 voltios, 60 hertzios, CA solamente, de 15 amperios y protegido con fusibles.
 - Si la casa tiene cableado de aluminio, siga el procedimiento a continuación:
1. Conecte una sección de alambre de cobre sólido a los conductores flexibles.
 2. Conecte el cableado de aluminio a la sección añadida de alambre de cobre usando conectores especiales y/o herramientas diseñadas y de la lista de UL para unir el cobre al aluminio.

Siga el procedimiento recomendado por el fabricante del conector eléctrico. La conexión de cobre/aluminio deberá hacerse en conformidad con los códigos locales y las prácticas de cableado aceptadas por la industria.

- El calibre de los cables y las conexiones deben hacerse de acuerdo con la clasificación del electrodoméstico, como se especifica en la placa de clasificación del modelo/de la serie. La placa del modelo/de la serie está ubicada detrás del filtro, en la pared posterior de la campana.
- El calibre de los cables deben hacerse de acuerdo a los requisitos del National Electrical Code (Código Nacional Eléctrico), ANSI/NFPA 70 (última edición) o las normas de CSA C22.1-94 Canadian Electrical Code (Código Canadiense de Electricidad), Parte 1 y C22.2 N° 0-M91 (última edición), y todos los códigos y ordenanzas locales.

Antes de instalar la campana

NOTA: Esta campana se instala directamente detrás de la parrilla. Instale la campana primero, después instale la parrilla.

IMPORTANTE: Observe todos los códigos y leyes vigentes.

- Permita que un técnico especializado instale la campana. Es la responsabilidad del instalador cumplir con las especificaciones de la etiqueta modelo/serial. La etiqueta modelo/serial se localiza al frente de la caja del motor de la campana.
- La campana debe estar ubicada lejos de áreas fuertemente ventiladas como ventanas, puertas.
- Las dimensiones de corte de los gabinetes deben ser usados. Las dimensiones brindadas proveen de las distancias mínimas.
- Consulte las instrucciones de instalación de la parrilla antes de realizar cualquier corte.
- Considere que la ubicación de la campana y la parrilla despejará las paredes del gabinete, backsplash y pared trasera dentro del gabinete.
- Considere la distancia mínima entre el borde de la cubierta de cocina al borde frontal de la parrilla.
- Todas las aperturas en el techo y la pared donde el dispositivo sea instalado deberán ser sellados.
- Se requiere de una toma eléctrica de tierra. Vea la "Requisitos Eléctricos".
- Cuando se instale el dispositivo, la caja del gabinete deberá ser removida.

Construcción del gabinete:

Esta campana está diseñada para su uso en gabinetes con una profundidad de 24" (61 cm). Algunas instalaciones requieren cubiertas más profundas de 25" (63.5 cm). Vea el diagrama "Cortes de la cubierta del gabinete."

La profundidad máxima del gabinete superior es de 13" (33 cm).

Los gabinetes superiores instalados a los lados de la campana, deberán tener 18" (45.7 cm) por encima de la superficie de cocinado.

Para la instalación en casas rodantes

La instalación de esta campana para cocina debe ajustarse a Manufactured Home Construction Safety Standards - Estándares de seguridad y construcción de casas fabricadas, Título 24 CFR, Parte 328 (anteriormente conocidos como Federal Standard for Mobile Home Construction and Safety [Estándar federal para la seguridad y construcción de casas rodantes], Título 24, HUD Parte 280), o cuando dicho estándar no sea aplicable, el estándar Manufactured Home Installation (Estándar para instalación en casas fabricadas) de 1982 (Manufactured Home Sites, Communities and Setups [Obras, comunidades y proyectos de casas fabricadas]), ANSI A225.1/NFPA 501A, o la última edición o con los códigos locales.

Lista de Materiales

Retirar del empaque

¡PRECAUCIÓN!

Retire la piezas del empaque con cuidado. Utilice guantes para proteger sus manos contra filos cortantes.

¡ADVERTENCIA!

Retire el protectivo que cubre el producto antes de encenderlo.

Partes suministradas

- Esamble de campana de aspiración inferior con el motor ya instalado
- Filtros de grasa metálicos
- 2 - Patas de soporte inferiores
- 2 - Tapas de acabado
- Transición redonda de 6"
- Transición rectangular de 3¼"x10"
- Tapa metálica superior
- Ensamble del control
- Bolsa con tornillería de instalación con:
 - Guía de instalación
 - 1 - Manga termocontráctil
 - 2 - Cinchos plásticos
 - 2 - Ángulos de instalación
 - 4 - Clips plásticos para el plato de aspiración
 - 7 - Clips adhesivos
 - 8 - Tornillos de instalación de 4 x 8 mm
 - 11 - Tornillos de instalación de 4.5 x 13 mm
 - 3 - Tornillos de instalación de la transición 3.5 x 9.5 mm

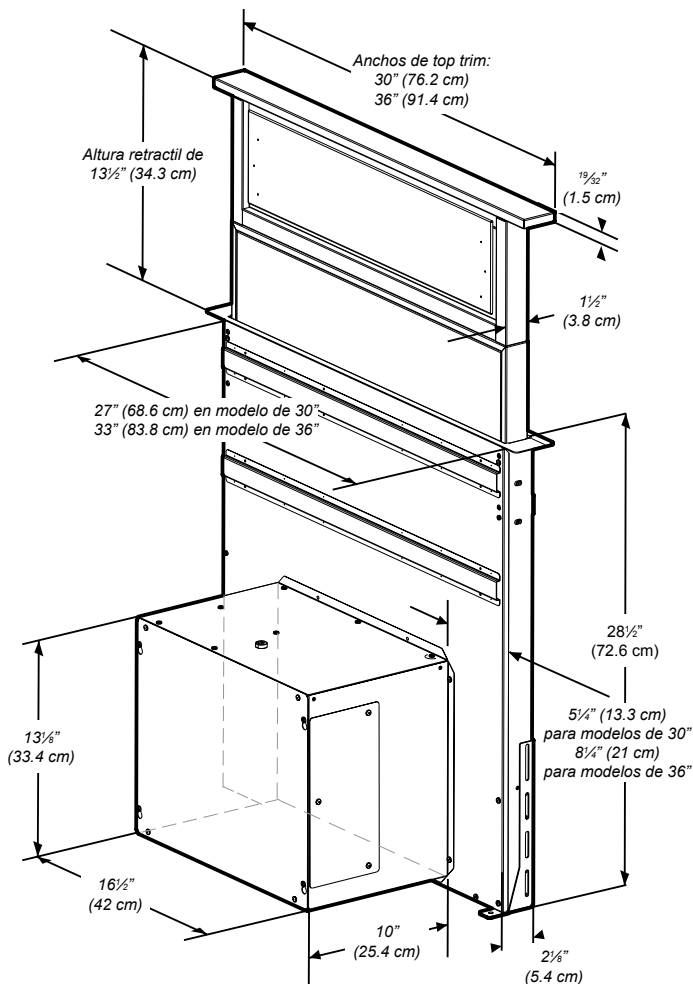
Partes necesarias

- Cable de alimentación
- Pasacables de ½" (12.7 mm) aprobado por UL ó CSA
- 3 conectores de cables aprobados por UL
- 1 boquilla para pared
- Ducto de ventilación redondo de 6" ó rectangular de 3¼"x10"

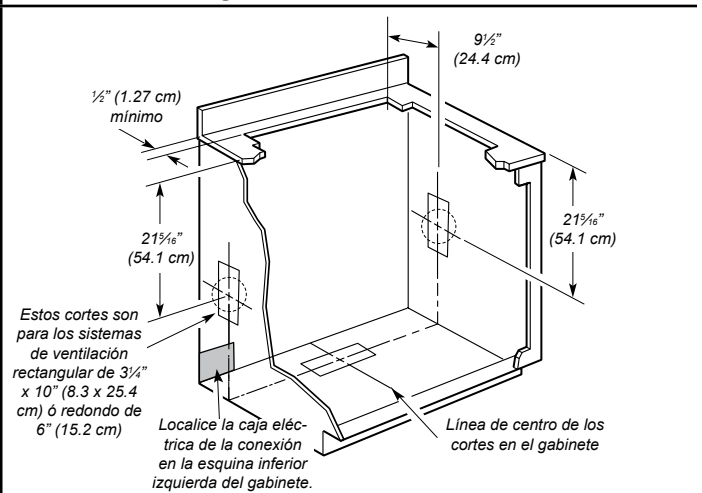
Herramientas/Materiales requeridos

- Nivel
- Taladro con brocas de 1¼" (3.2 cm), ⅛" (3.2 mm), y ⅝" (7.9 mm)
- Lápiz
- Pella cables ó cuchillo
- Cinta métrica o regla
- Pinzas
- Pistola galafateadora y silicón para sellar a prueba de agua
- Sujetadores de ductos
- Serrucho o sierra caladora
- Destornillador plano

Dimensiones del Producto



Dimensiones del gabinete



NOTAS:

- Contemple las instrucciones de instalación del fabricante de la parrilla para determinar las medidas de corte.
- Use las dimensiones para los cortes de los ductos de salida que apliquen a su instalación.
- Los motores internos se conectan con ductos rectangulares de 3¼" x 10" (8.3 x 25.4 cm) ó con ducto redondo de 6" (15.2 cm). La ubicación de los cortes para este sistema de ventilación depende específicamente de su instalación.

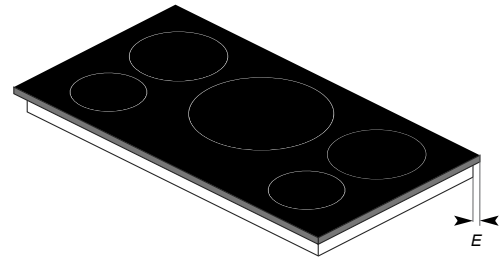
Dimensiones de corte de la cubierta de cocina

IMPORTANTE: Las cubiertas con borde frontal redondeado no son recomendados para estas instalaciones.

Algunos modelos requieren una cubierta más profunda de 25" (63.5 cm); vea la sección "Dimensiones de corte de la cubierta."

Para evitar errores, se recomienda que los cortes de la parrilla y la campana sean dibujados encima de la cubierta antes de hacer algún corte. Vea las instrucciones de instalación de su parrilla para completar los detalles referentes a las dimensiones de corte, la ubicación y la instalación.

NOTE: Para evitar posibles problemas de silbidos por filtración de aire, se recomienda mantener al mínimo la distancia entre la parrilla y la campana retractil (J). Se recomienda la aplicación de sellador en esa área.



A. 1/2" (12.7 mm) mínimo a la cubierta ó a la pared trasera

B. 3/4" (19.1 mm) profundidad máxima del backsplash

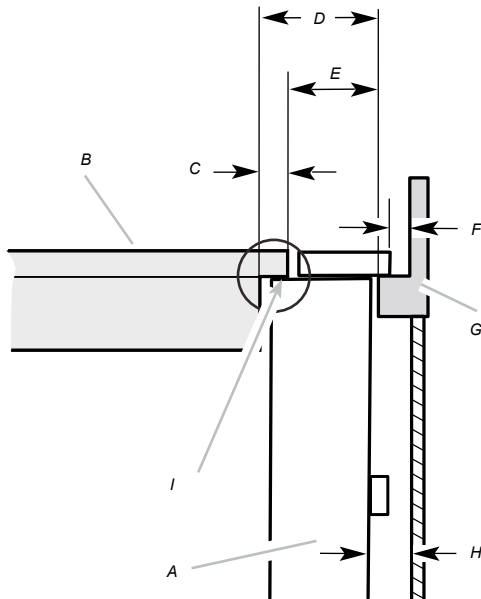
C. 27 1/2" (69.9 cm) en modelos de 30" (76.2 cm)
33 1/2" (85.9 cm) en modelos de 36" (91.4 cm)

D. $D = E + 2 1/2"$ (61 mm)

E. Volado trasero de la parrilla

F. $\varnothing 2 1/8"$ (6.5 cm). El control puede ser instalado en el lado izquierdo o derecho.

G. Distancia mínima a la parrilla: 4" (10 cm)
Distancia máxima a la parrilla: 8" (20 cm)



A. Campana retractil

B. Superficie de cocinado

C. Dimensión del volado trasero de la parrilla

D. $D =$ Medida del volado trasero de la estufa
 $(C) + 2 1/2"$ (61 mm) (E)

E. 2 1/2" (61 mm)

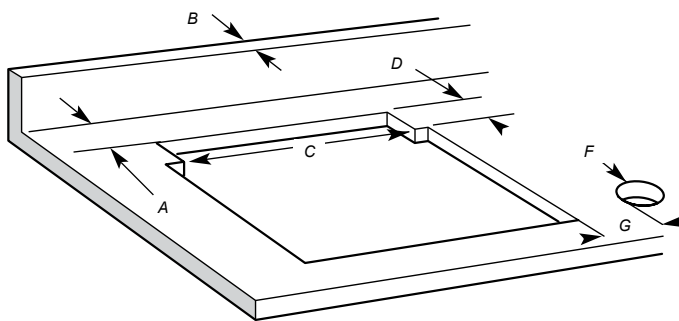
F. 1/4" (6.4 mm) mínimo

G. Parte trasera del gabinete y cubierta anti salpicaduras

H. 1/2" (12.7 mm) mínimo

I. Sellar la unión de la parrilla y la campana

Tabla con dimensiones de corte de la cubierta



Requisitos de ventilación

IMPORTANTE: Asegúrese de que existen las dimensiones apropiadas en la pared o el piso antes de realizar los cortes para la salida.

- Utilice ductos metálicos rígidos.
- El sistema de ventilación debe tener salida al exterior.
- El ducto de salida no deben terminar en ningún ático ni otra área cerrada.
- No use boquillas de lavandería 4" (10.2 cm).
- No instale 2 codos juntos.
- No utilice ductos flexibles ni de papel aluminio.
- La longitud del ducto y número de codos deben permanecer en su mínimo para proveer rendimiento adecuado.
- No utilice más de 3 codos.
- Asegúrese de que existe un mínimo de 24" (61 cm) de tramo recto de ducto entre los codos, si se utilizara más de un codo.
- Use abrazaderas para sellar todas las juntas en el sistema de ventilación.
- Utilice masilla de calafateo para sellar la abertura exterior de la pared o el techo alrededor de la cubierta.

Instalaciones en climas fríos

Como parte del sistema de ventilación, se deberá instalar una compuerta de contratiro adicional para minimizar el flujo de aire frío hacia atrás, y un dispositivo de interrupción térmico para reducir la conducción de las temperaturas exteriores. La compuerta deberá estar en el lado del aire frío del dispositivo de interrupción térmico.

El dispositivo de interrupción deberá estar lo más cerca posible del lugar donde el sistema de ventilación entra a la parte con calefacción de la casa.

Aire de complemento

Los códigos locales de construcción podrían requerir el uso de sistemas de aire de complemento, en el caso de que se usen sistemas de ventilación con un movimiento de aire mayor a los CFM (pies cúbicos por minuto) especificados. Los pies cúbicos por minuto especificados varían entre localidades. Consulte a su profesional de Calefacción, Ventilación y Acondicionamiento de Aire (HVAC) para obtener información sobre los requisitos particulares en su zona.

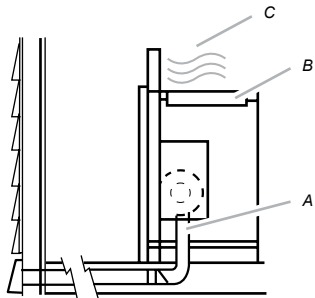
Instrucciones de Instalación

Métodos de ventilación

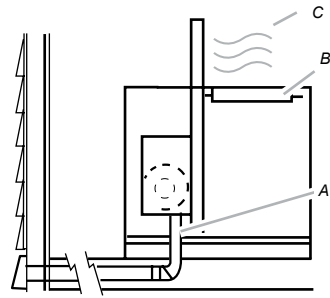
Determine que método de ventilación es el adecuado para su aplicación. El sistema de ventilación puede terminar en la pared o en el suelo.

Instalaciones de Isla

Instalación con motor enfrente (standard)

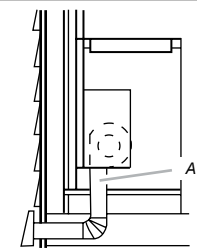


Instalación de motor trasera (Versión reversible)

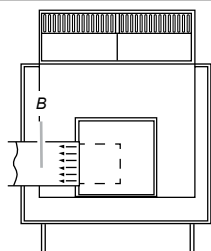


A. Ventilación inferior
B. Superficie de cocinado
C. Plato de aspiración

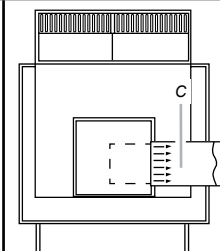
Instalación en gabinete empotrado



A. Ventilación inferior



B. Ventilación izquierda

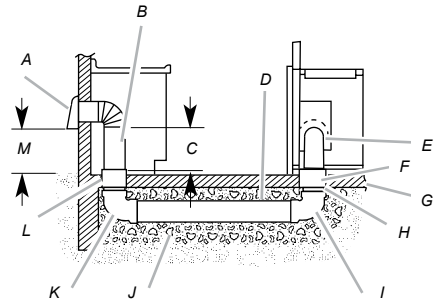


C. Ventilación derecha

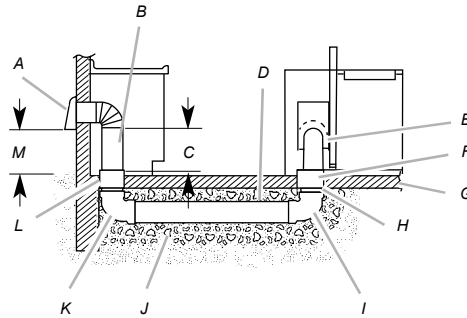
Ubicación de Isla

Ductos de salida instalados debajo de una placa de concreto usando tubo de PVC.

Instalación frontal del motor (standard)



Instalación trasera del motor (plato de aspiración reversible)



A. Boquilla de pared
B. Ducto redondo de 6" (15.2 cm)
C. 16" (40.6 cm) máximo
D. Tubo de PVC redondo de 6" (15.2 cm)
E. Transición metálica redonda de 6" (15.2 cm) con válvula antirretorno
F. Unión de PVC redonda de 6" (15.2 cm)
G. Loza de concreto
H. Tubo de PVC redondo de 6" (15.2 cm)

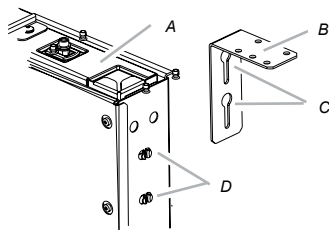
I. Codo de 90° redondo de PVC de 6" (15.2 cm).
J. Compactar grava o arena alrededor de la tubería
K. Codo de 90° redondo de PVC de 6" (15.2 cm).
L. Unión de PVC redonda de 6" (15.2 cm)
M. 12" (30.5 cm) mínimo.

Instalando la campana

PRECAUCIÓN:

Riesgo de Peso Excesivo. Se requiere de 2 o más personas para mover e instalar la campana de aspiración inferior. El incumplimiento puede resultar en lesiones de la espalda.

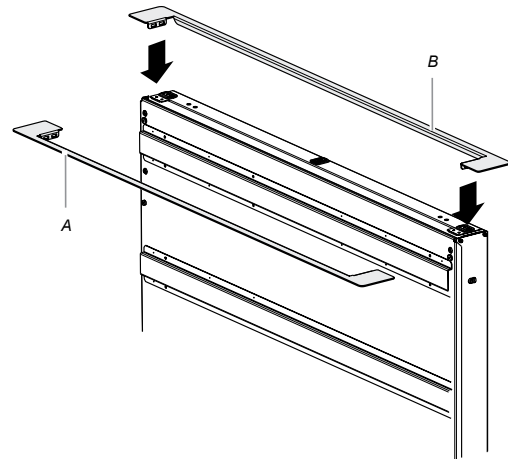
1. Coloque cartón ó algún material similar encima de alguna superficie plana donde pueda fácilmente ensamblar la campana.
2. Retire las partes de cartón, la campana y la caja de motor de la caja.
3. Retire las parte de empaque, cinta y el protectivo que cubre la campana y la caja del motor.
4. Instale los ángulos sujetores a la campana como lo muestra la campana. Deslice las ranuras del ángulo sujetor en las lengüetas, después empujelos para que se coloquen en posición.



A. Caja de ventilación
B. Pieza angular de sujeción inferior

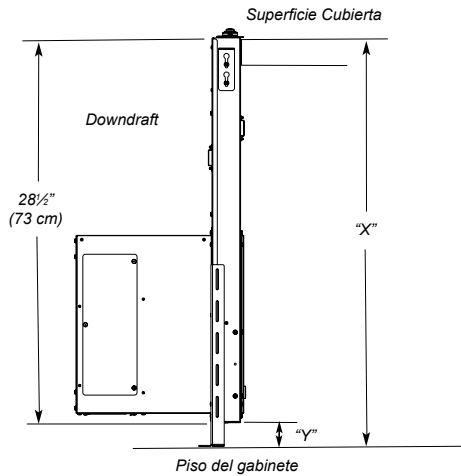
C. Ranuras de sujeción
D. Lengüetas de guía

5. Instale la tapa a la campana, dependiendo en que posición ha decidido instalarla (standard o reversible). Coloque las lengüetas de la tapa dentro de los orificios de instalación como se muestra en la figura y empujelo hacia abajo para que entre en su lugar.

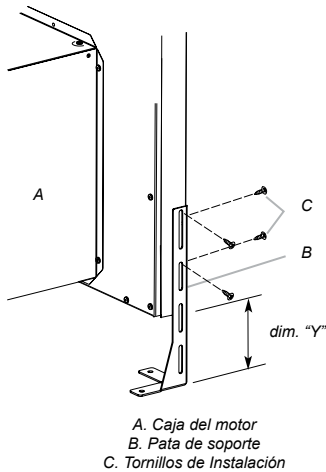


A. Tapa de instalación standard
B. Tapa de instalación de versión reversible
NOTA: Sólo una tapa debe ser instalada A o B

6. Mida la distancia "X" del piso del gabinete a la parte superior de la cubierta. Reste 28½" de la distancia "X" para determinar la dimensión "Y" ($X - 28\frac{1}{2} = Y$).

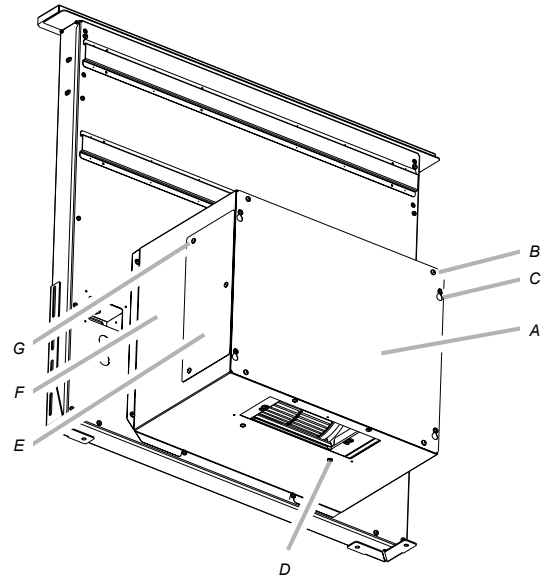


7. Sujete las patas a la parte lateral de la campana con 4 tornillos 4 x 8 mm en cada pata de soporte. Ajuste la dimensión "Y" desde la base de la campana a la base de las patas de soporte. Apriete los tornillos.



Salida izquierda o derecha:

1. Con la ayuda de dos o más personas, coloque la campana de espaldas, con la caja de motor hacia arriba.
2. Retire los cuatro tornillos de la cubierta de la caja de motor y colóquelos a un lado.



- A. Tapa de la caja de motor
B. Tornillos de la tapa
C. Ranuras para tornillos ajustables de la tapa
D. Tornillos de instalación del motor
E. Cubierta de salida de aire
F. Caja de motor
G. Tornillos de la tapa

3. Deslice la cubierta y libere los tornillos ajustables. Coloque a un lado la cubierta.
4. Retire los 4 tornillos de sujeción del motor que se encuentran en la parte baja de la caja de motor.
NOTA: Desconecte el cableado eléctrico del motor si es necesario.
5. Retire los 3 tornillos y la cubierta de salida a los lados derecho ó izquierdo (según lo haya elegido) de la caja de motor.
6. Gire el ensamble de motor 90° al lado izquierdo o derecho y atorníllelo con los 3 tornillos previamente retirados. Trate de no girar los cables.
7. Vuelva a colocar la tapa en la salida inferior.
NOTA: Reinstale la conexión eléctrica si se necesita.
8. Reinstale la cubierta de la caja eléctrica con los 4 tornillos previamente retirados.

Determine que dirección de salida es la mejor para su instalación

Cuando se instala en un gabinete, el sistema de ventilación puede expulsar el aire por la parte baja, izquierda y derecha de este.

IMPORTANTE: Cuando utilice la transición redonda de 6" (15.2 cm), sólo las salidas izquierda o derecha son recomendadas.

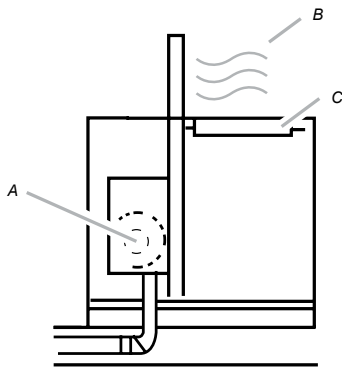
Salida inferior

NOTA: Si realiza la instalación por la parte baja del gabinete, se requerirá de una boquilla de pared o techo con válvula antirretorno a la salida.

- La campana viene configurada con el motor para la salida de aire inferior. Si ha elegido este sentido de salida, no deberá hacer ninguna otra modificación.
- Si no necesita emplear el modo reversible de la campana, vaya a la sección "Complete la Instalación".
- Para montar el plato de aspiración en sentido inverso a la caja del motor, vaya a la sección "Montaje inverso del plato de aspiración".

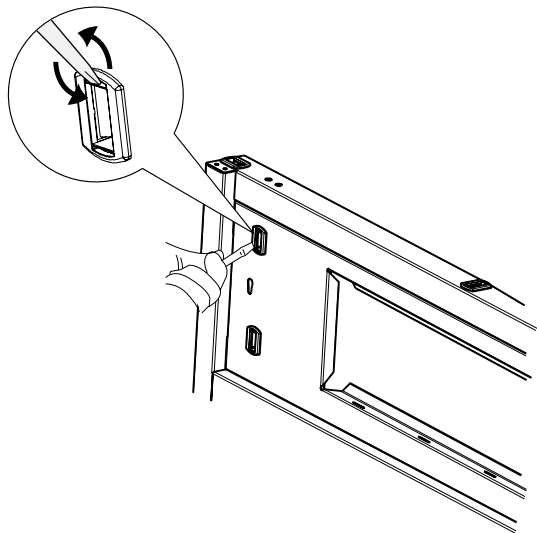
Montaje inverso del ensamble de aspiración (versión reversible)

Existe la posibilidad de cambiar la posición el ensamble de aspiración (plato de aspiración metálico, filtros, estructura) al lado opuesto de la caja de motor, para instalaciones en isla.

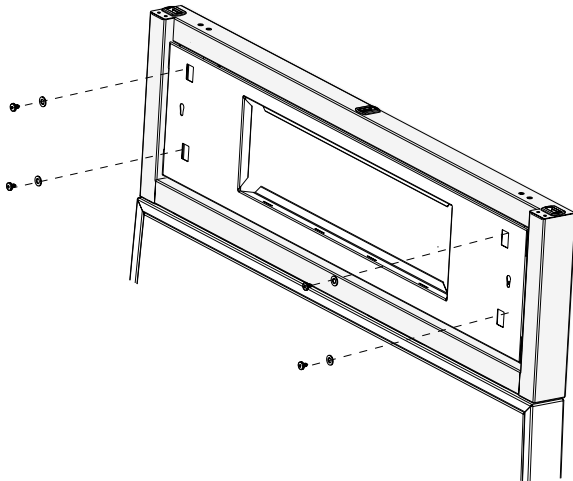


A. Caja del motor
B. Orientación de la aspiración
C. Superficie de cocinado

1. Mueva el plato de aspiración y los filtros de grasa y colóquelos a un lado. (Vea la sección de limpieza).
2. Con la ayuda de un desarmador de cabeza plana, retire los clips plásticos del ensamble de aspiración, como lo muestra la figura inferior.

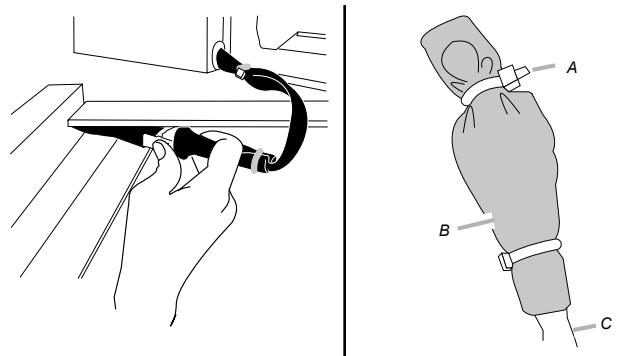


3. Una vez que los clips fueron removidos del ensamble, retire los tornillos y tuercasy colóquelos a un lado.



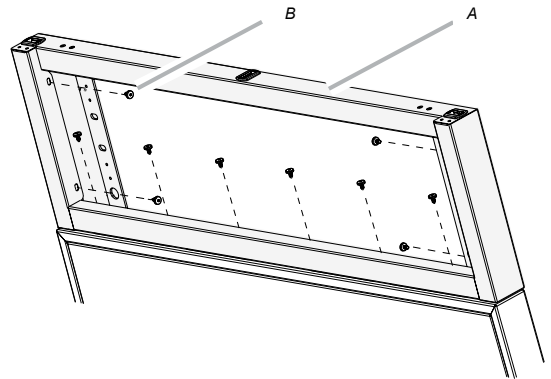
4. Desconecte la conexión eléctrica del ensamble de aspiración y retírelo de la campana.

NOTA: Una vez desconectado el conector, cúbralo con la manga termocontráctil y los cinchos plásticos como muestra la imagen inferior. Descubra el conector opuesto.



A. Cinchos plásticos
B. Tubo termocontráctil
C. Connection del ensamble de aspiración

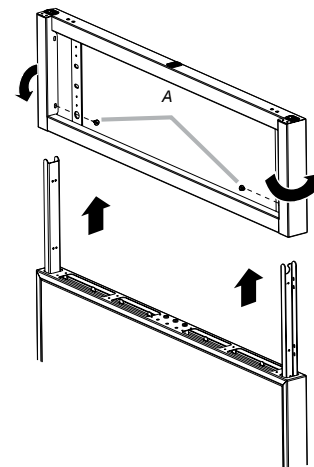
5. Retire los tornillos de instalación de la estructura de instalación como lo muestra la imagen inferior.



A. Estructura
B. Tornillos de Instalación

6. Levante la estructura y gírela al lado opuesto. Atorníllela con los tornillos previamente retirados.

NOTA: Para alinear correctamente la estructura, comience instalando los tornillos en la posiciones indicadas en la figura inferior.



A. Tornillos de Instalación

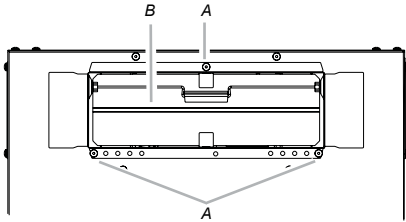
7. Haga la conexión eléctrica y colóque la estructura en su lugar.
8. Vuelva a colocar los tornillos y las rondanas del ensamble de aspiración e inserte nuevamente los clips.
9. Vuelva a colocar los filtros de grasa y el plato de aspiración.

Complete la Instalación

NOTA: Con este sistema de ventilación incluye una transición rectangular de 3¼" x 10" (8.3 x 25.4 cm) y una transición redonda de 6" (15.2 cm) ambas con válvula antirretorno. Vea las siguientes secciones dependiendo de la instalación elegida.

Transición rectangular de 3¼" x 10" (8.3 x 25.4 cm) con válvula antirretorno

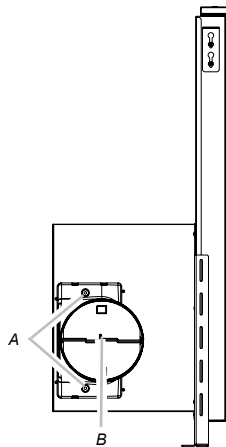
1. Instale la transición de 3¼" x 10" (8.3 x 25.4 cm) a la abertura en a la caja de motor, usando 3 tornillos de 3.5 x 9.5 mm.



A. Tornillos de 3.5 x 9.5 mm
B. Válvula antirretorno 3¼" x 10" (8.3 x 25.4 cm)

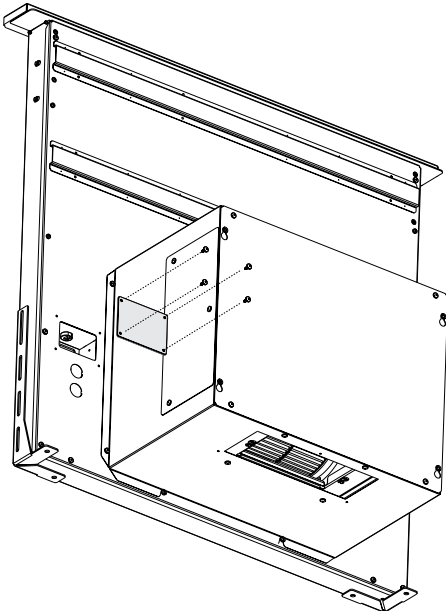
Transición redonda de 6" (15.2 cm) con válvula antirretorno

2. Instale la transición redonda de 6" (15.2 cm) a la abertura (sólo la abertura izquierda o derecha son recomendadas), usando dos tornillos de 3.5 x 9.5 mm.

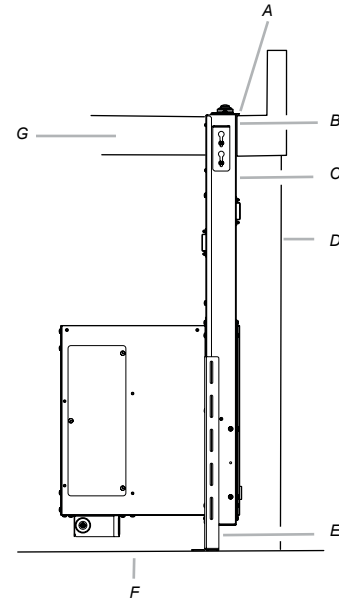


A. Tornillos de 3.5 x 9.5 mm
B. Transición redonda de 6" (15.2 cm) con válvula antirretorno

3. Retire los 4 tornillos que sujetan la cubierta de la caja eléctrica.
4. Elija en que dirección (frontal ó trasera) entrará el cable de corriente a la caja de motor. Retire los knockouts e instale el conducto de cables de ½" (12.7 mm) aprobado por UL ó CSA.



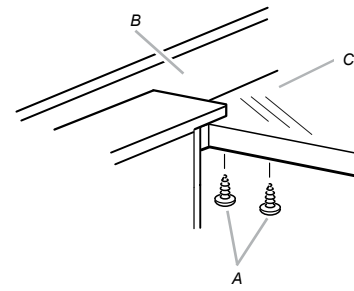
5. Con la ayuda de 2 ó más personas, inserte la campana en su posición final, recargando la cara posterior contra el borde del corte en la cubierta.



A. Cara posterior de la tapa
B. Borde del corte en la cubierta
C. Parte trasera del dispositivo
D. Parte trasera del gabinete
E. Pata de soporte
F. Piso del gabinete
G. Cubierta

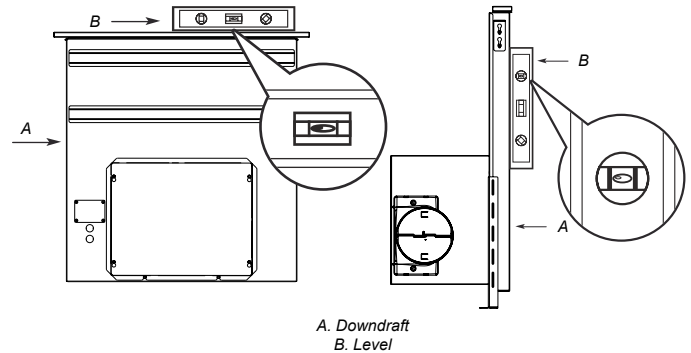
6. Perfore 2 orificios usando los ángulos de instalación para marcar su ubicación debajo de la cubierta. Monte los ángulos a la cubierta con 2 tornillos de 2 - 4.5 x 13 mm.

IMPORTANTE: Elija una medida de tornillo que no permita que este traspase la cubierta una vez que los apriete.



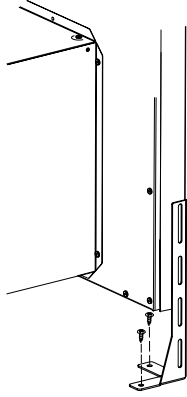
A. Tornillos
B. Cubierta antisalpicaaduras
C. Cubierta

7. Verifique que la campana esté nivelada verticalmente.



A. Downdraft
B. Level

- Afloje las patas inferiores y atorníllelas contra el piso del gabinete con 2 tornillos de 2 - 4.5 x 13 en cada pata.

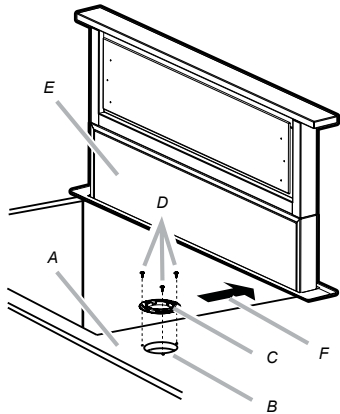


- Apriete los tornillos de las patas de instalación.

Instalación del control

- Antes de realizar la instalación del control, asegúrese de haber hecho los cortes en la cubierta.
- Coloque la base del control en su ubicación y marque con un lápiz los puntos donde irán los tornillos.
- Perfore en la ubicación marcada.
- Coloque la base del control sobre la cubierta e instale 3 tornillos instalación de 4.5 x 13 mm.

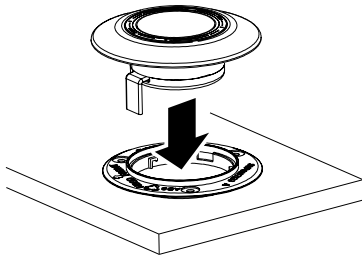
NOTA: La leyenda "Front" está escrita en la base del control. Dicha leyenda siempre debe estar apuntando al frente de la campana.



A. Cubierta de la cocina
B. Corte para el control
C. Base del control

D. Tornillos de instalación
E. Frente de la campana
F. Sentido de instalación del control

- Pase el cable del control a través del corte en la cubierta.
- Empuje hacia abajo el ensamble del control contra la base, hasta que haga click.



Conexión Eléctrica

ADVERTENCIA

Peligro de choque eléctrico

Desconecte la corriente antes de realizar la conexión eléctrica. Vuelva a colocar las partes y/o paneles antes de encender. El no seguir estas instrucciones puede resultar en choque eléctrico o en la muerte.

- Desconecte la corriente.
- Pase el cable de corriente a través del conector hacia la caja eléctrica.

ADVERTENCIA

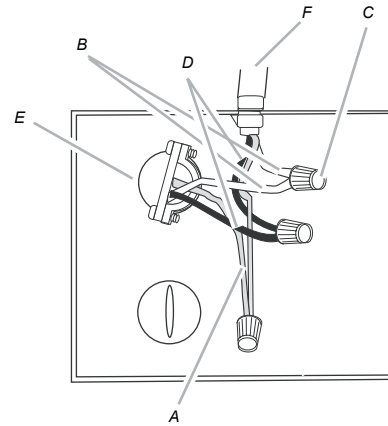
Peligro de choque eléctrico

Motor electricamente aterrizado.

Conecte el cable de tierra al cable de tierra verde y amarillo de la caja eléctrica.

El no seguir estas instrucciones puede resultar en choque eléctrico o en la muerte.

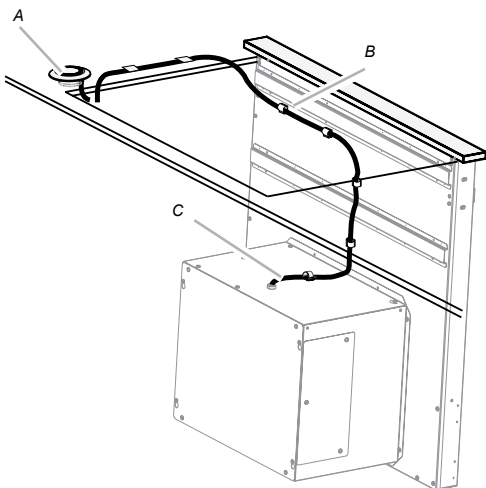
- Conecte el cable de tierra (verde/amarillo) al cable de tierra verde/amarillo con un conector aprobado por UL.
- Apriete la tuerca del conducto conector.
- Conecte los 2 cables blancos con un conector aprobado por UL.
- Conecte los 2 cables negros con un conector aprobado por UL.



A. Cable de tierra verde o amarillo/verde
B. Cables blancos
C. Conectores de cables aprobados por UL
D. Cables negros
E. Pasacables aprobado por UL o CSA
F. Cableado del downdraft

Conexión del control

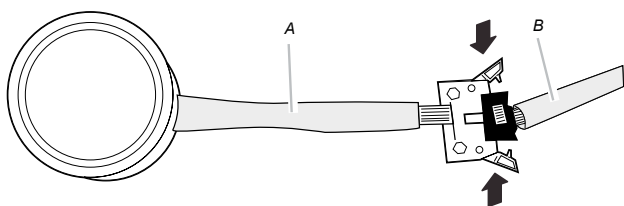
1. Corra el cable del control de la caja de motor a la ubicación del ensamble de control (vea la imagen de abajo).



A. Control
B. Clips adhesivos para cables
C. Cable para conexión del control

NOTA: Se recomienda guiar el cable de conexión lo más pegado a la caja de motor. Use los clips adhesivos suministrados.

2. Conecte los conectores del control.

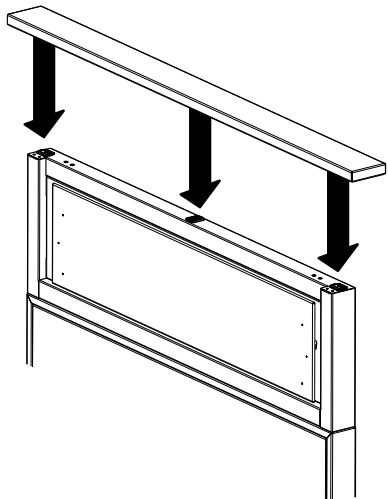


A. Cable del control
B. Cable de caja del motor

3. Revise la operación.

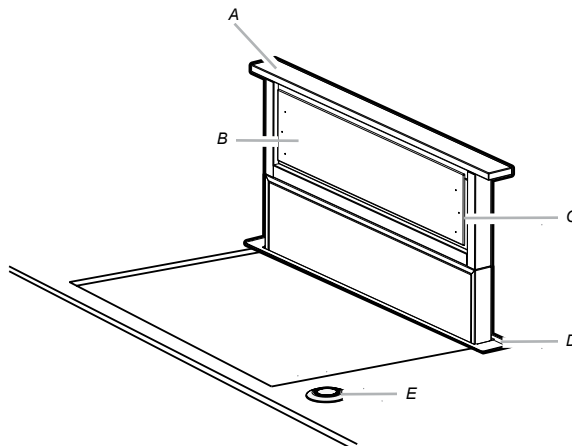
Instale la tapa superior

1. Empuje hacia abajo la tapa superior contra la superficie de la campana. Los pins de la tapa deben entrar en los clips plásticos de la campana.



Verifique el funcionamiento

1. Presione y sostenga el botón por unos segundos. La sección retráctil de la campana emergerá y el motor empezará a funcionar.



A. Tapa superior
B. Plato de aspiración
C. Filtros de grasa
D. Tapa de cubierta
E. Control

2. Si la campana no funciona correctamente:
 - Revise si los filtros están colocados correctamente.
 - Verifique que los circuitos no estén averiados o un fusible fundido.
3. Conecte los ductos de salida a la campana. El sistema de ventilación deberá terminar en una boquilla de pared. Use abrazaderas o cinta para cubrir y sellar las uniones.

Uso de la campana

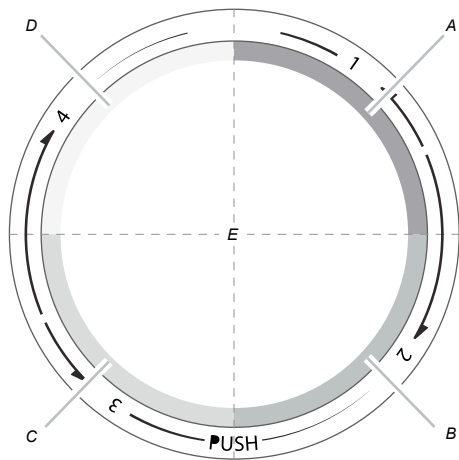
La campana de aspiración inferior está diseñada para remover humo, vapores y olores del área de cocina.

- Para obtener mejores resultados, la campana ya debe estar operando antes de iniciar a cocinar.
- Si utiliza utensilios largos y altos, colóquelos en la superficie o a un lado la parrilla.
- Se necesitará un calor más alto cuando la campana esté en funcionamiento.
- Para parrillas de gas, la campana de aspiración inferior afectará la estabilidad de la flama y el desempeño del cocinado. Para mantener el rendimiento, disminuya la velocidad de la campana o aumente la intensidad de la flama.
- Para cocinar en parrillas de gas, la campana de aspiración inferior dispersará la flama de la chispa y lo mantendrá intermitente. Para corregir este detalle, disminuya la velocidad de la campana o aumente la intensidad de la flama.

Uso de la campana

Utilice la velocidad alta de aspiración en casos de vapores concentrados. Se recomienda que la campana sea encendida 5 minutos antes de empezar a cocinar y dejarlo funcionando 15 minutos después de haber terminado de cocinar.

El panel de control consiste en un disco rotativo luminoso.



Para elevar el sistema de ventilación:

Presione el disco central (E) aprox 2 segundos para que se eleve el sistema de aspiración.

Presione el disco central (E) aprox 2 segundos para que se esconda el sistema de aspiración.

NOTA: Si presiona el disco central para que se esconda el sistema de aspiración, mientras está operando, este se apagará automáticamente.

Para elegir las velocidades de aspiración disponibles:

Gire el disco (E) en el sentido de las manecillas del reloj para encender e incrementar la velocidad de succión; y gírelo en sentido contrario a las manecillas para disminuir las velocidades y para apagar la campana.

Las luces del aro indican la velocidad de succión elegida:

Zona A iluminada

Velocidad 1 (mínima).

Zonas A + B iluminadas

Velocidad 2 (media).

Zonas A + B + C iluminadas

Velocidad 3 (máxima).

Zonas A + B + C + D iluminadas

Velocidad 4 (intensiva). Dura 5 minutos, después se ajustará automáticamente en la velocidad 2.

Apagado:

Motor apagado.

Zonas A + B + C + D flasheando

El aro de luz empezará a parpadear después de 40 hrs. de trabajo. Esto indica que los filtros de grasa deben ser retirados y limpiados. Esta función deberá ser reiniciada presionando por 5 segundos el disco (E).

Cuidado de la campana

Superficie de la campana

Para evitar dañar el acabado, limpie su campana con jabón y agua. No rocíe soluciones en polvo o soluciones abrasivas.

Superficies exteriores

Para evitar el daño a las superficies exteriores, no utilice fibras metálicas ni jabonosas.

Siempre seque con un paño para evitar marcas de agua.

Métodos de limpieza:

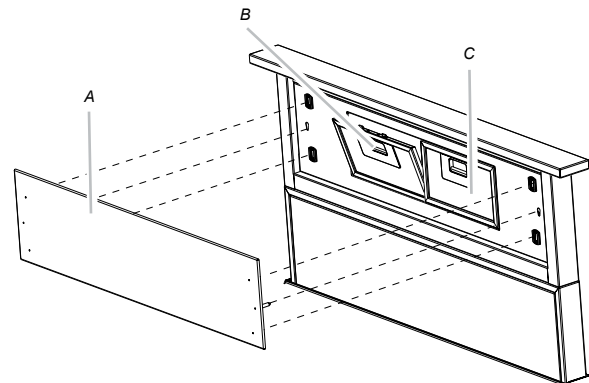
- Utilice líquido detergente, ó limpiador multipropósito
Frote con paño suave ó esponja no abrasiva, Enjuague con agua y seque.

Para limpiar:

1. Retire los filtros y el plato de aspiración y límpielos en el lavatrastes o con una solución jabonosa. La campana no funcionará si no está colocado el plato de aspiración.
2. Seque los filtros y el plato perimetral y reinstálelos, asegurándose de que estén bien colocados.

Para reemplazar los filtros:

1. Coloque los filtros en la sección retractil de la campana.
2. Coloque el plato de aspiración, y asegúrese de que los pins se atoren en los clips



A. Plato de aspiración
B. Manija del filtro de grasa
C. Filtros de grasa

NOTA: La campana no funcionará si el plato de aspiración no está en su lugar. Si los pins del plato de aspiración no están correctamente atorados, el sistema de aspiración se retraerá, pero no emergerá. Si la campana sigue sin funcionar, aún después de haber colocado el plato de aspiración limpio:

Empuje el plato de aspiración hasta el fondo. Cuando el plato es retirado, el microswitch dentro de la campana se desactiva. Esta función no permitirá funcionar a la campana, hasta que el plato esté en su lugar.

Solución de problemas

PROBLEMA	POSIBLES CAUSAS Y/O SOLUCIONES
Nada funciona	<p>¿Se ha fundido un fusible doméstico o se ha disparado un interruptor de circuito? Reemplace el fusible o reinicie el disyuntor. Si el problema persiste, llame a un electricista.</p> <p>¿Está el plato perimetral en su posición correcta? Asegúrese de que el plato perimetral esté presionado completamente.</p> <p>¿Se ha pulsado el botón de inicio durante al menos 2 segundos? Presione y mantenga presionado el disco del control durante al menos 2 segundos para completar el ciclo necesario para comenzar a retraerse.</p>
La campana no se retrae	<p>¿Está colocado el plato perimetral en su posición? Cuando se quita el plato, el microswitch detrás del filtro se desactiva. Esta característica no permitirá que el sistema de ventilación funcione hasta que el plato esté instalado correctamente.</p> <p>¿Está el plato perimetral instalado correctamente? Empuje el plato perimetral hasta el tope para activar el microswitch detrás del filtro.</p> <p>¿Se ha pulsado el botón de inicio durante al menos 2 segundos? Presione y mantenga presionado el disco del control durante al menos 2 segundos para completar el ciclo necesario para comenzar a retraerse.</p> <p>¿Está correctamente asegurada la campana? Asegúrese de que la campana de ventilación esté nivelada y en posición vertical. Compruebe que esté bien sujeta al piso y a la cubierta de cocina.</p>
La campana asciende parcialmente	<p>¿Algo ha estado obstruyendo el movimiento de la campana? Asegúrese de que la parrilla no esté interfiriendo con el movimiento de la campana.</p> <p>¿La campana está nivelada? Nivele la campana. Consulte la sección "Complete la Instalación".</p>
El motor no funciona	<p>¿Está la campana completamente levantada? Compruebe que la campana se encuentre en la máxima posición superior.</p> <p>¿Está el plato perimetral instalado correctamente? Empuje el plato perimetral hasta el tope para activar el microswitch detrás del filtro.</p> <p>¿El disco del control ha sido activado? Gire el disco del control en el sentido de las manecillas del reloj para encender la campana e incrementar la velocidad de aspiración. Gire al contrario para disminuir la velocidad y apagar la campana.</p> <p>¿Está el motor instalado correctamente? Consulte la sección "Montaje inverso del ensamble de aspiración (versión reversible)".</p>
La campana no está al nivel de la cubierta de cocina	<p>¿La campana está nivelada? Nivele la campana. Consulte la sección "Complete la Instalación".</p> <p>¿Está la campana más levantada de un lado? Asegúrese de que ambas piernas de soporte tengan la misma altura desde la parte inferior de la caja de ventilación hasta la parte inferior de las patas de soporte. Consulte la sección "Instalación del sistema de ventilación".</p>
La campana causa ruido	<p>¿Fue la campana recientemente instalada y está haciendo ruidos? Utilice un limpiador de acero inoxidable para eliminar cualquier residuo dejado por la película protectora blanca. Asegúrese de que nada esté bloqueando el paso de ventilación.</p> <p>¿Hay ruido debido al aire en movimiento? Asegúrese de que la instalación del producto esté totalmente en el recorte y no existan espacios al centro de la misma.</p>

GARANTÍA

ELICA Norte América

GARANTIA LIMITADA A DOS AÑOS

PARA OBTENER SERVICIO DENTRO DE GARANTIA.

El propietario debe presentar su recibo original de la compra. Guarde por favor una copia de su recibo de compra como prueba, para recibir el servicio dentro del periodo de garantía.

PARTES Y GARANTIA DE SERVICIO.

Por el periodo de (2) dos años desde la fecha original de la compra, Elica proveerá, gratuitamente, partes no-consumibles o componentes que hayan fallado debido a defectos de fabricación. Durante estos (2) años de garantía limitada, Elica también proveerá gratuitamente, todo el servicio en casa y mano de obra necesaria para reemplazar cualquier parte defectuosa.

QUE NO ESTA CUBIERTO

- Daños o fallas del producto causados por accidente o actos de Dios, tales como inundaciones incendios o terremotos.
- Daños o fallas causadas por alteración del producto o por el uso de partes no-originales.
- Daños o fallas del producto causados durante la entrega, manejo o instalación.
- Daños o fallas del producto causados por abuso del usuario.
- Daños o fallas del producto causados por reemplazo de fusibles dañados o reseteo de interruptor de circuito.
- Daño o fallas causados por el uso del producto en un ambiente comercial (no doméstico).
- Viajes de servicio debidos a dudas sobre el uso o instalación del producto.
- Bombillas, filtros de carbón o metal y cualquier otra parte consumible.
- Desgaste normal.
- Desgaste terminal debido a abusos del usuario, mantenimiento inadecuado, uso de productos / toallas de limpieza corrosivos o abrasivos y por uso de limpiadores para hornos.

QUIEN ESTA CUBIERTO

Esta garantía se extiende al comprador original de productos adquiridos para uso residencial en Norte América (incluyendo Estados Unidos, Guam, Puerto Rico, Islas Vírgenes de USA y Canadá).

Esta garantía no es transferible y aplica solamente al comprador original y no se extiende a propietarios subsecuentes del producto. Esta garantía se expresa en lugar de otras garantías, expresadas o implicadas, incluyendo, pero no limitada a ninguna garantía implicada de comercialización o adaptada para propósitos particulares y cualquier otra obligación por parte de Elica North America, considerando, sin embargo, que si la negación de garantías implícitas es inefectiva bajo la ley aplicable, la duración de cualquier garantía implícita será limitada a dos (2) años desde la fecha original de compra o por el periodo necesario como sea requerido por la ley aplicable.

Esta garantía no cubre cualquier daño especial, incidental y/o consecuente, ni pérdidas de ganancias, sufridas por el comprador original, sus clientes y/o usuarios del producto.

A QUIEN CONTACTAR

Para obtener servicio bajo garantía o para cualquier pregunta relacionada a servicio.

- Servicio Autorizado de Elica North America - 888 732 8018
- elica@servicepower.com

