

INSTALLATION

PLEASE READ ENTIRE INSTRUCTIONS BEFORE PROCEEDING

Calculation before Installation

To calculate installation, please refer to TABLE 1. (All calculation in inches.)

- FOR UNDER THE CABINET -

<p>TABLE 1</p> <p>A = Height of Floor to Ceiling B = Height of Floor to Counter Top (Standard: 36") C = Preferred Height of Counter Top to Hood Bottom (Minimum 26" to 30") D = Height of Hood E = Height of the Cabinet</p>	<p>The diagram illustrates the vertical dimensions for an under-cabinet hood installation. It shows a cross-section of a kitchen cabinet and counter. Dimension A is the total height from the floor to the ceiling. Dimension B is the height from the floor to the counter top. Dimension C is the distance from the counter top to the bottom of the hood. Dimension D is the height of the hood itself. Dimension E is the height of the cabinet above the hood. The hood is shown mounted below the counter top.</p>
---	---

- FOR WALL MOUNT (WITH OPTIONAL DUCT COVER) -

<p>TABLE 2</p> <p>A = Height of Floor to Ceiling B = Height of Floor to Counter Top (Standard: 36") C = Preferred Height of Counter Top to Hood Bottom (Minimum 26" to 30") D = Height of Hood E = Height of Duct Cover [F – D] F = Height of the Hood Installation [A – (B+C)]</p>	<p>The diagram illustrates the vertical dimensions for a wall-mounted hood installation with an optional duct cover. It shows a cross-section of a kitchen cabinet and counter. Dimension A is the total height from the floor to the ceiling. Dimension B is the height from the floor to the counter top. Dimension C is the distance from the counter top to the bottom of the hood. Dimension D is the height of the hood. Dimension E is the height of the duct cover above the hood. Dimension F is the total height from the counter top to the top of the duct cover. The hood is shown mounted on the wall above the counter top.</p>
--	--

⚠ SAFETY WARNING

HOOD MAY HAVE VERY SHARP EDGES; PLEASE WEAR PROTECTIVE GLOVES IF REMOVING ANY PARTS FOR INSTALLING, CLEANING OR SERVICING.

NOTE: BE CAREFUL WHEN USING ELECTRICAL SCREWDRIVER, DAMAGE TO THE HOOD MAY OCCUR.

Installation Contents

UNDER CABINET	7
WALL MOUNT	9

UNDER CABINET INSTALLATION

For Model No.: RAX2130SQB-1 / RAX2136SQB-1 / RAX2142SQB-1

Preparation before Installation

NOTE: TO AVOID DAMAGE TO YOUR HOOD, PREVENT DEBRIS FROM ENTERING THE VENT OPENING.

- Decide the location of the venting pipe from the hood to the outside. (Figure 1)
- A straight, short vent run will allow the hood to perform more efficiently.
- Try to avoid as many transitions, elbows, and long run as possible. This may reduce the performance of the hood.
- Temporarily wire the hood to test for proper operation before installing. If the hood does not operate, check the circuit breaker or house fuse. If the hood is still not working, disconnect power supply and check the continuity of all wire connections.
- Peel protective film off the hood (if any).
- Use duct tape to seal joints between pipe sections.
- Make sure the cabinet has full access opening for the hood as shown on Figure 2.
- Using reference on Page 14 to measure and create access opening for electrical wires and exhaust under the cabinet.

Hood Installation

⚠ CAUTION: USE HAND TOOLS ONLY. DO NOT OVER TIGHTEN SCREWS. IT MAY CAUSE DAMAGE TO THE HOOD.

⚠ CAUTION: If moving the cooking range is necessary to install the hood, turn off the power in an electric range at the main electrical box. SHUT OFF THE GAS BEFORE MOVING A GAS RANGE. And use a protective covering to protect cooktop and/or countertop from damage.

1. Using references on Table 1 and measurements on page 15 mark the leveling point for hood-mounting bracket inside the cabinet.
2. Secure two hood mounting screws (provided) inside the cabinet leaving 1/8" away from the cabinet as shown on Figure 3.
3. Optional step for adjusting hood-mounting bracket height:
 - Loosen hood-mounting brackets at the back of the hood, adjust brackets and tighten screws as shown in Figure 4.
4. Refer to Figure 5. Align hood-mounting bracket to the mounting screws inside the cabinet and hook hood into place. Secure and tighten the mounting screws.

⚠ CAUTION: MAKE SURE THE HOOD IS SECURE BEFORE RELEASING.

Figure 1

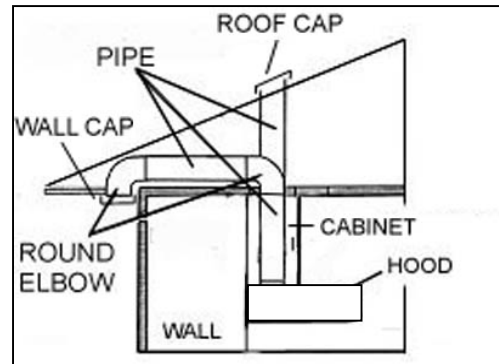


Figure 2

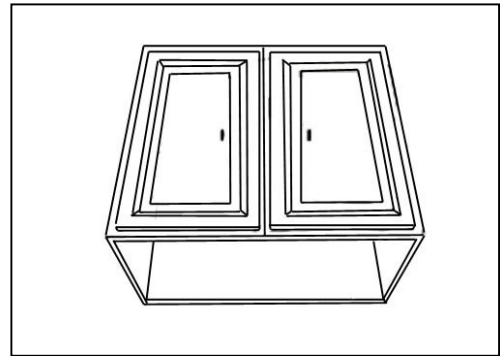


Figure 3

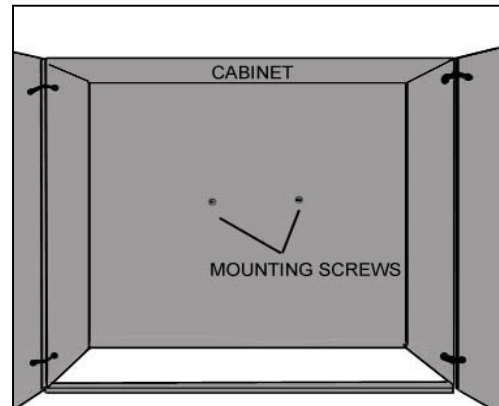
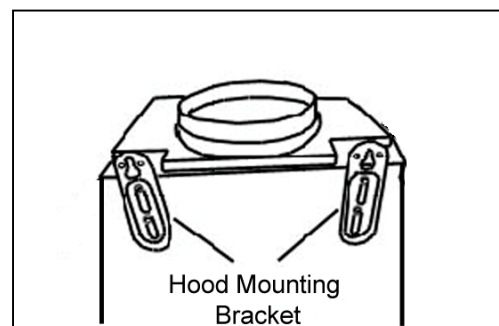


Figure 4



Ductwork Installation

5. Use steel pipe to connect the 6" round plastic collar {E} on the hood to the ductwork above. Use duct tape to make all joints secure and air tight. Refer to Figure 6

Wiring to Power Supply

⚠ THIS RANGE HOOD MUST BE PROPERLY GROUNDED. MAKE SURE THIS IS DONE BY QUALIFIED ELECTRICIAN IN ACCORDANCE WITH ALL APPLICABLE NATIONAL AND LOCAL ELECTRICAL CODES. BEFORE CONNECTING WIRES, SWITCH POWER OFF AT SERVICE PANEL AND LOCK SERVICE PANEL TO PREVENT POWER FROM BEING SWITCHED ON ACCIDENTALLY.

- If hood is operating normally, connect three wires (black, white and green) to house wires and cap with wire connectors.
- Store wires in the wiring box.

Install / Uninstall Accessories

6. Place baffle filters underneath the hood. (Figure 7)

Final Assembly

7. Turn power ON in control panel. Check all lights and fan operation.
8. Leave this Installation Instructions and Operation Manual for the homeowner.

Figure 5

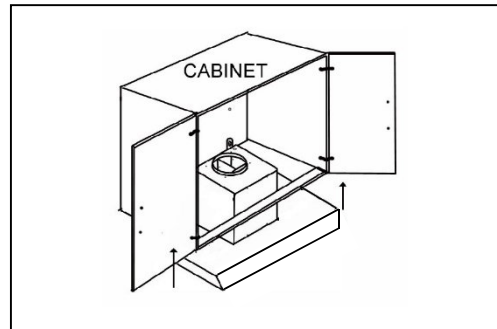


Figure 6

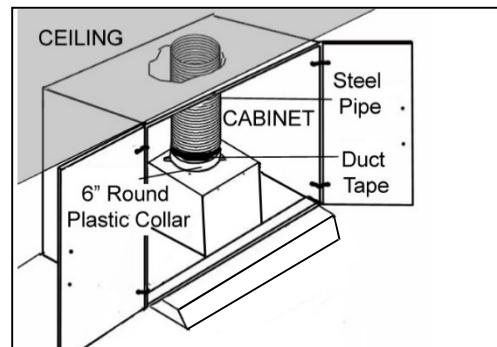
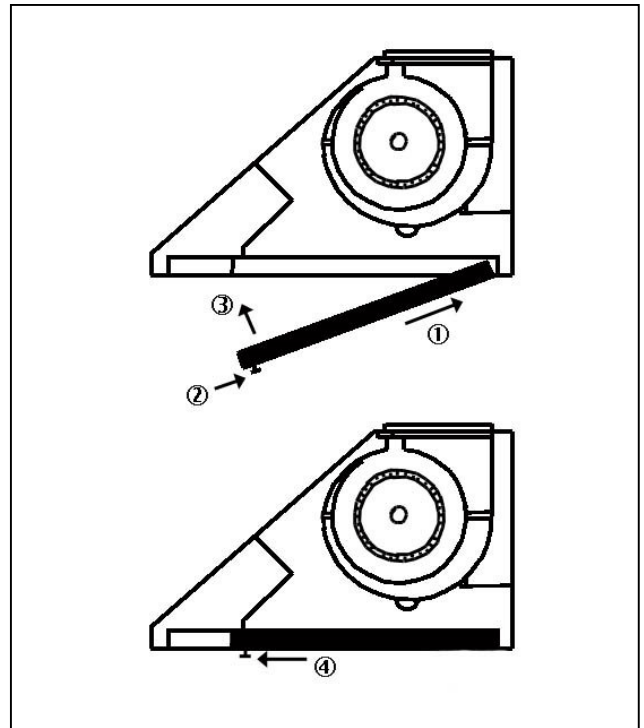


Figure 7



WALL MOUNT INSTALLATION

For Model No.: RAX2130SQB-WM-1 / RAX2136SQB-WM-1 / RAX2142SQB-WM-1

Preparation before Installation

NOTE: TO AVOID DAMAGE TO YOUR HOOD, PREVENT DEBRIS FROM ENTERING THE VENT OPENING.

- Decide the location of the venting pipe from the hood to the outside. Refer to Figure 8.
- A straight, short venting run will allow the hood to perform more efficiently.
- Try to avoid as many transitions, elbows, and long run as possible. This may reduce the performance of the hood.
- Temporarily wire the hood to test for proper operation before installing. If the hood does not operate, check the circuit breaker or house fuse. If the hood is still not working, disconnect power supply and check the continuity of all wire connections.
- Peel protective film off the hood (if any).
- Use duct tape to seal the joints between pipe sections.
- If necessary, prepare back wall frame with cross framing lumber for secure installation. Using references on Table 2 and measurements on page 14-15, decide the level of the lumber. Refer to Figure 9.

Figure 8

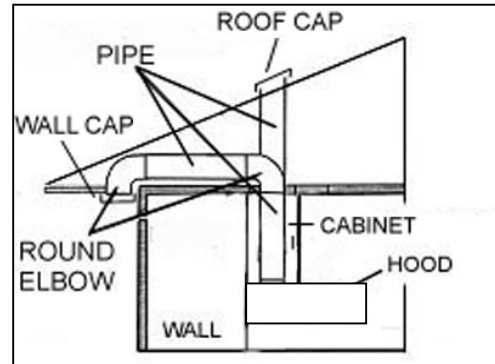
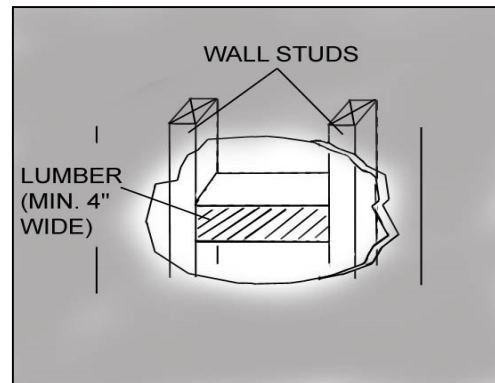


Figure 9



Hood Installation

CAUTION: USE HAND TOOLS ONLY. DO NOT OVER TIGHTEN SCREWS. IT MAY CAUSE DAMAGE TO THE HOOD.

CAUTION: If moving the cooking range is necessary to install the hood, turn off the power in an electric range at the main electrical box. SHUT OFF THE GAS BEFORE MOVING A GAS RANGE. And use a protective covering to protect cooktop and/or countertop from damage.

1. Using references on Table 2 and measurements on page 14-15, mark the leveling point of the hood. Position mounting screws (provided) on the wall, leaving 1/8" away from the wall as shown in Figure 10.
2. Optional step for adjusting hood-mounting bracket height:
 - Loosen hood-mounting brackets at the back of the hood, adjust brackets and tighten screws as shown in Figure 11.
3. Align Hood-Mounting Bracket to the two screws on the wall and hook hood into place. Tighten screws to secure hood to the wall.

CAUTION: MAKE SURE THE HOOD IS SECURE BEFORE RELEASING.

Figure 10

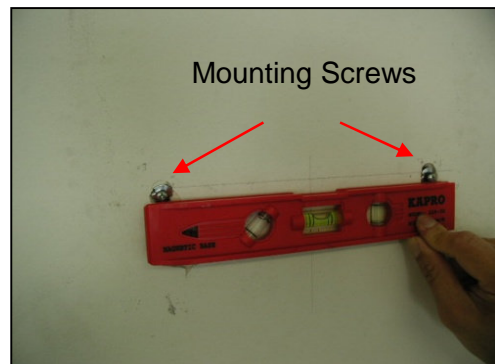
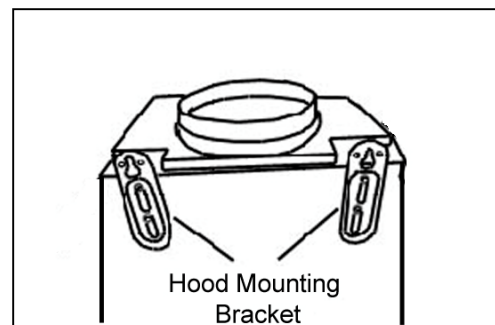


Figure 11



Wiring to Power Supply

⚠ THIS RANGE HOOD MUST BE PROPERLY GROUNDED. MAKE SURE THIS IS DONE BY QUALIFIED ELECTRICIAN IN ACCORDANCE WITH ALL APPLICABLE NATIONAL AND LOCAL ELECTRICAL CODES. BEFORE CONNECTING WIRES, SWITCH POWER OFF AT SERVICE PANEL AND LOCK SERVICE PANEL TO PREVENT POWER FROM BEING SWITCHED ON ACCIDENTALLY.

- If hood is operating normally, connect three wires (black, white and green) to house wires and cap with wire connectors.
- Store wires in the wiring box.

Ductwork Installation

4. Use steel pipe to connect the exhaust on the hood to the ductwork. Use duct tape to make all joints secure and air tight.

Duct Cover Installation

5. Mark the position of the Duct Cover-Mounting Bracket {F}. Use reference E from Table 2 and measurements on page 14-15. Attach and secure Duct Cover-Mounting Bracket {F} with two screws (provided). Refer to Figure 12. NOTE: Inner duct cover will cover the Duct Cover-Mounting Bracket.
6. Remove the Baffle Filters. Position the entire duct cover up onto the hood and secure with six (3/16" x 3/8") screws {H} from inside the hood towards the outer duct cover.
7. Secure the inner duct cover with two (3/16" x 3/8") screws {H} to the Duct Cover-Mounting Bracket {F}. Shown in Figure 13.

Install / Uninstall Accessories

8. Place baffle filters underneath the hood. (Figure 14)

Final Assembly

9. Turn power ON in control panel. Check all lights and fan operation.
10. Leave this Installation Instructions and Operation Manual for the homeowner.

Figure 12



Figure 13



Figure 14

