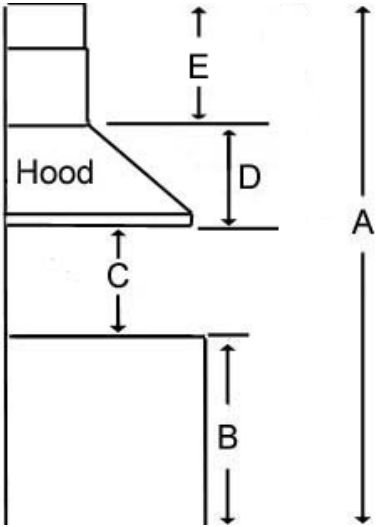


# INSTALLATION

PLEASE READ ENTIRE INSTRUCTIONS BEFORE PROCEEDING

## Calculation before Installation

To calculate installation, please refer to TABLE 1. (All calculation in inches.)

TABLE	
<p>A = Height of Floor to Ceiling B = Height of Floor to Counter Top (Standard: 36") C = Preferred Height of Counter Top to Hood Bottom 30" &amp; 36" Hood (Recommended 27" to 30") 48" Hood (Recommended 30" to 36") [(A - B) - (D + E)] D = Height of Hood E = Height of Duct Cover</p>	 <p>The diagram illustrates the vertical installation of a range hood. It shows a side view of the hood and its connection to a duct. Dimension A is the total height from the floor to the ceiling. Dimension B is the height from the floor to the counter top. Dimension C is the distance from the counter top to the bottom of the hood. Dimension D is the height of the hood itself. Dimension E is the height of the duct cover above the hood. The hood is labeled 'Hood'.</p>



## **SAFETY WARNING**

**HOOD MAY HAVE VERY SHARP EDGES; PLEASE WEAR PROTECTIVE GLOVES IF IT IS NECESSARY TO REMOVE ANY PARTS FOR INSTALLING, CLEANING OR SERVICING.**

**NOTE: BE CAREFUL WHEN USING ELECTRICAL SCREWDRIVER, DAMAGE TO THE HOOD MAY OCCUR.**

## Preparation before Installation

NOTE: TO AVOID DAMAGE TO YOUR HOOD, PREVENT DEBRIS FROM ENTERING THE VENT OPENING.

- ◆ Decide the location of the venting pipe from the hood to the outside. (Figure 1)
- ◆ A straight, short venting run will allow the hood to perform more efficiently.
- ◆ Try to avoid as many transitions, elbows, and long run as possible. This may reduce the performance of the hood.
- ◆ Temporarily wire the hood to test for proper operation before installing
- ◆ **Important: Peel protective film off the hood and the duct cover (if any).**
- ◆ If necessary, prepare back wall frame with cross framing lumber for secure installation. Refer to Table 1 and measurements on Page 12 to decide the level of the lumber. (Figure 2)
- ◆ Loosen hood-mounting brackets at the back of the hood, adjust brackets and tighten screws.
- ◆ If necessary, remove the rubber stand on the back of the hood. (Figure 3)

Figure 1

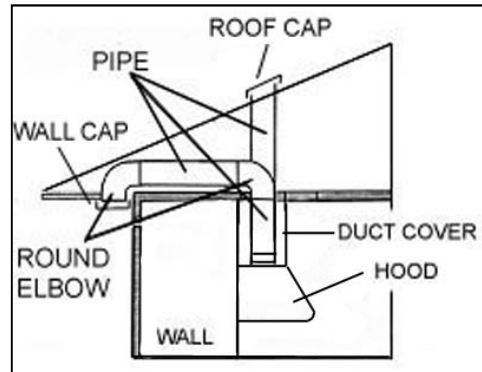


Figure 2

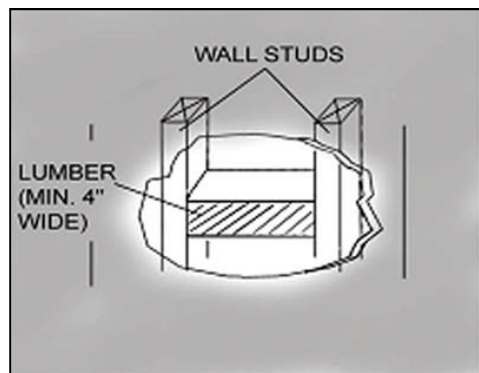
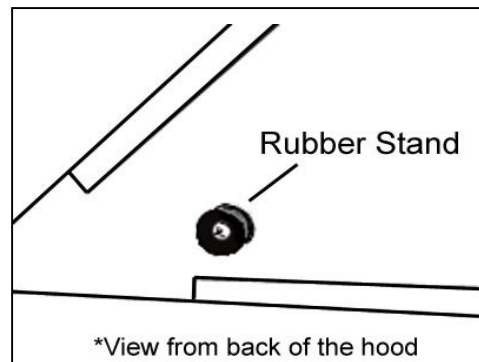


Figure 3



## Hood Installation

**⚠ CAUTION:** If required to move the cooking range to install the hood, turn off the power on an electric range at the main electrical box. **SHUT OFF THE GAS BEFORE MOVING A GAS RANGE.**

1. Using references in Table 1 and measurements on Page 12, mark the leveling locations point for hood-mounting bracket on the wall.
2. Secure two mounting screws (provided) to the wall, leaving an 1/8" space from the wall.
3. Align the hood-mounting bracket to the mounting screws on the wall and hang hood into place.
4. Secure and tighten the mounting screws.

**⚠ CAUTION:** MAKE SURE HOOD IS SECURE BEFORE RELEASING.

## Wiring to Power Supply

### **⚠ SAFETY WARNING**

**RISK OF ELECTRICAL SHOCK. THIS RANGE HOOD MUST BE PROPERLY GROUNDED. MAKE SURE THIS IS DONE BY SPECIALIZED ELECTRICIAN IN ACCORDANCE WITH ALL APPLICABLE NATIONAL AND LOCAL ELECTRICAL CODES. BEFORE CONNECTING WIRES, SWITCH POWER OFF AT SERVICE PANEL AND LOCK SERVICE PANEL TO PREVENT POWER FROM BEING SWITCHED ON ACCIDENTALLY.**

5. Connect the electrical wires.
  - Connect three wires (black, white and green) to house wires and cap with wire connectors. Connect according to color: black to black, white to white, and green to green as shown on Figure 4.
  - If necessary to hide the electrical wire connections, push wires back into the wiring box. Access the wire connections underneath the hood. To prevent any damage, make sure wires do not slip between motor or any moving parts.

Figure 4

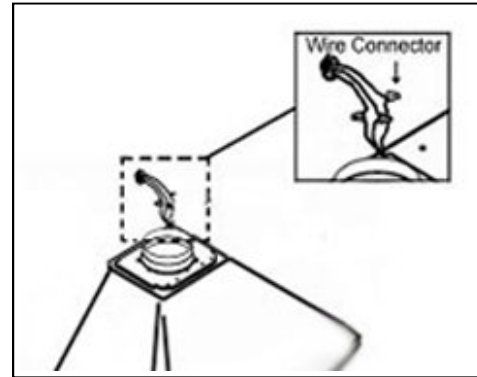


Figure 5

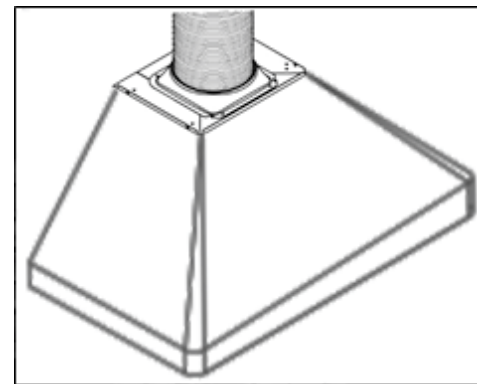
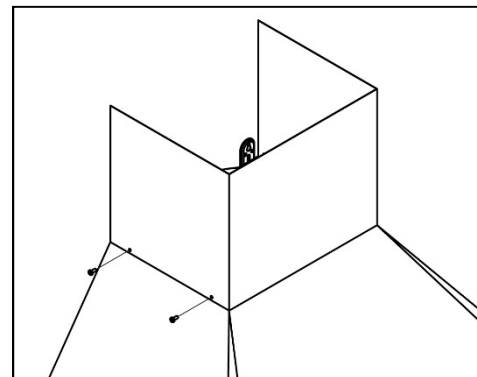


Figure 6



## Duct Cover Installation

6. Use 6" round steel pipe for 30" and 36" models or 8" round steel pipe for 48" models (follow building codes in your area) to connect the exhaust on the hood to the ductwork above. Use duct tape to make all joints secure and air tight. Refer Figure 5.
7. Use four 4mm x 8mm screws (included) to attach duct cover to hood. Refer to Figure 6.

## Install Accessories

8. Attach oil tunnel. Refer to Figure 7.
9. Refer to Figure 8. ① Slide the baffle filter into the hood. ② Push the baffle filter upward. ③ Slide forward. ④ Pull downward. ⑤ Fit into place.
10. Repeat until all baffle filters and spacers are resting against oil tunnel. Refer to Figure 8.

## Final Assembly

11. Turn power ON in control panel. Check all lights and fan operation.
12. Make sure to leave this manual for the homeowner.

Figure 7

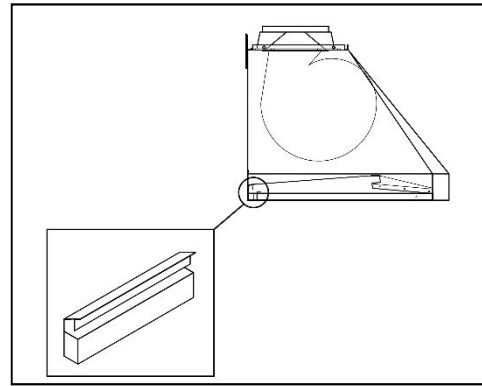


Figure 8

