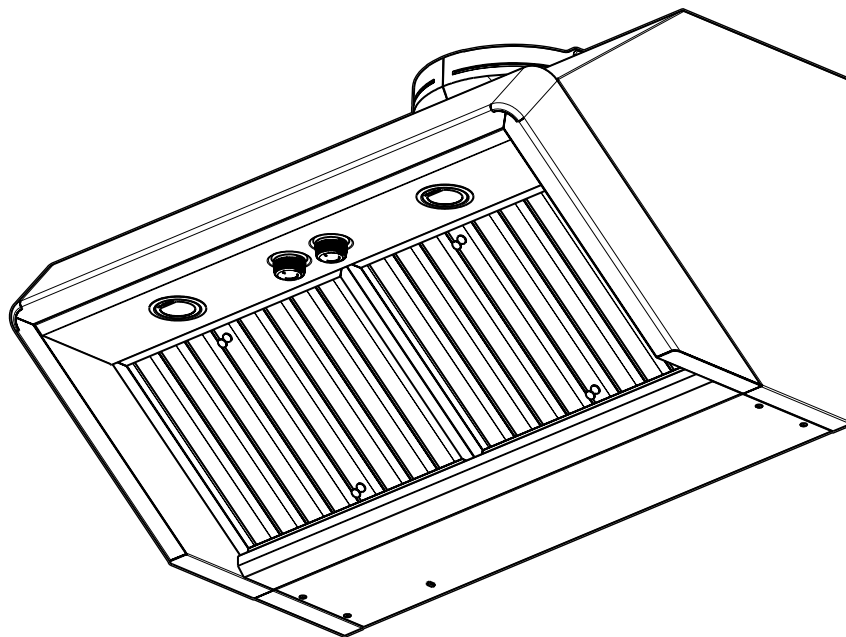


Use, Care, and Installation Guide
Guide d'utilisation, d'entretien et d'installation
Guía de instalación, uso y mantenimiento



READ AND SAVE THESE INSTRUCTIONS
LISEZ CES INSTRUCTIONS ET CONSERVEZ-LES
LEA Y GUARDE ESTAS INSTRUCCIONES

EN	Contents	page	2
FR	Sommaire	page	12
ES	Contenido	página	22

English

Contents

Important safety Notice.....	3
Electrical & Installation requirements	4
List of Materials.....	5
Parts supplied	5
Parts not supplied	5
Product Dimensions.....	5
Location Requirements.....	6
Venting Requirements.....	6
Installation	7
Make electrical connection.....	8
Complete Installation and check operation.....	9
Range hood use.....	9
Range hood care.....	10
Warranty	11

**APPROVED FOR RESIDENTIAL APPLIANCES
FOR RESIDENTIAL USE ONLY
READ AND SAVE THESE INSTRUCTIONS**

**PLEASE READ ENTIRE INSTRUCTIONS BEFORE
PROCEEDING.**

INSTALLATION MUST COMPLY WITH ALL LOCAL CODES.

IMPORTANT: Save these Instructions for the Local
Electrical Inspector's use.

INSTALLER: Please leave these Instructions with this unit
for the owner.

OWNER: Please retain these instructions for future
reference.

Safety Warning: Turn off power circuit at service panel and
lock out panel, before wiring this appliance.

Requirement: 120 V AC, 60 Hz. 15 or 20 A Branch Circuit

READ AND SAVE THESE INSTRUCTIONS

Important Safety Notice

CAUTION

FOR GENERAL VENTILATING USE ONLY. DO NOT USE TO EXHAUST HAZARDOUS OR EXPLOSIVE MATERIALS OR VAPOURS.

WARNING

TO REDUCE THE RISK OF FIRE, ELECTRIC SHOCK, OR INJURY TO PERSONS, OBSERVE THE FOLLOWING:

- A. Use this unit only in the manner intended by the manufacturer. If you have questions, contact the manufacturer.
- B. Before servicing or cleaning the unit, switch power off at service panel and lock service panel disconnecting means to prevent power from being switched on accidentally. When the service disconnecting means cannot be locked, securely fasten a prominent warning device, such as a tag, to the service panel.
- C. Installation work and electrical wiring must be done by qualified person(s) in accordance with all applicable codes & standards, including fire-rated construction.
- D. Sufficient air is needed for proper combustion and exhausting of gases through the flue (Chimney) of fuel burning equipment to prevent back-drafting. Follow the heating equipment manufacturers guideline and safety standards such as those published by the National Fire Protection Association (NFPA), the American Society for Heating, Refrigeration and Air Conditioning Engineers (ASHRAE), and the local code authorities.
- E. When cutting or drilling into wall or ceiling, do not damage electrical wiring and other hidden utilities.
- F. Ducted systems must always be vented to the outdoors.

CAUTION

To reduce risk of fire and to properly exhaust air, be sure to duct air outside - do not vent exhaust air into spaces within walls, ceilings, attics, crawl spaces, or garages.

WARNING

TO REDUCE THE RISK OF FIRE, USE ONLY METAL DUCT WORK.

Install this hood in accordance with all requirements specified.

WARNING

To reduce the risk of fire or electric shock, do not use this hood with any external solid state speed control device.

WARNING

TO REDUCE THE RISK OF A RANGE TOP GREASE FIRE.

- a) Never leave surface units unattended at high settings. Boilovers cause smoking and greasy spillovers that may ignite. Heat oils slowly on low or medium settings.
- b) Always turn hood ON when cooking at high heat or when flambeing food (i.e. Crepes suzette, cherries jubilee, peppercorn beef flambe').
- c) Clean ventilating fans frequently. Grease should not be allowed to accumulate on fan or filter.
- d) Use proper pan size. Always use cookware appropriate for the size of the surface element.

WARNING

TO REDUCE THE RISK OF INJURY TO PERSONS, IN THE EVENT OF A RANGE TOP GREASE FIRE, OBSERVE THE FOLLOWING:^a

- a) SMOTHER FLAMES with a close-fitting lid, cookie sheet, or other metal tray, then turn off the gas burner or the electric element. BE CAREFUL TO PREVENT BURNS. If the flames do not go out immediately, EVACUATE AND CALL THE FIRE DEPARTMENT.
- b) NEVER PICK UP A FLAMING PAN - you may be burned.
- c) DO NOT USE WATER, including wet dishcloths or towels - a violent steam explosion will result.
- d) Use an extinguisher **ONLY** if:
 - 1) You know you have a class ABC extinguisher, and you already know how to operate it.
 - 2) The fire is small and contained in the area where it started.
 - 3) The fire department is being called.
 - 4) You can fight the fire with your back to an exit.

^aBased on "Kitchen Fire Safety Tips" published by NFPA.

OPERATION

a. Always leave safety grills and filters in place. Without these components, operating blowers could catch onto hair, fingers and loose clothing.

The manufacturer declines all responsibility in the event of failure to observe the instructions given here for installation, maintenance and suitable use of the product. The manufacturer further declines all responsibility for injury due to negligence and the warranty of the unit automatically expires due to improper maintenance.

Electrical & Installation requirements

Electrical requirements

IMPORTANT

Observe all governing codes and ordinances.

It is the customer's responsibility:

- To contact a qualified electrical installer.
- To assure that the electrical installation is adequate and in conformance with National Electrical Code, ANSI/NFPA 70 — latest edition*, or CSA Standards C22.1-94, Canadian Electrical Code, Part 1 and C22.2 No.0-M91 - latest edition** and all local codes and ordinances.
- If codes permit and a separate ground wire is used, it is recommended that a qualified electrician determine that the ground path is adequate.
- Do not ground to a gas pipe.
- Check with a qualified electrician if you are not sure range hood is properly grounded.
- Do not have a fuse in the neutral or ground circuit.

IMPORTANT

- Save Installation Instructions for electrical inspector's use.
- The range hood must be connected with copper wire only.
- The range hood should be connected directly to the fused disconnect (Or circuit breaker) box through metal electrical conduit.
- Wire sizes must conform to the requirements of the National Electrical Code ANSI/NFPA 70 — latest edition*, or CSA Standards C22.1-94, Canadian Electrical Code Part 1 and C22.2 No. 0-M91 - latest edition** and all local codes and ordinances.
- A U.L.- or C.S.A.-listed conduit connector must be provided at each end of the power supply conduit (at the range hood and at the junction box).

Copies of the standards listed may be obtained from:

* National Fire Protection Association Batterymarch Park Quincy, Massachusetts 02269

** CSA International 8501 East Pleasant Valley Road Cleveland, Ohio 44131-5575

Before installing the hood

1. For the most efficient air flow exhaust, use a straight run or as few elbows as possible.

CAUTION: Vent unit to outside of building, only.

2. At least two people are necessary for installation.
3. Fittings material is provided to secure the hood to most types of walls/ceilings, consult a Qualified Installer, check if they perfectly fit with your cabinet/wall.
4. Do not use flex ducting.
5. COLD WEATHER installations should have an additional back draft damper installed to minimize backward cold air flow and a nonmetallic thermal break to minimize conduction of outside temperatures as part of the ductwork. The damper should be on the cold air side of the thermal break. The break should be as close as possible to where the ducting enters the heated portion of the house.
6. Make-Up air: Local building codes may require the use of make-up air systems when using ducted ventilation systems greater than specified CFM of air movement. The specified CFM varies from locale to locale. Consult your HVAC professional for specific requirements in your area.

NOTE:

Use the Range Hood models ETT136SS, ETT142SS and ETT148SS (Dual Blower Motor=1200CFM) above cooktops rated higher than 65,000 BTU and less than 108,000 BTU.

List of Materials

Removing the packaging

CAUTION!

Remove carton carefully, wear gloves to protect against sharp edges.

WARNING!

Remove the protective film covering the product before putting into operation.

Parts supplied

- Hood assembly with blower & light bulb already installed.
- Metal grease filter.
- Hardware bag with:
 - Use, care and installation guide
 - 2 - d5.3 x 20 mm metal washers
 - 4 - 6 x 80 mm screws
 - 4 - 3.5 x 9.5 mm mounting screws
 - 4 - 4.2 x 19 mm mounting screws
 - 2 - 10 x 50 mm wall anchors

Parts needed

- Home power supply cable
- ½" (12.7 mm) UL listed or CSA approved strain relief
- 3 UL listed wire connectors
- 1 wall or roof cap
- 10" round metal vent system

Parts not supplied

Optional Accessories

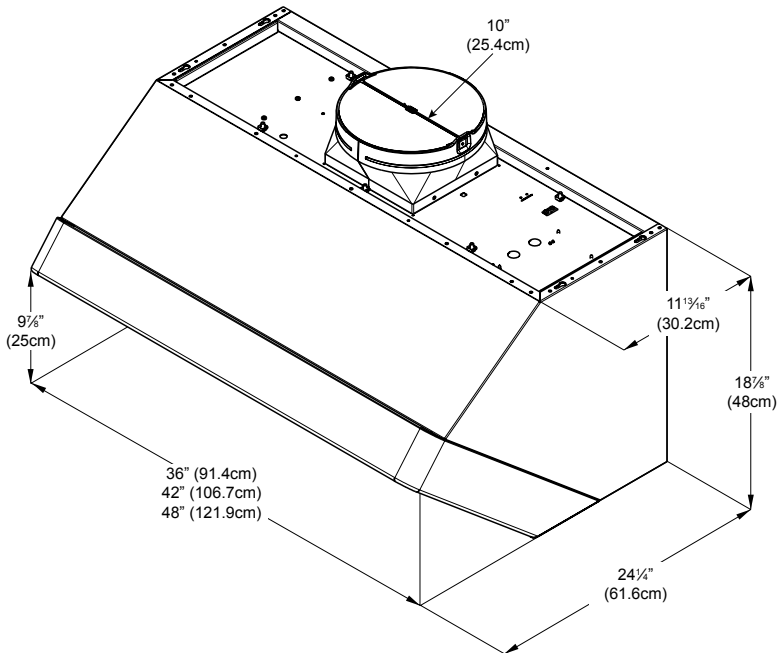
1. Duct Cover Kits

	36"	42"	48"
6" height	EXXCEK02	ECLCEK07	ECLCEK05
12" height	EXXCEK04	ECLCEK08	EXXCEK06

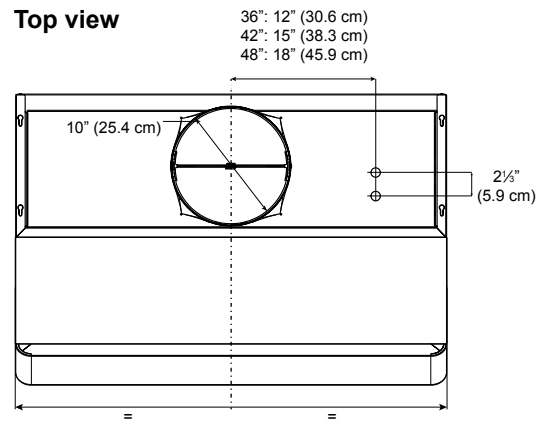
Tools/Materials required

- Level
- Drill with 1¼" (3.2 cm), ⅛" (3.2 mm), and ⅜" (7.9 mm) drill bits
- Pencil
- Wire stripper or utility knife
- Tape measure or ruler
- Pliers
- Caulking gun and weatherproof caulking compound
- Vent clamps
- Jigsaw or keyhole saw
- Flat-blade screwdriver
- Metal snips

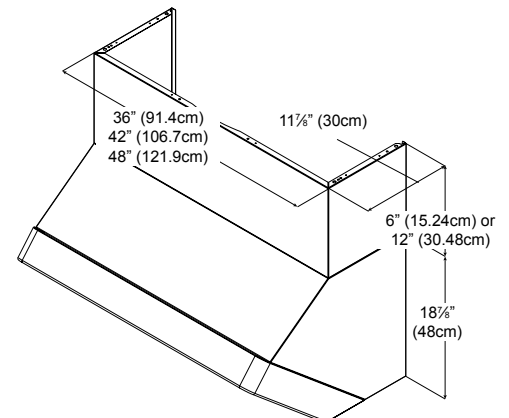
Product Dimensions



Top view



Duct cover view



Location Requirements

IMPORTANT: Observe all governing codes and ordinances. Have a qualified technician install the range hood. It is the installer's responsibility to comply with installation clearances specified on the model/serial rating plate. The model/serial rating plate is located behind the left filter on the rear wall of the vent hood.

Canopy hood location should be away from strong draft areas, such as windows, doors and strong heating vents.

Cabinet opening dimensions that are shown must be used. Given dimensions provide minimum clearance.

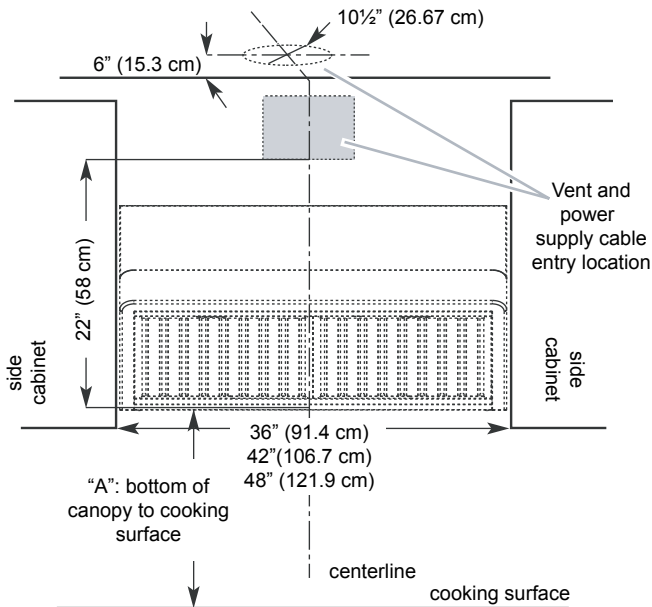
Grounded electrical outlet is required. See "Electrical Requirements" section.

The canopy hood is factory set for venting through the roof or wall. For non-vented (recirculating) installation see the installation instructions in this guide. Recirculation Kit is available from your dealer or an authorized parts distributor. All openings in ceiling and wall where canopy hood will be installed must be sealed.

For Mobile Home Installations

The installation of this range hood must conform to the Manufactured Home Construction Safety Standards, Title 24 CFR, Part 328 (formerly the Federal Standard for Mobile Home Construction and Safety, Title 24, HUD, Part 280) or when such standard is not applicable, the standard for Manufactured Home Installation 1982 (Manufactured Home Sites, Communities and Setups) ANSI A225.1/NFPA 501A, or latest edition, or with local codes.

Cabinet Dimensions



IMPORTANT:

Minimum distance "A": 18" (45.72 cm) from cooking surface.
Suggested maximum distance "A": 24" (61 cm) from cooking surface.

Venting Requirements

(Ducted models only)

- Vent system must terminate to the outdoors, except for nonvented (recirculating) installations.
- Do not terminate the vent system in an attic or other enclosed area.
- Do not use 6" (15.2 cm) laundry-type wall cap.
- Use metal vent only. Rigid metal vent is recommended. Plastic or metal foil vent is not recommended.
- The length of vent system and number of elbows should be kept to a minimum to provide efficient performance.

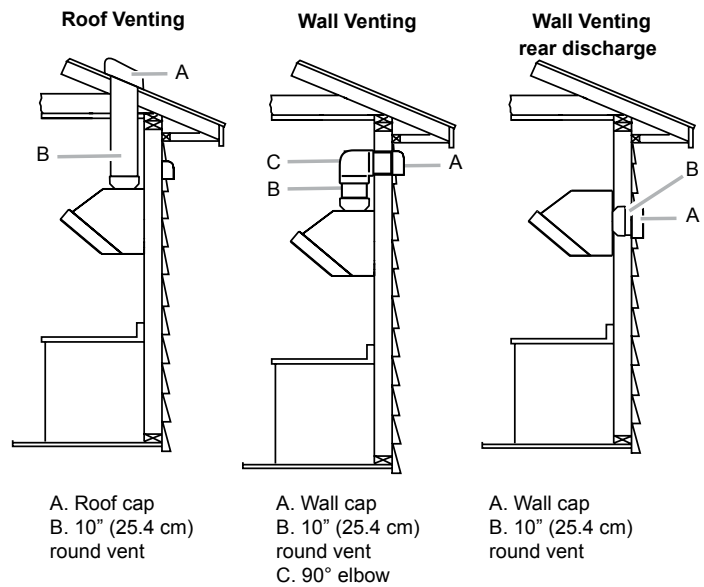
For the most efficient and quiet operation:

- Use no more than three 90° elbows.
- Make sure there is a minimum of 24" (61 cm) of straight vent between the elbows if more than 1 elbow is used.
- Do not install 2 elbows together.
- Use clamps to seal all joints in the vent system.
- The vent system must have a damper. If the roof or wall cap has a damper, do not use the damper supplied with the range hood.
- Use caulking to seal exterior wall or roof opening around the cap.
- The size of the vent should be uniform.

Venting Methods

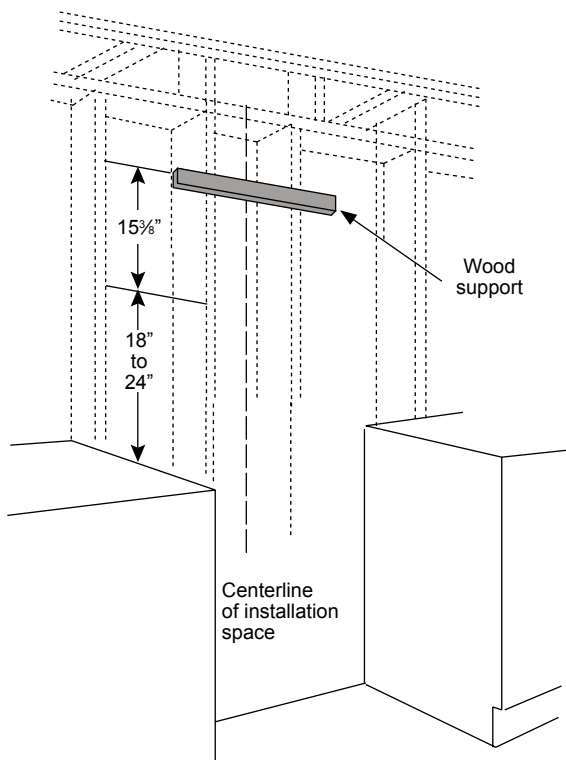
This canopy hood is factory set for venting through the roof or wall. A 10" (25.4 cm) round vent system is needed for installation (not included). The hood exhaust opening is 10" (25.4 cm) round.

NOTE: Flexible vent is not recommended. Flexible vent creates back pressure and air turbulence that greatly reduce performance. Vent system can terminate either through the roof or wall.



Installation

- If possible, disconnect and move freestanding or slide-in range from cabinet opening to provide easier access to rear wall. Otherwise put a thick, protective covering over countertop, cooktop or range to protect from damage and debris. Select a flat surface for assembling the unit. Cover that surface with a protective covering and place all canopy hood parts and hardware in it.
- Determine and mark the centerline on the wall where the canopy hood will be installed.
- Select a mounting height between a minimum of 18" (45.72 cm) and a suggested maximum of 24" (61 cm), above the cooking surface and the bottom of the range hood and mark a horizontal reference line on the wall.
- Remove the wood support from the back of the range hood by loosening the 2 screws from the inside. Locate and level the top of the wood support 15 3/8" (39.1 cm) above the marked horizontal line and centered on the vertical centerline. Using 2 - 6 x 80 mm screws, install wood support so that it is screwed into at least 2 vertical studs.



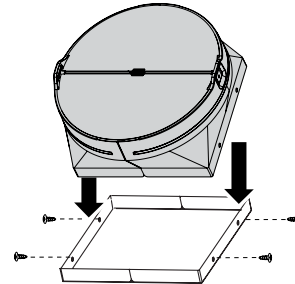
NOTE: The screws provided for mounting this hood must be fastened into solid wood, do not fasten into sheet rock only.

Installing the Duct Cover Kits

Attach the full-width duct cover to the top of the range hood with the screws provided with duct covers. The duct cover must be attached to the top of the range hood before mounting the range hood to the wall. For information on ordering the optional duct cover, see "Optional Accessories" section.

Complete preparation

1. Determine and make all necessary cuts in the wall for the vent system. Install the vent system before installing the range hood. See the "Venting Requirements" section.
2. Determine the location where the power supply cable will be run through the wall.
3. Drill a 1 1/4" (3.2 cm) hole at this location.
4. Pull enough power supply cable through the wall to allow for easy connection to the terminal box.
5. Install the 10" (25.4 cm) square x 10" (25.4 cm) round vent transition with damper to top of the range hood using 4 - 3.5 x 9.5 mm screws.



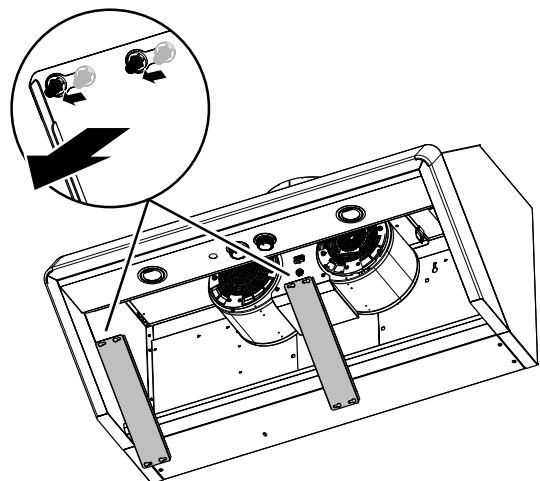
6. Remove terminal box cover and set aside.
7. Remove knockout from the top of the vent hood and install a UL listed or CSA approved 1/2" strain relief. See "Make Electrical Connection" section.
8. Place the range hood near its mounting position and run the power supply cable through the strain relief into terminal box (enough to make connection).
9. Tighten the strain relief screws.

Install Range Hood

The hood attaches to the wall by the 2 mounting screws in the wood support mounted to the wall.

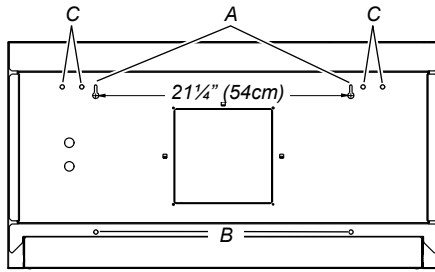
1. Remove metal grease filters. See the "Range Hood Care" section.

NOTE: Only for the ETT142SS model, remove the lateral panels as shown the picture below.

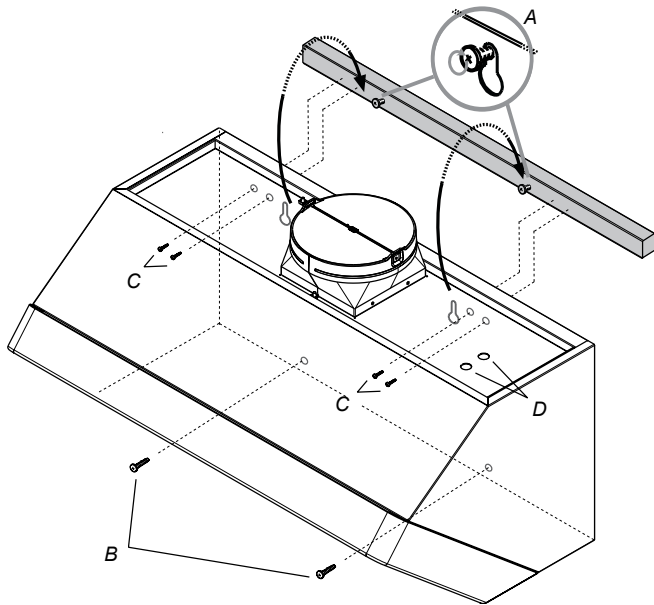


- Using 2 or more people, hang the range hood on the wall by placing the slotted holes in the range hood back over the 2 screws mounted to the wood support mounted to the wall.

NOTE: If your installation uses the optional duct cover, the vent system needs to be connected to the hood and the duct cover mounted to the top of the range hood before tightening the mounting screws.



Rear View
 A. Key hole slots
 B. Security lower key holes (2 - 6 x 80 mm)
 C. Security key holes (4 - 4.2 x 19 mm)
 D. Knockouts



- Adjust depth of original mounting screws in the wood support until they protrude $\frac{1}{4}$ " forward. This $\frac{1}{4}$ " gap will provide clearance to hang the hood (A).
- Push the range hood up into the narrow slots, align the bottom of the hood to the horizontal line, level the hood, and tighten the 2 mounting screws.
- Mark 2 lower mounting hole locations. Drill $\frac{1}{8}$ " pilot holes if the holes are located into wood. If holes are not located into wood, remove the hood and drill two $\frac{3}{8}$ " pilot holes and insert 10 x 50 mm wall anchors. Remount the hood, level, and tighten the upper screws. Install 2 - 6 x 80 mm screws and 2 - flat washers into the lower mounting anchors and tighten (B).
- Install 4 - 4.2 x 19 mm screws through the back of the hood into the wood support and tighten (C).
- Connect vent system to hood. Seal all joints with clamps.
- If your installation uses the optional duct cover, mount it to the top of the range hood following the instructions supplied with the duct cover.

Make Electrical Connection

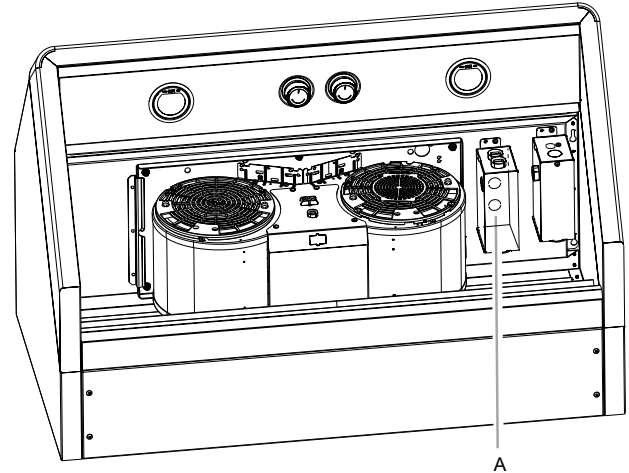
WARNING: Electrical Shock Hazard

Disconnect power before servicing.

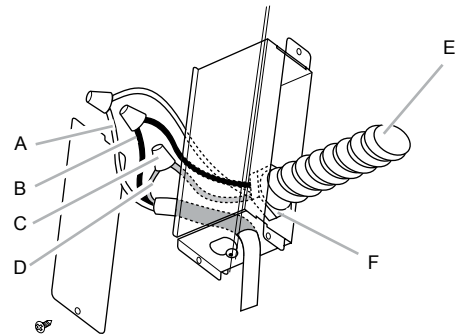
Replace all parts and panels before operating.

Failure to do so can result in death or electrical shock.

- Disconnect power.
- Locate junction box inside of the range hood.



A. Knockout in canopy back into terminal box

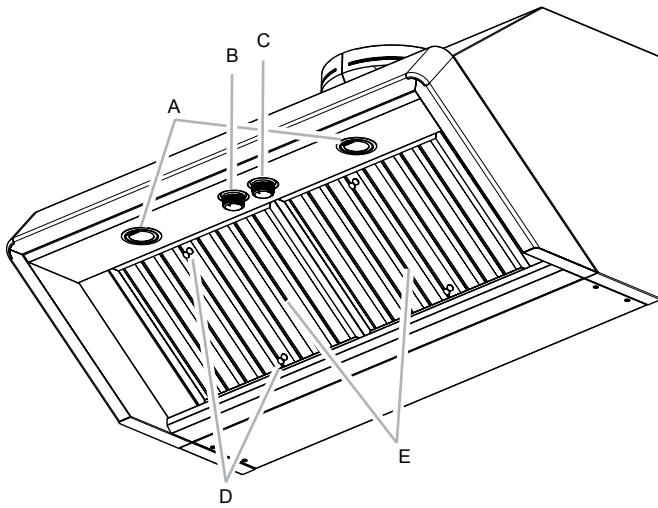


A. White wires
 B. Black wires
 C. UL listed wire connectors
 D. Green, Bare or Yellow/Green wires
 E. Home power supply
 F. UL listed or CSA approved $\frac{1}{2}$ " strain relief

- Use UL listed wire connectors and connect black wires (B) together.
- Use UL listed wire connectors and connect white wires (A) together.
- Connect green (or bare) ground wire from home power supply to the green/yellow ground wire (D) in terminal box using UL listed wire connectors.
- Install terminal box cover.
- Check that all light bulbs are secure in their sockets.
- Reconnect power.

Complete Installation and Check Operation

1. Install grease filters. See the "Range Hood Care" section.
2. Check operation of the range hood blower and lights. See the "Range Hood Use" section.

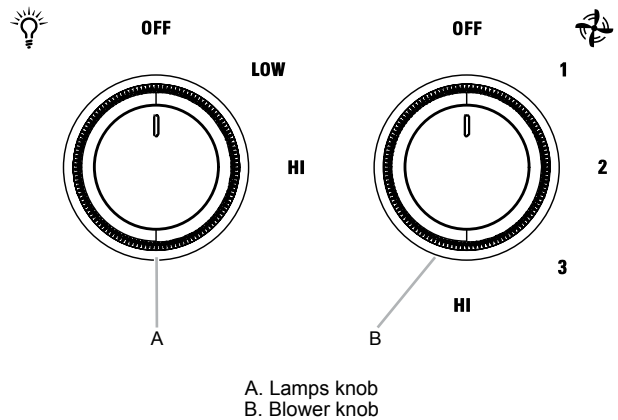


- | | |
|------------------|-------------------|
| A. Halogen lamps | D. Filter handles |
| B. Lamps knob | E. Grease filter |
| C. Blower knob | |

3. If range hood does not operate, check to see whether a circuit breaker has tripped or a household fuse has blown. Disconnect power supply and check that the wiring is correct.
NOTE: To get the most efficient use from your new range hood, read the "Range Hood Use" section.

Range hood use

The range hood is designed to remove smoke, cooking vapors and odors from the cooktop area. For best results, start the hood before cooking and allow it to operate several minutes after the cooking is complete to clear all smoke and odors from the kitchen. The hood controls are located on the center side of the range hood.



- A. Lamps knob
B. Blower knob

Operating the lights

1. Turn the light switch to the "LOW" position to turn the range hood lights On.
2. Turn the light switch to the "HI" position to turn the range hood lights at its higher intensity.
3. Turn the light switch to the "OFF" position to turn the range hood lights Off.

Operating the blower

1. Turn the blower switch at "1" to turn the range hood on.
2. Turn the blower switch to the desired speed position.
3. Turn the blower switch to the "HI" position to turn the range hood on High.
4. Turn the blower switch to the "OFF" position to turn the range hood blower Off.

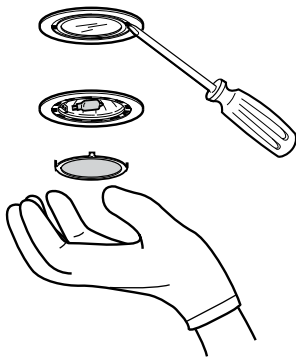
Range hood care

Replacing an Halogen Lamp

Turn off the range hood and allow the halogen lamp to cool. To avoid damage or decreasing the life of the new lamp, do not touch lamp with bare fingers. Replace lamp, using tissue or wearing cotton gloves to handle lamp.

If new lights do not operate, make sure the lamps are inserted correctly before calling service.

1. Disconnect power.
2. Use a flat-blade screwdriver and gently pry the light cover loose.



3. Remove the lamp and replace with a 120-volt, 40-watt maximum, halogen lamp made for a G-9 base.
4. Replace the light cover.
5. Reconnect power.

Cleaning

Exterior surfaces:

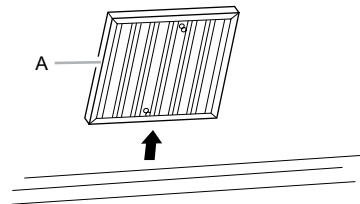
To avoid damage to the exterior surface, do not use steel wool or soap-filled scouring pads. Rub in direction of the grain line to avoid scratching the surface.

Always wipe dry to avoid water marks.

- Stainless Steel Cleaner and Polish.
- Mild liquid detergent and water.
- Wipe with damp soft cloth or nonabrasive sponge, then rinse with clean water and wipe dry.

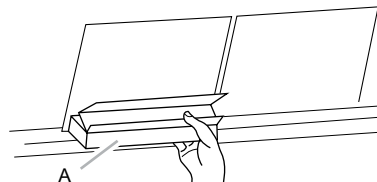
Metal Filters and Drip Trays:

1. Use 2 hands to remove filters.
2. Grasp filter handles, pull toward the front of range hood and pull down on the rear handle to remove. Repeat for each filter.



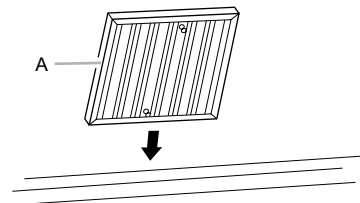
A. Grease filter

3. Remove grease drip tray.



A. Drip tray

4. Wash metal filters and grease trays as needed in dishwasher or hot detergent solution to clean.
5. Replace grease drip tray.
6. Reinstall filters, grasp filter handles and place front edge of filter into the hood.
7. Push up on the back handle and set rear of filter into the drip tray to secure. Repeat for each filter.



A. Grease filter

WARRANTY

ELICA North America

TWO-YEARS LIMITED WARRANTY

TO OBTAIN SERVICE UNDER WARRANTY

Owner must present proof of original purchase date. Please keep a copy of your dated proof of purchase (sales slip) in order to obtain service under warranty.

PARTS AND SERVICE WARRANTY

For the period of two (2) years from the date of the original purchase, Elica will provide free of charge, non consumable parts or components that failed due to manufacturing defects. During these two (2) years limited warranty, Elica will also provide free of charge, all labor and in-home service to replace any defective parts.

WHAT IS NOT COVERED

- Damage or failure to the product caused by accident or act of God, such as, flood, fire or earthquake.
- Damage or failure caused by modification of the product or use of non-genuine parts.
- Damage or failure to the product caused during delivery, handling or installation.
- Damage or failure to the product caused by operator abuse.
- Damage or failure to the product caused by dwelling fuse replacement or resetting of circuit breakers.
- Damage or failure caused by use of product in a commercial application.
- Service trips to dwelling to provide use or installation guidance.
- Light bulbs, metal or carbon filters and any other consumable part.
- Normal wear of finish.
- Wear to finish due to operator abuse, improper maintenance, use of corrosive or abrasive cleaning products/pads and oven cleaner products.

WHO IS COVERED

This warranty is extended to the original purchaser for products purchased for ordinary residential use in North America (Including the United States, Guam, Puerto Rico, US Virgin Islands & Canada).

This warranty is non-transferable and applies only to the original purchaser and does not extend to subsequent owners of the product. This warranty is made expressly in lieu of all other warranties, expressed or implied, including, but not limited to any implied warranty of merchantability or fitness for a particular purpose and all other obligations on the part of Elica North America, provided, however, that if the disclaimer of implied warranties is ineffective under applicable law, the duration of any implied warranty arising by operation of law shall be limited to two (2) years from the date of original purchase at retail or such longer period as may be required by applicable law.

This warranty does not cover any special, incidental and/or consequential damages, nor loss of profits, suffered by the original purchaser, its customers and/or the users of the Products.

WHO TO CONTACT

To obtain Service under Warranty or for any Service Related Question

Please Call:

- Elica North America Authorized Service at (888) 732-8018

Or by Writing To:

- Elica North America, Attention Customer Service
6658 156th Avenue SE,
Bellevue, WA 98006 USA
infoamericas@elica.com

Français

Sommaire

Avis de sécurité important.....	13
Exigences électriques et d'installation.....	14
Outils et pièces.....	15
Pièces fournies	15
Pièces non fournies.....	15
Dimensions et Dégagement	15
Exigences d'emplacement.....	16
Exigences concernant l'évacuation.....	16
Installation	17
Raccordement électrique.....	18
Achever l'installation et vérifier le fonctionnement.....	19
Utilisation de la hotte.....	19
Entretien de la hotte de cuisinière.....	20
Garantie	21

APPROUVÉ COMME APPAREIL DOMESTIQUE POUR UNE UTILISATION RÉSIDENIELLE SEULEMENT LISEZ CES INSTRUCTIONS ET CONSERVEZ-LES

VEUILLEZ LIRE CES INSTRUCTIONS AU COMPLET AVANT DE COMMENCER.

L'INSTALLATION DE L'APPAREIL DOIT RESPECTER TOUS LES CODES EN VIGUEUR.

IMPORTANT: Conservez ces instructions afin de pouvoir les remettre à l'inspecteur-électricien de votre région.

INSTALLATEUR: Veuillez laisser ces instructions avec l'appareil pour le propriétaire.

PROPRIÉTAIRE: Veuillez conserver ces instructions pour pouvoir vous y référer plus tard.

Avertissement de sécurité: Coupez l'alimentation du circuit dans le panneau électrique et verrouillez le panneau avant de raccorder les fils de cet appareil.

Exigence: 120 V c.a., 60 Hz circuit de dérivation de 15 V c.a., 20 Hz, de 15 ou 20 A.

LIRE ET CONSERVER CES INSTRUCTIONS

Avis de sécurité important

ATTENTION

UTILISER CET APPAREIL À DES FINS DE VENTILATION GÉNÉRALE SEULEMENT. NE PAS UTILISER CET APPAREIL POUR ÉVACUER DES MATÉRIEAUX OU DES VAPEURS DANGEREUX OU EXPLOSIFS.

AVERTISSEMENT

POUR RÉDUIRE LES RISQUES D'INCENDIE, DE CHOC ÉLECTRIQUE ET DE BLESSURE, RESPECTER LES DIRECTIVES SUIVANTES :

- A. Utiliser cet appareil uniquement aux fins prévues par le fabricant. Si vous avez des questions à propos de l'appareil, communiquez avec le fabricant.
- B. Avant de faire l'entretien de l'appareil ou de le nettoyer, coupez l'alimentation dans le panneau électrique et verrouillez le panneau en bloquant le dispositif permettant d'empêcher d'activer l'alimentation accidentellement. S'il n'est pas possible de verrouiller l'accès au panneau, fixez une étiquette très voyante au panneau électrique.
- C. Une personne qualifiée doit effectuer l'installation et le câblage des fils électriques en conformité avec tous les codes et toutes les normes, y compris la cote de résistance au feu.
- D. Il est important de prévoir suffisamment d'air pour assurer une bonne combustion de l'équipement de chauffe et l'évacuation adéquates des gaz par le conduit de cheminé afin de prévenir les refoulements d'air. Respectez les directives et les normes de sécurité des fabricants de l'équipement de chauffage, comme celles publiées par la National Fire Protection Association (NFPA), la American Society for Heating, Refrigeration and Air Conditioning Engineers (ASHRAE) et le code des autorités de votre région.
- E. Au moment de couper ou de percer un mur ou un plafond, assurez-vous de ne pas endommager la filerie électrique ou tout autre accès à un service public.
- F. Il faut toujours évacuer à l'extérieur les systèmes à conduit.

ATTENTION

Pour réduire les risques d'incendie et évacuer l'air correctement, assurez-vous que le conduit mène à l'extérieur; il ne faut pas évacuer l'air dans l'espace entre les murs, dans les plafonds, dans les greniers, les vides sanitaires ou les garages.

AVERTISSEMENT

POUR RÉDUIRE DES RISQUES D'INCENDIE, UTILISEZ UNIQUEMENT DES CONDUITS EN MÉTAL.

Installez cette hotte en respectant toutes les exigences mentionnées.

AVERTISSEMENT

Pour réduire les risques d'incendie et de choc électrique, n'utilisez pas cette hotte avec un contrôleur de vitesse à semi-conducteurs.

AVERTISSEMENT

POUR RÉDUIRE LES RISQUES D'INCENDIE DE GRAISSE SUR LES CUISINIÈRES.

- a) Ne laissez jamais la cuisinière sans surveillance lorsqu'elle est réglée à une haute température. Les débordements par bouillonnement causent de la fumée et des débordements de gras qui peuvent s'enflammer. Faites chauffer l'huile lentement, à une température basse ou moyenne.
- b) Faites toujours fonctionner la hotte lorsque vous utilisez la cuisinière à une haute température ou que vous faites flamber des aliments (P. ex. : crêpes Suzette, cerises jubiléées, boeuf au poivre flambé).
- c) Nettoyez les hélices de ventilation fréquemment. Il ne faut pas que la graisse s'accumule sur les filtres ou les hélices.
- d) Utilisez le bon format de casserole. Utilisez toujours un chaudron de taille approprié à l'élément de la cuisinière.

AVERTISSEMENT

POUR ÉVITER DE BLESSER QUELQU'UN LORS D'UN INCENDIE DE GRAISSE SUR LA CUISINIÈRE, SUIVRE LES CONSEILS SUIVANTS: ^a

- a) ÉTOUFFER LES FLAMMES avec un couvercle aux dimensions de la taque de cuisson, une tôle à biscuit ou tout autre plateau métallique, puis couper le gaz ou l'alimentation électrique de la cuisinière. FAIRE ATTENTION A NE PAS SE BRÛLER. Si les flammes ne s'éteignent pas immédiatement, QUITTER LA PIÈCE ET APPELER LES POMPIERS.
- b) NE JAMAIS PRENDRE EN MAIN UNE CASSEROLE EN FEU, vous pourriez vous blesser.
- c) NE PAS UTILISER D'EAU, y compris les essuies de vaisselle ou les serviettes humides – une violente explosion due à la vapeur formée pourrait survenir.
- d) Utiliser un extincteur SEULEMENT si:
 - 1) Vous êtes sûr d'avoir un extincteur de classe ABC que vous savez utiliser.
 - 2) Le feu est petit et confiné à la zone où il s'est formé.
 - 3) Les pompiers ont été appelés.
 - 4) Vous pouvez lutter contre le feu avec une sortie derrière vous.

^a Recommandations tirées des conseils de sécurité en cas d'incendie de cuisine publiés par la NFPA.

MODE OPÉRATOIRE

a. Toujours laisser les grilles de sécurité et les filtres à leur place. Sans la présence de ces derniers, les parties aspirantes pourraient attirer les cheveux, les doigts ou les vêtements.

Le fabricant décline toute responsabilité si les informations détaillées dans ce manuel pour l'installation, l'entretien et l'utilisation adéquate du produit ne sont pas observées. Le fabricant décline en outre toute responsabilité pour d'éventuelles blessures dues à des négligences; en outre, la garantie de l'appareil sera annulée suite à des conditions d'entretien inappropriées. Cet appareil est fabriqué pour un usage interne. Ne pas utiliser cet appareil à l'extérieur.

Exigences électriques et d'installation

Spécifications électriques

IMPORTANT

Respectez tous les codes et les ordonnances en vigueur.

Le client a la responsabilité de:

Contactez un électricien-installateur.

Vérifier que l'installation électrique est adéquate et conforme avec le Code national de l'électricité, ANSI/NFPA 70 (la plus récente édition*), ou les normes C22.1-94, Code canadien de l'électricité, Partie 1 et C22.2 No.0-M91 (La plus récente édition**) de la CSA, ainsi que tous les codes et les ordonnances de votre région.

Si le code le permet et que vous utilisez un fil de mise à la terre distinct, il est recommandé de faire vérifier le chemin du fil par un électricien.

Ne pas mettre l'appareil à la terre sur une conduite de gaz.

Consultez un électricien qualifié si vous n'êtes pas certain que la hotte est mise à la terre correctement.

N'installez pas un fusible dans le circuit neutre ou le circuit de mise à la terre.

IMPORTANT

Conservez ces instructions afin de pouvoir les remettre à l'inspecteur-électricien.

La hotte doit être câblée uniquement à l'aide de fils de cuivre.

Il faut raccorder la hotte directement à une boîte à fusible ou à un disjoncteur par l'entremise d'une canalisation électrique en métal.

Le calibre de fil doit être conforme aux exigences du Code national de l'électricité, ANSI/NFPA 70 (La plus récente édition*), ou les normes C22.1-94, Code canadien de l'électricité, Partie 1 et C22.2 0-M91 (La plus récente édition**) de la CSA, ainsi que tous les codes et les ordonnances de votre région.

Il faut prévoir un connecteur de canalisation approuvé par l'UL ou la CSA à chaque extrémité de la canalisation d'alimentation (À la hotte et à la boîte de jonction).

Vous pouvez obtenir un exemplaire des normes indiquées en vous adressant à :

* La National Fire Protection Association, Batterymarch Park
Quincy, Massachusetts, 02269

** La CSA International, 8501 East Pleasant Valley Road,
Cleveland, Ohio, 44131-5575

Avant d'installer la hotte

1. Pour assurer la ventilation la plus efficace possible, installez la conduite en ligne droite ou avec le moins de coudes possibles.
ATTENTION: La sortie de la conduite de ventilation doit donner sur l'extérieur.
2. Deux personnes sont nécessaires pour effectuer l'installation.
3. La quincaillerie fournie permet de fixer la hotte à la plupart des murs et des plafonds; consultez un installateur qualifié pour vous assurer que la quincaillerie fournie est adaptée à votre type de mur ou d'armoire.
4. N'utilisez pas de conduit flexible.
5. Dans le cas des endroits sujets aux TEMPÉRATURES FROIDES, il faut installer un clapet de contre-tirage supplémentaire afin de minimiser le retour d'air froid et un isolant thermique non métallique afin de minimiser la conduction de la température extérieure dans le conduit. Il faut placer le clapet du côté de l'air froid de l'isolant thermique. L'isolant doit être placé le plus près possible de l'endroit où le conduit entre dans la partie chauffée de la maison.
6. Air d'appoint : Le code du bâtiment de votre région peut exiger l'utilisation d'un système d'air d'appoint si vous utilisez un système de ventilation à conduit dont le mouvement d'air dépasse un certain nombre de CFM. Le nombre de pi³/min varie d'une région à l'autre. Consultez un professionnel de CVC pour connaître les exigences précises de votre région.

ATTENTION

Enlever délicatement le carton, Porter des gants pour se protéger des bords coupants.

AVERTISSEMENT

Utilisez les modèles d' Hotte ETT136SS, ETT142SS et ETT148SS (Dual Moteur du ventilateur = 1200CFM) seulement ci-dessus les tables de cuisson nominale supérieure à 65 000 BTU and less than 108.000 BTU.

Outils et pièces

Enlever l'emballage

ATTENTION

Enlever délicatement le carton, Porter des gants pour se protéger des bords coupants.

AVERTISSEMENT

Enlever le film de protection recouvrant le produit avant de commencer l'opération.

Pièces fournies

- Auvent de hotte avec ventilateur et lampes installés.
- Filtre(s) à graisse.
- Sac de matériel avec:
 - Guide et l'utilisation d'installation
 - 2 - rondelles métalliques de d5.3 x 20 mm
 - 4 - vis de 6 x 80 mm.
 - 4 - vis de montage de 3.5 x 9.5 mm.
 - 4 - vis de montage de 4.2 x 19 mm.
 - 2 - pièces d'ancrage mural de 10 x 50 mm

Pièces nécessaires

- Câble d'alimentation électrique du domicile
- Serre-câble de 1/2" (12,7 mm) (homologation UL ou CSA)
- 3 connecteurs de fils homologués UL
- 1 bouche de décharge (décharge à travers le mur ou à travers le toit)
- Circuit d'évacuation métallique de 10"

Pièces non fournies

Accessoires en option

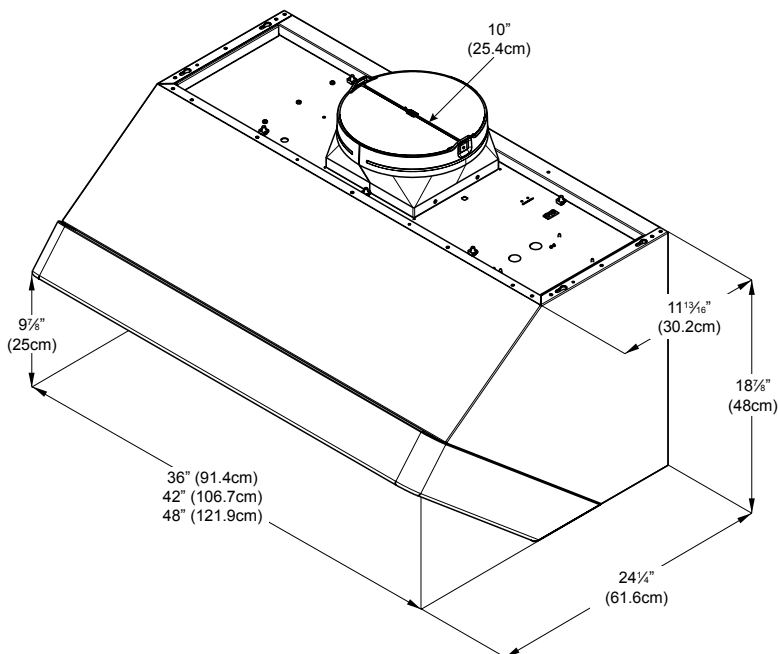
1. Conduit de cheminée

	36"	42"	48"
6" hauteur	EXXCEK02	ECLCEK07	ECLCEK05
12" hauteur	EXXCEK04	ECLCEK08	EXXCEK06

Outils nécessaires

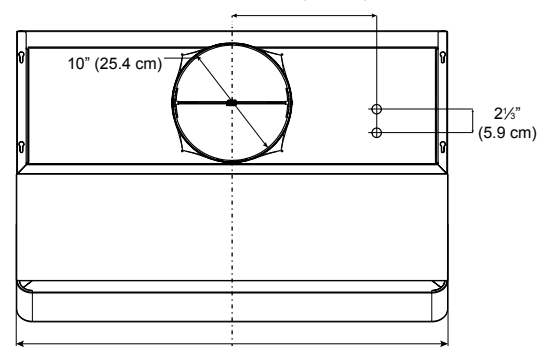
- Niveau
- Perceuse dans foret du 1 1/4" (3.2 cm), 1/8" (3.2 mm), et 5/16" (7.9 mm)
- Crayon
- Pince à dénuder ou couteau utilitaire
- Mètre-ruban ou règle
- Pince
- Pistolet à calfeutrage et composé de calfeutrage résistant aux intempéries
- Brides de conduit
- Scie sauteuse ou scie à guichet
- Tournevis à lame plate
- Cisaille de ferblantier
- Tournevis Phillips

Dimensions et Dégagement

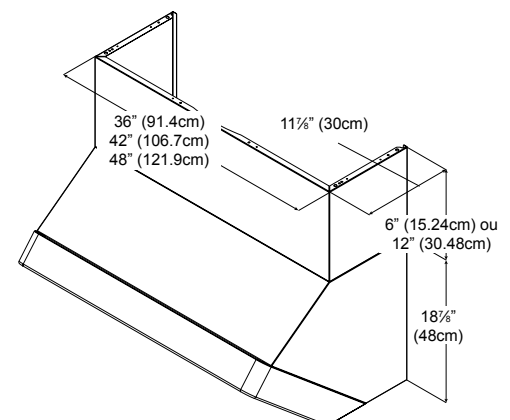


Vue de dessus

36": 12" (30.6 cm)
42": 15" (38.3 cm)
48": 18" (45.9 cm)



Vue avec conduit de cheminée



Exigences d'emplacement

IMPORTANT: Observer les dispositions de tous les codes et règlements en vigueur.

Confier l'installation de la hotte à un technicien qualifié. C'est à l'installateur qu'incombe la responsabilité de respecter les distances de séparation spécifiées sur la plaque signalétique de l'appareil. La plaque signalétique est située à l'intérieur de la hotte, sur la paroi arrière.

On doit toujours installer la hotte à distance des sources de courant d'air (fenêtres, portes et événements de chauffage puissants).

Respecter les dimensions indiquées pour les ouvertures à découper dans les placards. Ces dimensions tiennent compte des valeurs minimales des dégagements de séparation.

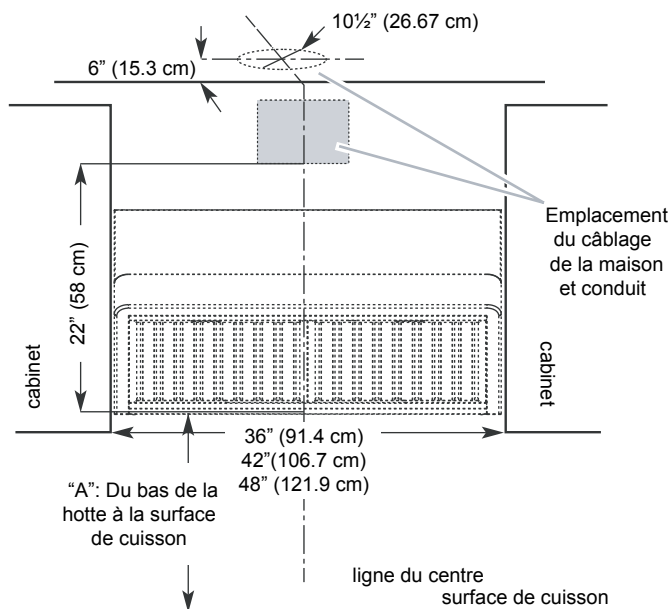
Cette hotte a été configurée à l'usine pour une décharge à travers le toit ou à travers le mur.

Assurer l'étanchéité au niveau de chaque ouverture découpée dans le plafond ou le mur pour l'installation de la hotte de cuisinière.

Installation dans une résidence mobile

L'installation de cette hotte doit satisfaire aux exigences de la norme Manufactured Home Construction Safety Standards, Titre 24 CFR, partie 328 (anciennement Federal Standard for Mobile Home Construction and Safety, titre 24, HUD, partie 280); lorsque cette norme n'est pas applicable, l'installation doit satisfaire aux critères de la plus récente édition de la norme Manufactured Home Installation 1982 (Manufactured Home Sites, Communities and Setups) ANSI A225.1/ NFPA 501A, ou des codes et règlements locaux.

Cabinet Dimensions



IMPORTANT:

Valeur minimale de la distance "A" : 18" (45,7 cm).

Valeur maximale suggérée pour la distance "A" : 24" (61 cm).

Exigences concernant l'évacuation

- Le système d'évacuation doit décharger l'air à l'extérieur.
- Ne pas terminer le système d'évacuation dans un grenier ou dans un autre espace fermé.
- Ne pas utiliser une bouche de décharge murale de 4" (10,2 cm) normalement utilisée pour un équipement de buanderie.
- Utiliser un conduit métallique uniquement. Un conduit en métal rigide est recommandé. Ne pas utiliser un conduit de plastique ou en feuille métallique.
- La longueur du système d'évacuation et le nombre de coudes doit être réduit au minimum pour fournir la meilleure performance.

Pour un fonctionnement efficace et silencieux:

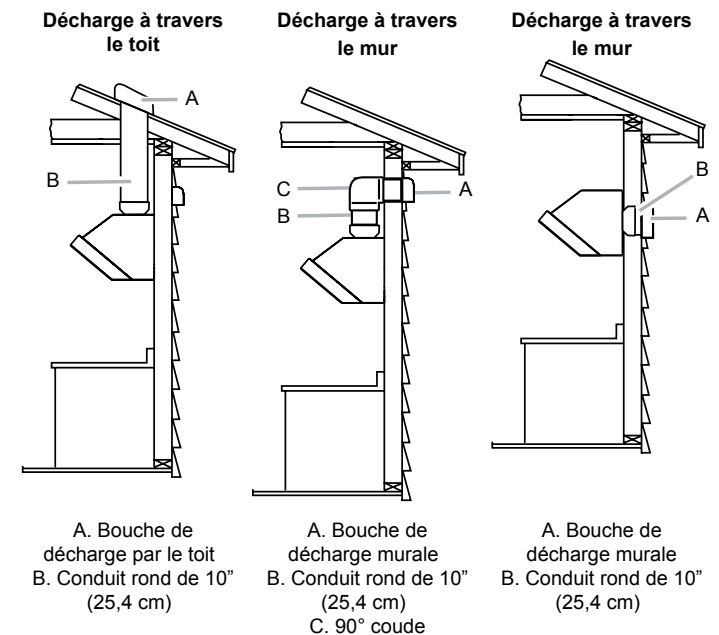
- Ne pas utiliser plus de trois coudes à 90°.
- Veiller à ce qu'il y ait une section droite de conduit de 24" (61,0 cm) ou plus entre deux coudes, si on doit utiliser plus d'un raccord coudé.
- Ne pas installer 2 coudes ensemble.
- Au niveau de chaque jointure du système d'évacuation, assurer l'étanchéité avec les brides de serrage pour conduit.
- Le système d'évacuation doit comporter un clapet. Si la bouche de décharge murale ou par le toit comporte un clapet, ne pas utiliser le clapet fourni avec la hotte de cuisinière.
- Autour de la bouche de décharge à l'extérieur (par le mur ou par le toit), assurer l'étanchéité avec un produit de calfeutrage.
- La taille du conduit doit être uniforme.

Méthodes d'évacuation

Un circuit d'évacuation de conduits rond de 10" (25,4 cm) est nécessaire pour l'installation (non fourni). La hotte comporte une ouverture de sortie de diamètre 10" (25,4 cm).

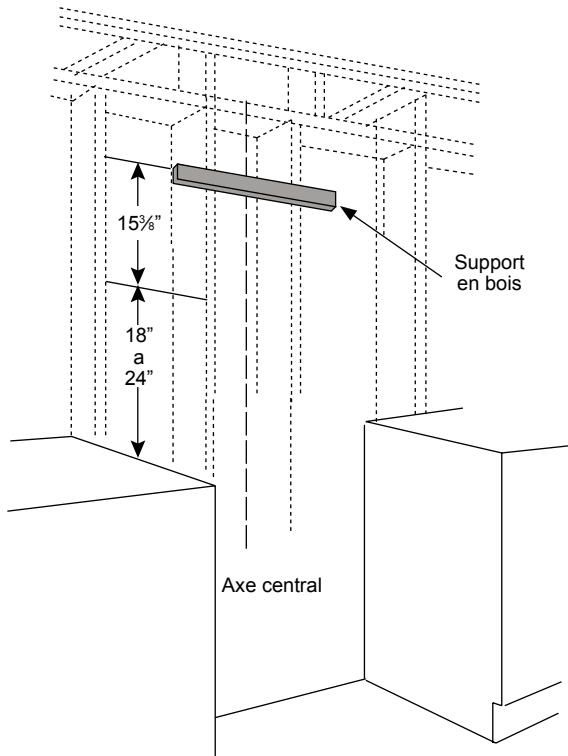
REMARQUE: On déconseille l'emploi d'un conduit flexible. Un conduit flexible peut causer une rétro-pression et des turbulences de l'air, ce qui réduit considérablement la performance.

La sortie à l'extérieur du circuit d'évacuation peut se faire à travers le toit ou à travers un mur.



Installation

- Si possible, débranchez la cuisinière et déplacez-la afin d'avoir un meilleur accès au mur arrière. Sinon, placez une couverture épaisse sur le comptoir et la surface de cuisson. Sélectionner une surface plane pour l'assemblage de la hotte. Placer le matériau de protection sur cette surface.
- Déterminer l'emplacement de l'axe central sur le mur à l'endroit où la hotte sera installée et le tracer.
- Choisir une hauteur de montage - minimum 18" (45,7 cm) et maximum conseillé de 24" (61 cm) - au-dessus de la surface de cuisson et du fond de la hotte et tracer une ligne de référence horizontale sur le mur.
- Ôter le support en bois de l'arrière de la hotte en desserrant les 2 vis de l'intérieur. Placer et mettre d'aplomb le support en bois de 15 $\frac{3}{8}$ " (39,1 cm) au dessus de ligne de repérage horizontale et le centrer sur la ligne verticale. À l'aide de 2 à 4 vis de 6 x 80 mm, installer le support en bois de façon à ce qu'il soit vissé dans au moins 2 goujons verticaux.



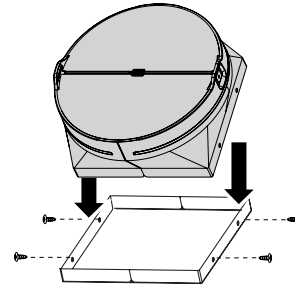
REMARQUE: Les vis fournies pour le montage de cette hotte doivent être fixées dans du bois massif. Ne pas fixer uniquement dans du placo-plâtre.

Installation avec cache-conduit

Fixer le cache-conduit pleine largeur au sommet de la hotte à l'aide des vis fournies avec le cache-conduit. Le cacheconduit doit être fixé au sommet de la hotte avant de fixer la hotte au mur. Pour des renseignements sur la commande du cache-conduit facultatif, voir la section "Accessoires".

Achever la préparation

1. Déterminer et marquer toutes les lignes de découpage nécessaires sur le mur pour le passage du circuit d'évacuation. Installer le système d'évacuation avant la hotte. Voir la section "Exigences concernant l'évacuation".
2. Déterminer l'emplacement de passage du câble d'alimentation à travers le mur.
3. Percer un trou de 1 $\frac{1}{4}$ " (3,2 cm) à cet emplacement.
4. Tirer suffisamment de câble d'alimentation à travers le mur pour permettre un raccordement facile jusqu'à la boîte de connexion.
5. Installer le raccord de transition (pour conduit carré de 10" (25,4 cm) et conduit rond de 10" (25,4 cm) avec volet de réglage au sommet de la hotte à l'aide de 4 vis de 3,5 x 9,5 mm.

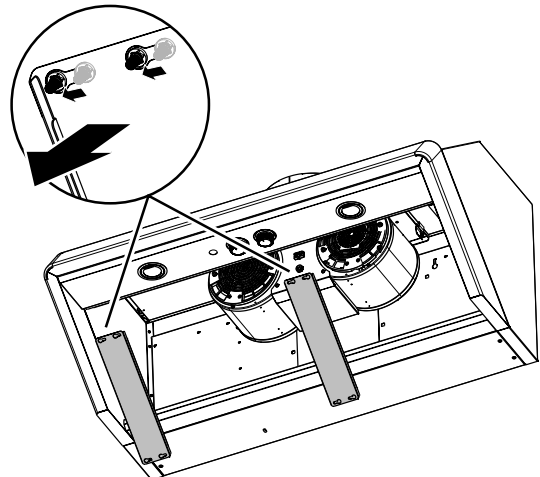


6. Retirer le couvercle du boîtier de connexion et le mettre de côté.
7. Ôter l'opercule arrachable du boîtier de connexion et installer un serre-câble de 1/2" (homologation UL ou CSA). Voir la section "Raccordement électrique".
8. Placer la hotte près de sa position de montage et faire passer le câble d'alimentation à travers le serre-câble dans le boîtier de connexion (suffisamment pour établir la connexion).
9. Serrer les vis du serre-câble.

Installation de la hotte

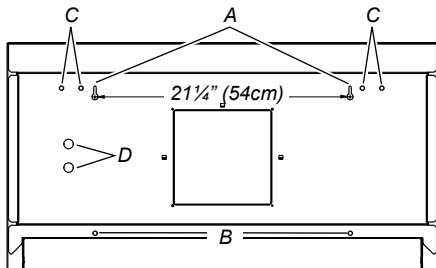
La hotte se fixe au mur à l'aide de 2 vis de montage dans le support en bois monté sur le mur dans la section "Installation des vis de montage de la hotte".

1. Retirer les filtres à graisse. Voir la section "Entretien de la hotte".
REMARQUE: Seulement pour les modèles ETT142SS, retirer les panneaux latéraux comme indiqué l'image ci-dessous.

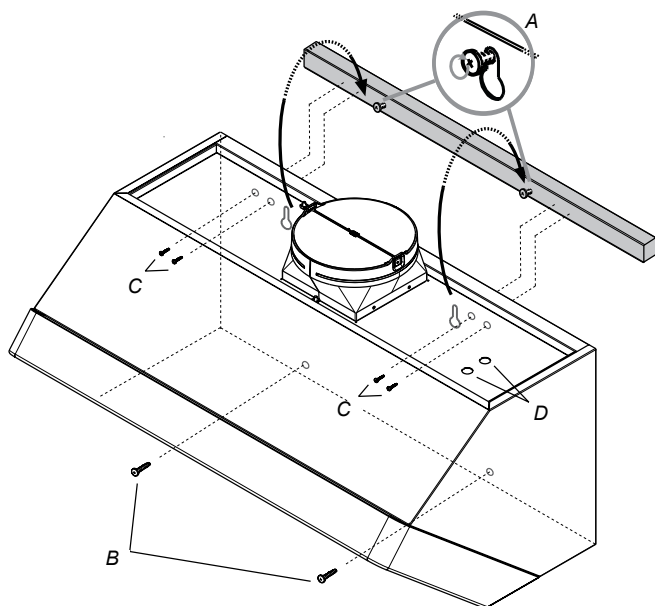


- À l'aide d'au moins 2 personnes, suspendre la hotte au mur en plaçant les fentes de l'arrière de la hotte sur les 2 vis montées sur le support en bois monté sur le mur.

REMARQUE: Si votre installation utilise le cache-conduit facultatif, le système de ventilation doit être connecté à la hotte et le cache conduit monté au sommet de la hotte avant de serrer les vis de montage.



Vue arrière
 A. Trous de serrure
 B. Trous de sécurité inférieurs (2 - 6 x 80 mm)
 C. Trous de sécurité (4 - 4.2 x 19 mm)
 D. Knockouts



- Ajuster la profondeur des vis de montage originales dans le support en bois jusqu'à ce qu'elles ressortent de 1/4". Ce dépassement de 1/4" va permettre d'accrocher la hotte (A).
- Pousser la hotte dans les fentes étroites, aligner le bas de la hotte sur la ligne horizontale, établir l'aplomb de la hotte, et serrer les 2 vis de montage.
- Marquer les emplacements des 2 trous de montage inférieurs. Percer des avant-trous de 1/8" si les trous sont situés dans du bois. Si les trous ne sont pas situés dans du bois, ôter la hotte et percer deux avant-trous de 3/8" et insérer des chevilles d'ancrage mural de 10 x 50 mm. Remonter la hotte, en établissant l'aplomb et serrer les vis supérieures. Installer les 2 vis de 6 x 80 mm dans les chevilles de montage inférieures et serrer. (B).
- Insérer 4 vis de 4,2 x 19 mm à travers l'arrière de la hotte dans le support en bois et serrer. (C).
- Connecter le circuit d'évacuation à la hotte. Utiliser des brides de serrage pour sceller chaque connexion.
- Si votre installation utilise le cache-conduit facultatif, le monter sur le haut de la hotte en suivant les instructions fournies avec le cache-conduit.

Raccordement électrique

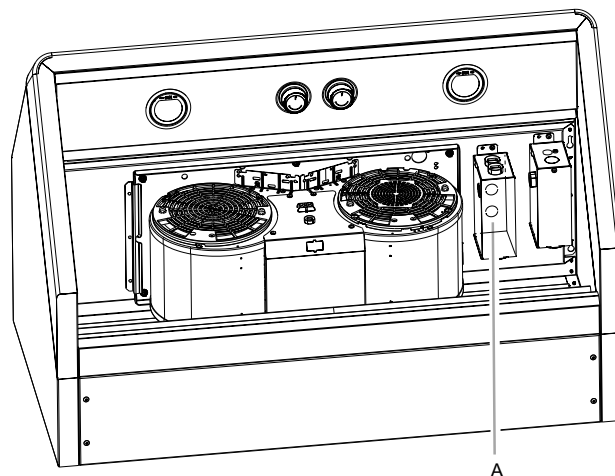
AVERTISSEMENT: Risque de choc électrique

Déconnecter la source de courant électrique avant l'entretien.

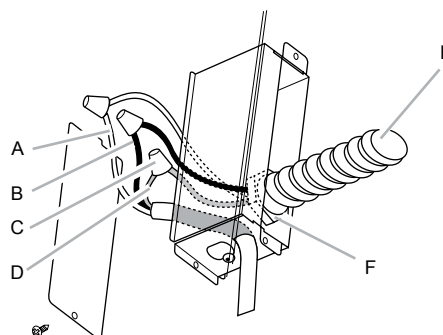
Replacer pièces et panneaux avant de faire la remise en marche.

Le non-respect de ces instructions peut causer un décès ou un choc électrique.

- Déconnecter la source de courant électrique.
- Placer le boîtier de connexion à l'intérieur de la hotte.



A. Opercule arrachable à l'arrière de la hotte dans le boîtier de connexion

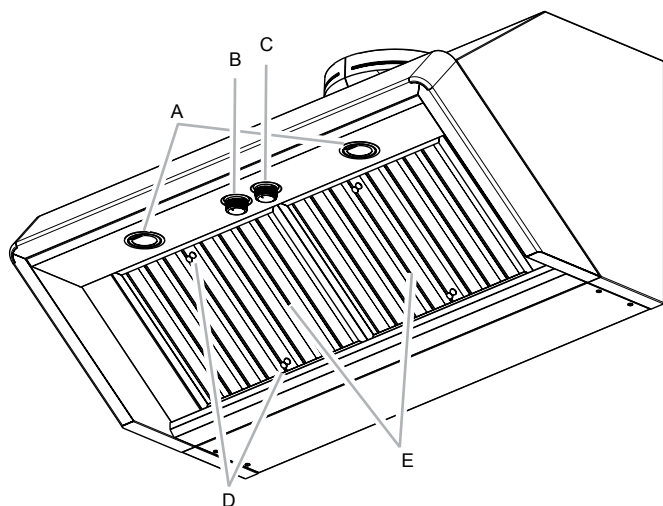


A. Conducteurs blancs
 B. Conducteurs noirs
 C. Connecteurs de fils (homologation UL)
 D. Conducteurs verts, nus ou verts/jaunes
 E. Câble d'alimentation électrique du domicile
 F. Serre-câble de 1/2" (homologation UL ou CSA)

- Connecter ensemble les conducteurs noirs (B) avec des connecteurs de fils (homologation UL).
- Connecter ensemble les conducteurs blancs (A) à l'aide de connecteurs de fils (homologation UL).
- À l'aide des connecteurs de fils (homologation UL), connecter le conducteur de liaison à la terre vert (ou nu) du câble d'alimentation du domicile au conducteur vert/jaune de liaison à la terre (D) dans le boîtier de connexion.
- Installer le couvercle du boîtier de connexion.
- Inspecter chaque lampe; vérifier que chaque lampe est bien insérée dans sa douille.
- Reconnecter la source de courant électrique.

Achever l'installation et vérifier le fonctionnement

1. Installez des filtres à graisse. Voir la section "Entretien de la hotte".
2. Contrôlez le fonctionnement du ventilateur de la hotte et des lampes. Voir la section "Utilisation de la hotte".



- A. Lampes à halogène
B. Interrupteur de lampe à halogène
C. Sélecteur de commande du ventilateur
D. Poignées du filtre à graisse
E. Filtre à graisse

3. Si la hotte ne fonctionne pas, déterminer si un disjoncteur s'est ouvert ou si un fusible du domicile est grillé. Déconnecter la source de courant électrique du circuit et vérifier que le câblage est correct.

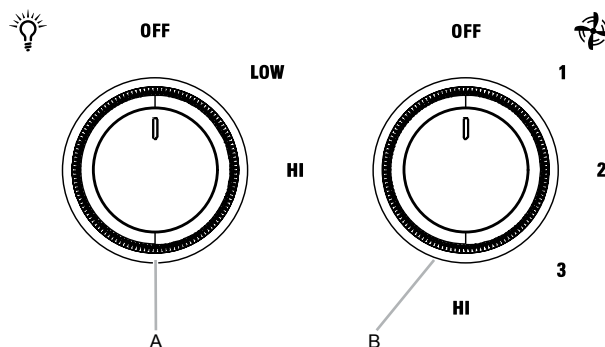
REMARQUE: Pour pouvoir tirer le plus grand parti de la nouvelle hotte

de cuisinière, lire la section "Utilisation de la hotte".

Utilisation de la hotte

La hotte de cuisinière est conçue pour extraire fumée, vapeurs de cuisson et odeurs de la zone de la table de cuisson. Pour obtenir les meilleurs résultats, mettre le ventilateur de la hotte en marche avant d'entreprendre une cuisson, et laisser le ventilateur fonctionner pendant plusieurs minutes après l'achèvement d'une cuisson pour pouvoir évacuer de la cuisine toute trace d'odeur de cuisson, vapeur ou fumée.

Les commandes de la hotte sont situées sous celle-ci, du côté droit.



- A. Commutateur de lampe à halogène
B. Commutateur de commande du ventilateur

Pour faire fonctionner les lampes

1. Tournez le commutateur d'éclairage sur la position "LOW" pour éteindre les lumières.
2. Placer le commutateur d'éclairage à la position "HI" (haut) pour allumer la lumière au maximum niveau.
3. Placer le commutateur d'éclairage à la position "OFF" (arrêt) pour éteindre les lumières.

Utilisation du ventilateur

1. Tournez le bouton du ventilateur à "1" pour allumer la hotte.
2. Tournez le commutateur du ventilateur à la position de vitesse désiré.
3. Tournez le commutateur du ventilateur à la position "HI" pour mettre la hotte Haut.
4. Tournez le commutateur du ventilateur à la position "OFF" pour éteindre le ventilateur de la hotte.

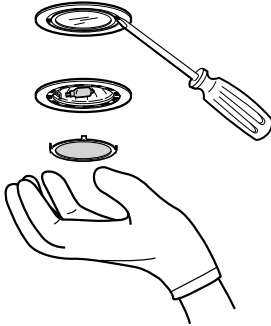
Entretien de la hotte de cuisinière

Remplacement d'une lampe à halogène

Interrompre l'alimentation de la hotte; attendre le refroidissement de la lampe à halogène. Pour éviter d'endommager ou de réduire la longévité de l'ampoule neuve, ne pas toucher l'ampoule avec les doigts nus. Remplacer la lampe en la manipulant avec un mouchoir de papier ou des gants de coton.

Si les nouvelles lampes ne fonctionnent pas, vérifier que chaque lampe est correctement insérée dans sa douille avant de demander l'intervention d'un dépanneur

1. Déconnecter la source de courant électrique.
2. À l'aide d'un tournevis à lame plate, dégager le protègeampoule avec précaution.



3. Enlever la lampe, et remplacer par une lampe à halogène neuve de 120 V/40 W maximum, à culot de type G-9.

4. Réinstaller le protège-ampoule.
5. Reconnecter la source de courant électrique.

Nettoyage

Surfaces externes :

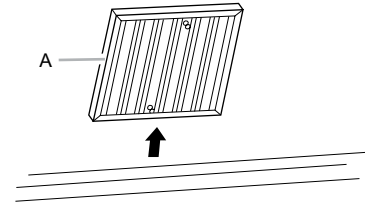
Afin d'éviter d'endommager la surface externe, ne pas utiliser de tampons en laine d'acier ou de tampons à récurer savonneux. Frotter dans la direction des lignes du grain pour ne pas détériorer la surface.

Toujours essuyer pour éviter de laisser des marques d'eau.

- Nettoyant et poli pour acier inoxydable.
- Détergent liquide doux et eau.
- Frotter avec un chiffon doux humide ou une éponge non abrasive, puis rincer avec de l'eau propre et essuyer.

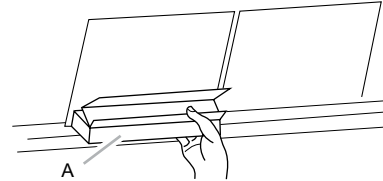
Filtres métalliques et plateaux d'égouttement :

1. Utiliser les 2 mains pour retirer les filtres.
2. Saisir les poignées du filtre, tirer vers l'avant de la hotte et tirer sur la poignée arrière pour retirer le filtre. Répéter pour chaque filtre.



A. Filtre à graisse

3. Retirer le plateau d'égouttement à graisse.



A. Plateau d'égouttement

4. Laver les filtres métalliques et les plateaux à graisse selon le besoin au lave-vaisselle ou avec une solution de détergent chaude.
5. Réinstaller le plateau d'égouttement à graisse.
6. Réinstaller les filtres : saisir les poignées du filtre et placer le rebord avant du filtre dans la hotte.
7. Pour bien fixer le filtre, pousser vers le haut sur la poignée arrière et installer l'arrière du filtre dans le plateau d'égouttement. Répéter pour chaque filtre.

GARANTIE

ELICA North America

GARANTIE DE DEUX ANS

POUR OBTENIR UN DEPANNAGE SOUS GARANTIE

Le propriétaire doit présenter une preuve de la date d'achat. Garder une copie de votre preuve d'achat datée (ticket de caisse) de façon à pouvoir bénéficier du service après-vente sous garantie.

GARANTIE PIECES DE RECHANGE ET MAIN D'OEUVRE

Pendant une période de deux (2) ans à partir de la date d'achat, Elica s'engage à fournir gratuitement les pièces de rechange ou les composants autres que les recharges ayant des défauts de fabrication.

Durant cette garantie de deux (2) ans, Elica fournira également gratuitement, toute la main d'oeuvre et le service à domicile pour remplacer d'éventuelles pièces défectueuses.

CE QUE LA GARANTIE NE COUVRE PAS

- Dégât ou panne du produit causé par un accident ou un cas de force majeure tels que inondation, incendie ou tremblement de terre.
- Dégât ou panne du produit causé par modification du produit ou utilisation de pièces pas d'origine.
- Dégât ou panne du produit causé lors de la livraison, de la manipulation ou de l'installation.
- Dégât ou panne du produit causé par une mauvaise utilisation.
- Dégât ou panne du produit causé par un remplacement des fusibles ou une remise en fonction des disjoncteurs par le propriétaire.
- Dégât ou panne du produit causé par une utilisation du produit pour raison commerciale.
- Déplacement à domicile pour explication d'utilisation ou d'entretien.
- Ampoules, filtres métalliques ou au charbon et toute autre pièce consommable.
- Usure normale.
- Usure due à une mauvaise utilisation du propriétaire, un entretien incorrect, une utilisation de substances nettoyantes corrosives ou abrasives et produits de nettoyage pour four.

QUI EST COUVERT

Cette garantie s'étend à l'acheteur original de produits achetés pour un usage domestique habituel en Amérique du Nord (Y compris Etats Unis, Guam, Porto Rico, les Iles virgins Américaines & le Canada).

Cette garantie n'est pas transférable et vaut uniquement pour l'acheteur original et ne s'étend pas aux propriétaires successifs du produit. Cette garantie vaut expressément en lieu et place de toute autre garantie, expresse ou sous-entendue, mais ne limite pas toute autre garantie sous-entendue de marchandage ou adaptation dans un but particulier et toute autre obligation de la part de Elica North America, étant entendu, cependant, que si la réclamation pour garanties sous-entendues n'est pas applicable aux yeux de la loi en vigueur, la durée de toute garantie sous-entendue émanant de la loi doit être limitée à deux (2) ans à partir de la date d'achat du produit ou à une période plus longue selon ce que dit la loi en vigueur.

Cette garantie ne couvre pas tout dégât particulier, accidentel et/ou consécutif, ni les pertes et profits, à charge du propriétaire, des ses clients et/ou des utilisateurs Des produits.

QUI CONTACTER

Pour obtenir un Service Après-vente durant la Garantie ou pour toute autre Question liée au Service Après-vente

Appeler:

- Elica North America Authorized Service at (888) 732-8018

Ou écrire à:

- Elica North America, Attention Customer Service,
6658 156th Avenue SE,
Bellevue, WA 98006 USA
infoamericas@elica.com

Español

Contenido

Aviso de seguridad importante.....	23
Requisitos eléctricos y de instalación.....	24
Lista de Materiales.....	25
Partes suministradas.....	25
Partes no suministradas.....	25
Dimensiones del producto.....	25
Requisitos de ubicación.....	26
Requisitos de ventilación.....	26
Instalación	27
Conexión eléctrica.....	28
Completar la instalación y verificar la operación.....	29
Uso de la campana.....	29
Cuidado de la campana.....	30
Garantía	31

APROBADO PARA APARATOS DE USO DOMÉSTICO SÓLO PARA USO DOMÉSTICO LEA Y GUARDE ESTAS INSTRUCCIONES

**ANTES DE CONTINUAR, LEA LAS INSTRUCCIONES
POR COMPLETO.**

**LA INSTALACIÓN DEBE CUMPLIR TODA LA NORMATI-
VA LOCAL.**

IMPORTANTE: Guarde estas instrucciones para su uso por
parte del inspector de electricidad local.

INSTALADOR: Entregue al propietario estas instrucciones junto
con la unidad.

PROPIETARIO: Conserve estas instrucciones para futuras
consultas.

Advertencia de seguridad: antes de realizar el cableado de este
aparato, desactive el circuito de energía
eléctrica en el panel de servicio y desbloquee el panel.

Requisito: Circuito auxiliar de CA de 120 V, 60 Hz, 15 ó 20 A

LEA Y GUARDE ESTAS INSTRUCCIONES

Aviso de seguridad importante

PRECAUCIÓN

SÓLO PARA USO DE VENTILACIÓN GENERAL. NO UTILIZAR PARA EXPULSAR VAPORES O MATERIALES PELIGROSOS O EXPLOSIVOS.

ADVERTENCIA

PARA REDUCIR EL RIESGO DE FUEGO, DESCARGA ELÉCTRICA O LESIONES PERSONALES, RESPETE LO SIGUIENTE:

- A. Utilice esta unidad solamente en el modo que indica el fabricante. En caso de duda, póngase en contacto con el fabricante.
- B. Antes de reparar o limpiar la unidad, desconecte la alimentación en el panel de servicio y bloquee los medios de desconexión del panel de servicio para evitar la conexión accidental de la alimentación. Si no es posible bloquear los medios de desconexión del panel de servicio, coloque un dispositivo de advertencia que destaque como, por ejemplo, una etiqueta, en el panel de servicio.
- C. La instalación y el cableado eléctrico deben realizarlos personas calificadas de acuerdo con las normativas y los estándares aplicables, incluida la construcción ignífuga.
- D. Es necesaria una ventilación suficiente para la correcta combustión y expulsión de gases por la salida de humos (Chimenea) del equipo de combustión de carburante para evitar el contratiro. Siga las directrices de fabricantes de equipos de calefacción y los estándares de seguridad como los publicados por la National Fire Protection Association (NFPA), American Society for Heating, Refrigeration and Air Conditioning Engineers (ASHRAE) y las normativas locales.
- E. Al efectuar orificios en una pared o techo, no dañe el cableado eléctrico y otras instalaciones ocultas.
- F. Los sistemas instalados mediante conducto deben tener ventilación con salida al exterior.

PRECAUCIÓN

Para reducir el riesgo de fuego y conseguir una salida del aire correcta, asegúrese de conducir el aire hacia el exterior. No permita que el aire se expulse en espacios situados en el interior de muros, techos, desvanes, sótanos de pequeña altura o garajes.

ADVERTENCIA

PARA REDUCIR EL RIESGO DE FUEGO, UTILICE SOLAMENTE TUBOS METÁLICOS.

Instale esta campana de acuerdo con los requisitos especificados.

ADVERTENCIA

Para reducir el riesgo de fuego o descarga eléctrica, no utilice esta campana con ningún dispositivo externo en estado sólido para el control de la velocidad.

ADVERTENCIA

PARA REDUCIR EL RIESGO DE INCENDIO OCASIONADO POR GRASA:

- a) No deje nunca ninguna unidad externa desatendida y con valores de fuego altos. La cocción puede causar humo o reboses de grasa que pueden prender fuego. Caliente el aceite a fuego lento o medio.
- b) Encienda siempre la campana cuando cocine a una temperatura alta o cuando realice flameados (Por ejemplo, crepes Suzette, cerezas flameadas, ternera a la pimienta flameada).
- c) Limpie con frecuencia los ventiladores. No permita que la grasa se acumule en el ventilador o filtro.
- d) Utilice un tamaño de sartén adecuado. Utilice siempre piezas de batería de cocina adecuadas al tamaño del elemento de superficie.

ADVERTENCIA

PARA REDUCIR EL RIESGO DE LESIONES PERSONALES, EN CASO DE FUEGO OCASIONADO POR GRASA, TENGA EN CUENTA LO SIGUIENTE^a:

- a) **EXTINGA LAS LLAMAS** con una tapa ajustada, una lámina para hacer galletas u otro tipo de bandeja metálica y apague el quemador de gas o elemento eléctrico. **TENGA CUIDADO PARA EVITAR QUEMADURAS.** Si las llamas no se extinguen inmediatamente, **DESALOJE EL LUGAR Y LLAME A LOS BOMBEROS.**
- b) **NUNCA TOME UNA SARTÉN EN LLAMAS**, podría sufrir quemaduras.
- c) **NO UTILICE AGUA**, incluidas bayetas o toallas húmedas ya que se produciría una violenta explosión de vapor.
- d) Utilice un extintor **SÓLO** si:
 - 1) Sabe que dispone de un extintor de la clase ABC y conoce su funcionamiento.
 - 2) El fuego es pequeño y se encuentra en la misma zona donde se inició.
 - 3) Ha llamado a los bomberos.
 - 4) Puede luchar contra el fuego teniendo una salida a su espalda.

^aBasado en "Consejos de seguridad para fuegos de cocina", publicado por el NFPA (Asociación nacional de protección contra incendios).

FUNCIONAMIENTO

Coloque siempre las rejillas y los filtros de seguridad en su lugar correspondiente. Sin estos componentes, los ventiladores en funcionamiento podrían atrapar su pelo, sus dedos o su ropa.

El fabricante declina toda responsabilidad en caso de fallo de cumplimiento de las instrucciones aquí facilitadas para la instalación, el mantenimiento y el uso adecuado del producto. El fabricante declina además toda responsabilidad por daños ocasionados por negligencia y la garantía de la unidad queda cancelada automáticamente como consecuencia de un mantenimiento incorrecto.

Requisitos eléctricos y de instalación

Requisitos Eléctricos

IMPORTANTE

Cumpla todas las normativas y ordenanzas gubernamentales.

Es responsabilidad del cliente:

- Ponerse en contacto con un instalador eléctrico cualificado.
- Asegurarse de que la instalación eléctrica es adecuada y en conformidad con National Electrical Code, ANSI/NFPA 70 (última edición*) o CSA Standards C22.1-94, Canadian Electrical Code, Parte 1 y C22.2 No.0-M91 (última edición*) y toda la normativa y las ordenanzas locales.
- Si la normativa lo permite y se utiliza un cable de toma a tierra i dependiente, se recomienda que un electricista cualificado determine si la difracción de onda de tierra es la adecuada.
- No ubique la toma a tierra en una tubería de gas.
- Si no está seguro de que la campana está correctamente conectada a tierra, consulte a un electricista cualificado.
- No coloque ningún fusible en el circuito neutral o con vuelta por tierra.

IMPORTANTE

Guarde las instrucciones de instalación para su uso por parte del inspector de electricidad.

- La campana debe está conectada únicamente con hilo de cobre.
- La campana debe estar conectada directamente al desconectador con fusible (O disyuntor) mediante canal metálico de cables eléctricos.
- Los tamaños de cable deben cumplir los requisitos de la National Electrical Code, ANSI/NFPA 70 (última edición*) o CSA Standards C22.1-94, Canadian Electrical Code, Parte 1 y C22.2 No.0-M91 (última edición*) y toda la normativa y las ordenanzas locales.
- Es preciso colocar un conector de canal de cables enumerado en U.L. o C.S.A. en cada extremo del canal de cables de fuente de alimentación (En la campana y en la caja de conexiones).

Se pueden obtener copias de los estándares enumerados en:

* National Fire Protection Association Batterymarch Park Quincy, Massachusetts 02269

** CSA International 8501 East Pleasant Valley Road Cleveland, Ohio 44131-5575

Antes de instalar la campana

1. Para obtener una circulación del flujo de aire más eficaz, utilice un tubo de tramo recto o el menor número posible de tubos acodados.

PRECAUCIÓN: el conducto de ventilación solamente debe tener salida hacia la parte exterior del edificio.

2. Para realizar la instalación, se necesitan al menos dos personas.
3. La campana se ajusta mediante material adecuados para la mayoría de superficies; consulte a un instalador cualificado para comprobar si quedan perfectamente ajustados al armario o a la pared.
4. No emplee tubos flexibles.
5. Las instalaciones en CONDICIONES CLIMÁTICAS FRÍAS deben tener instalado un regulador de contratiro adicional para minimizar el flujo de aire inverso y una rotura térmica no metálica para minimizar la conducción de temperaturas externas como parte de los tubos. El regulador debe encontrarse en la parte de aire frío de la rotura térmica. La rotura debe estar lo más cerca posible al lugar donde los tubos entran en la parte caliente de la casa.
6. Aire limpio: Las normativas locales para edificios pueden requerir el uso de sistemas de aire limpio cuando se utilizan sistemas de ventilación mediante tubos superiores al CFM especificado de movimiento de aire. El CFM especificado varía de una zona a otra. Para conocer los requisitos específicos de su zona, consulte a un profesional de HVAC.

NOTA:

Use los modelos de campana ETT136SS, ETT142SS y ETT148SS (Doble Motor=1200CFM) sobre estufas clasificadas por encima de los 65,000 BTU y por debajo de los108.000 BTU.

Lista de Materiales

Retirar del empaque

¡CUIDADO!

Remueva el empaque con cuidado, utilice guantes para protegerse de los filos cortantes.

ADVERTENCIA

Retire la cubierta protectora del producto antes de ponerlo en funcionamiento.

Partes suministradas

- Ensamble de campana, con motor y lámparas ya instaladas.
- Filtros de grasa.
- Bolsa con tornillería:
 - Manual de uso e instalación.
 - 2 - rondanas metálicas de $d5.3 \times 20$ mm
 - 4 - tornillos de 6×80 mm
 - 4 - tornillos de instalación de 3.5×9.5 mm
 - 4 - tornillos de instalación de 4.2×19 mm
 - 2 - taquetes para pared de 10×50 mm

Partes necesarias

- Cable de alimentación
- Pasacables de $\frac{1}{2}$ " (12.7 mm) aprobado por UL ó CSA
- 3 conectores de cables aprobados por UL
- 1 boquilla para pared o techo
- Sistema de ventilación metálico redondo de 10"

Partes no suministradas

Accesorios Opcionales

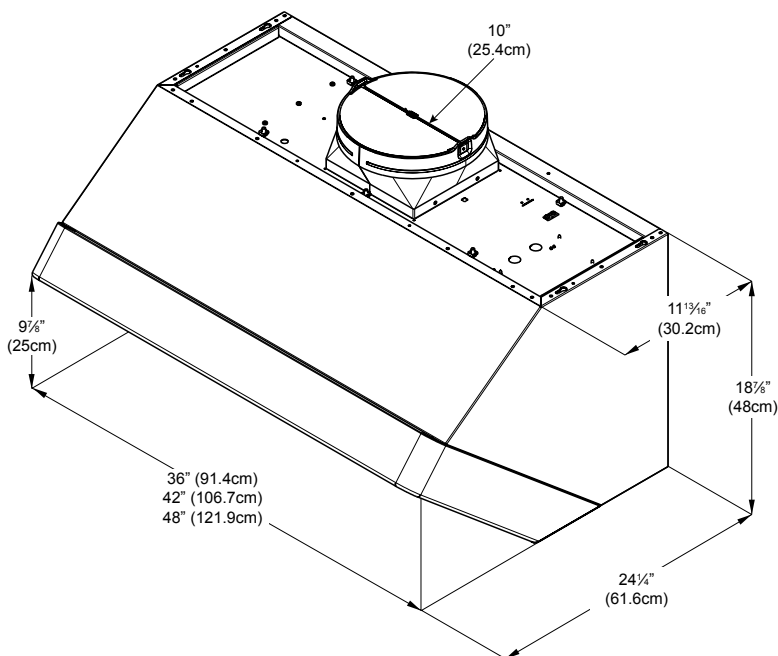
1. Kit de Cubreductos

	36"	42"	48"
6" de altura	EXXCEK02	ECLCEK07	ECLCEK05
12" de altura	EXXCEK04	ECLCEK08	EXXCEK06

Herramientas/Materiales necesarios

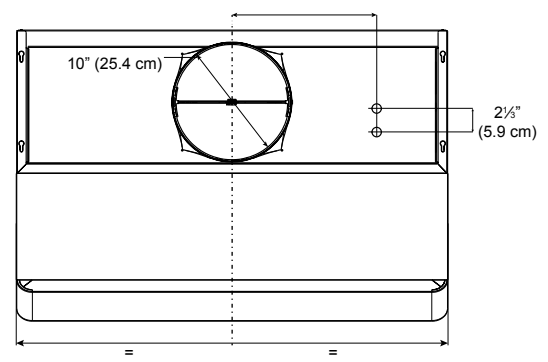
- Nivel
- Taladro con brocas de $\frac{1}{4}$ " (3.2 cm), $\frac{1}{8}$ " (3.2 mm), y $\frac{5}{16}$ " (7.9 mm)
- Lápiz
- Pasa cables ó cuchillo
- Cinta métrica o regla
- Pinzas
- Pistola galafateadora y silicón para sellar a prueba de agua
- Sujetadores de ductos
- Serrucho o sierra caladora
- Destornillador plano

Dimensiones del Producto

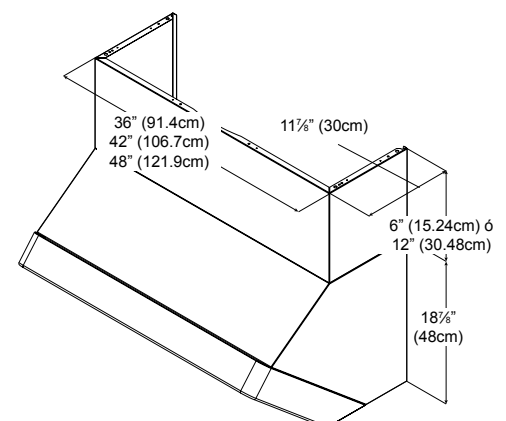


Vista superior

36": 12" (30.6 cm)
42": 15" (38.3 cm)
48": 18" (45.9 cm)



Vista con cubreductos



Requisitos de ubicación

IMPORTANTE: Observe todos los códigos y ordenanzas aplicables. Haga que un técnico capacitado instale la campana para cocina. Es la responsabilidad del instalador cumplir con los espacios de instalación especificados en la placa con la clasificación de modelo/serie. La placa con clasificación de modelo/serie está ubicada detrás del filtro, en la pared posterior de la campana para cocina.

La ubicación de la campana con escudete deberá estar lejos de zonas con corrientes fuertes de aire, tales como ventanas, puertas u orificios de calefacción fuertes.

Deben usarse las dimensiones de la abertura del armario que se muestran. Las dimensiones proporcionadas proveen los espacios mínimos.

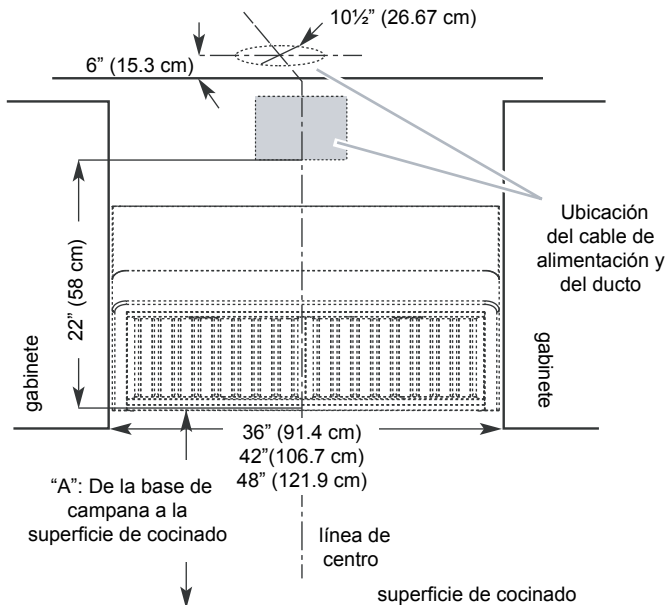
Se requiere un enchufe eléctrico con conexión a tierra. Vea la sección "Requisitos eléctricos".

La campana con escudete se ha ajustado de fábrica para tener una ventilación a través del techo o de la pared. Para ver la instalación sin ducto de escape (con recirculación), consulte "Solamente para las instalaciones sin ducto de escape (con recirculación)" en la sección "Conexión del sistema de ventilación".

Para la instalación en casas rodantes

La instalación de esta campana para cocina debe ajustarse a Manufactured Home Construction Safety Standards - Estándares de seguridad y construcción de casas fabricadas, Título 24 CFR, Parte 328 (anteriormente conocidos como Federal Standard for Mobile Home Construction and Safety [Estándar federal para la seguridad y construcción de casas rodantes], Título 24, HUD Parte 280), o cuando dicho estándar no sea aplicable, el estándar Manufactured Home Installation (Estándar para instalación en casas fabricadas) de 1982 (Manufactured Home Sites, Communities and Setups [Obras, comunidades y proyectos de casas fabricadas]), ANSI A225.1/NFPA 501A, o la última edición o con los códigos locales.

Dimensión del gabinete



IMPORTANTE:

Valor mínimo de la distancia "A" : 18" (45,7 cm).

Valor máximo de la distancia "A" : 24" (61 cm).

Requisitos de ventilación

- El sistema de ventilación debe terminar en el exterior.
- No dirija la salida del sistema de ventilación hacia el desván u otra área cerrada.
- No utilice una cubierta de pared de tipo para lavandería de 6" (15,2 cm).
- Utilice ducto de escape de metal únicamente. Se recomienda un ducto de escape de metal rígido. No se recomienda ducto de escape de plástico u hoja metálica.
- El largo del sistema de ventilación y el número de codos se deben mantener al mínimo para proveer un funcionamiento eficaz.

Para obtener el funcionamiento más eficaz y silencioso:

- No use más de 3 codos de 90°.
- Asegúrese de que haya un mínimo de 24" (61 cm) de ducto de escape recto entre los codos, si se utiliza más de 1 codo.
- No instale 2 codos lado a lado.
- Use abrazaderas para sellar todas las juntas en el sistema de ventilación.
- El sistema de ventilación debe tener una compuerta. Si la cubierta del techo o la pared tiene una compuerta, no use la compuerta provista con la campana de cocina.
- Utilice masilla de calafateo para sellar la abertura exterior de la pared o el techo alrededor de la cubierta.
- El tamaño del ducto de escape debe ser uniforme.

Métodos de ventilación

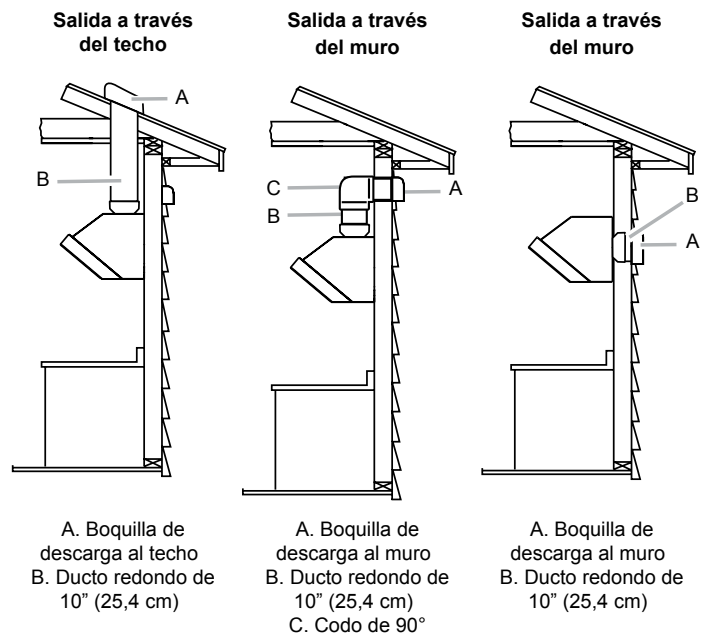
Esta campana con escudete se ha ajustado de fábrica para tener una ventilación a través del techo o de la pared.

Se requiere un sistema de ventilación redondo de 10" (25.4 cm) para la instalación (no incluido). La abertura de ventilación de la campana es redonda, de 10" (25.4 cm).

NOTA: No se recomienda el uso de ductos de escape flexibles. Los ductos de escape flexibles crean contrapresión y turbulencia de aire, lo cual reduce el desempeño en gran medida. El sistema de ventilación debe terminar a través del techo o la pared. Para colocar el ducto a través de la pared, se necesita un codo de 90°.

Descarga posterior

Se puede instalar un codo de 90° justo arriba de la campana.



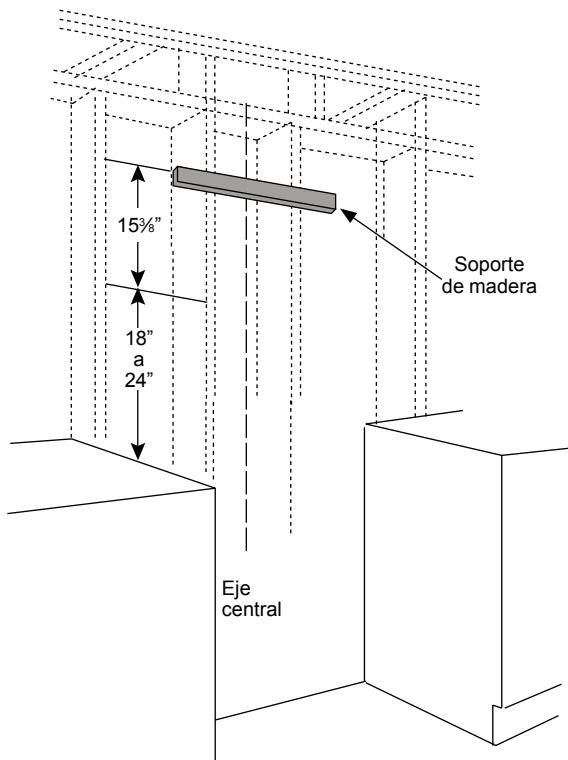
A. Boquilla de descarga al techo
B. Ducto redondo de 10" (25,4 cm)

A. Boquilla de descarga al muro
B. Ducto redondo de 10" (25,4 cm)
C. Codo de 90°

A. Boquilla de descarga al muro
B. Ducto redondo de 10" (25,4 cm)

Instalación

- Si es posible, desconecte y deslice la estufa fuera de la apertura de instalación del gabinete de la cocina para permitir un acceso fácil al muro posterior. De lo contrario, coloque una cubierta protectora gruesa sobre la cubierta o la estufa para protegerla de daños o suciedad. Seleccione una superficie plana para montar la unidad. Coloque una cubierta protectora sobre la superficie y coloque en ella todas las piezas de la carcasa de la campana, tornillos y elementos metálicos.
- Determine y marque la línea central en el muro donde se instalará la campana.
- Seleccione una altura de montaje - mínimo 18" (45,7 cm) y máximo de 24" (61 cm) - y realice una marca en el muro situado detrás de la cocina.
- Retire el soporte de madera de la parte trasera de la campana aflojando los tornillos desde el interior de la campana. Ubique y nivele la parte superior del soporte de madera 15 $\frac{3}{8}$ " (39.1 cm) por encima de la línea horizontal marcada y céntrala a la línea vertical. Usando 2 tornillos de 6 x 80 mm, instale el soporte de madera.



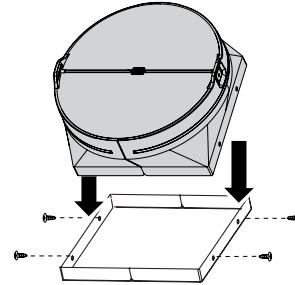
NOTA: Los tornillos provistos para el montaje de esta campana deben ser fijados a la madera. No fijar directamente a muros de tablaroca.

Instalación de los cubreductos

Instale los cubreductos a la parte superior de la campana con los tornillos provistos en el kit. Los cubreductos deben estar instalados a la parte superior de la campana antes de ser montada. Para más información acerca de la compra de estos kits, consulte la sección "Accesorios".

Complete la preparación

1. Ubique y haga todos los cortes necesarios en la pared para el sistema de ventilación. Instale el sistema de ventilación antes de instalar la campana.
2. Determine el lugar por donde el cable de alimentación correrá a través de la pared.
3. Taladre un agujero de 1 $\frac{1}{4}$ " (3.2 cm) en esta ubicación.
4. Pase suficiente cable de alimentación a través de la pared, para que permita una fácil conexión a la caja eléctrica.
5. Instale la transición redonda de 10" (25.4 cm) a la parte superior de la campana utilizando 4 tornillos de 3.5 x 9.5 mm.



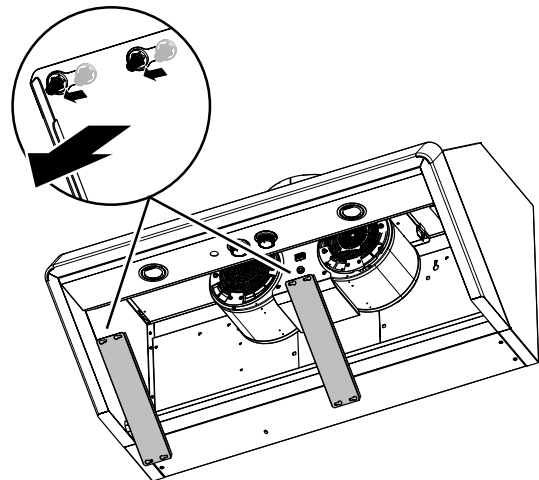
6. Retire la cubierta de la caja eléctrica y colóquela a un lado.
7. Retire el knockout de la parte superior de la campana e instale un fijacables de 1/2" aprobado por UL y CSA.
8. Coloque la campana cerca de su posición de montaje y pase el cable de alimentación a través del fijacables hacia la caja eléctrica (suficiente para hacer la conexión).
9. Asegure la tuerca del fijacables.

Instalación de las campanas

La campana se sujeta a la pared por 2 tornillos de montaje en el soporte de madera.

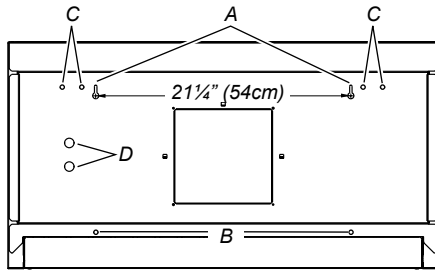
1. Retire los filtros de grasa. Vea la sección "Cuidado de su campana".

NOTA: Sólo para los modelos ETT142SS, retire los paneles laterales como lo muestra la imagen inferior.



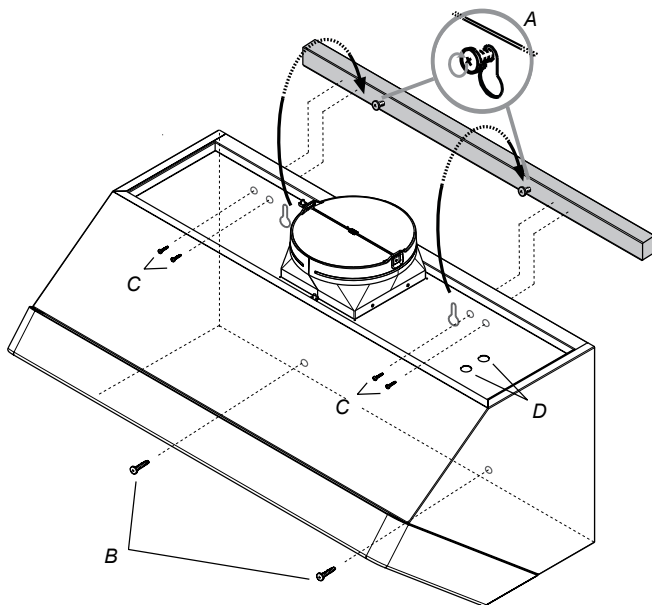
- Con la ayuda de al menos 2 personas, coloque la campana extractora sobre el soporte de madera. Asegúrese que los tornillos de montaje coincidan con las ranuras de la parte posterior de la campana extractora.

NOTA: Si su instalación incluye los cubreductos opcionales, el sistema de ventilación y los cubreductos deben ser conectados a la campana antes de apretar los tornillos de instalación.



Vista posterior

- A. Orificios de instalación
- B. Orificios de seguridad inferiores (2 - 6 x 80 mm)
- C. Orificios de seguridad (4 - 4.2 x 19 mm)
- D. Precortes



- Ajuste la profundidad de los tornillos de montaje originales en el soporte de Madera hasta que no sobresalgan de $\frac{1}{4}$ " hacia adelante. Este espacio de $\frac{1}{4}$ ", es el espacio ideal para colgar la campana extractora (A).
- Empuje la campana hacia la parte delgada de los orificios, alinee la base de la campana a la línea horizontal, nivele la campana, y ajuste los tornillos de montaje.
- Marque la ubicación de los 2 orificios inferiores de seguridad. Perfore los orificios de $\frac{1}{8}$ " si estos estarán ubicados en madera. Si no es así, retire la campana y coloque 2 taquetes de 10 x 50 mm. Vuelva a colocar la campana, nivele y apriete los tornillos superiores. Instale 2 tornillos de 6 x 80 mm y 2 rondanas en los taquetes y apriete.
- Instale 4 tornillos de 4,2 x 19 mm en la parte posterior de la campana sobre la barra de madera. (C).
- Conecte el sistema de ventilación a la campana. Utilice sujetadores para sellar las aperturas existentes.
- Si su instalación contempla el uso de los cubreductos, móntelos en la parte superior de la campana siguiendo las instrucciones incluidas en el kit de cubreductos.

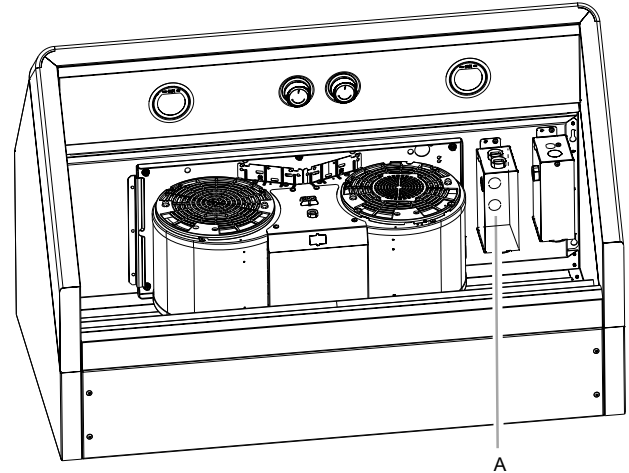
Conexión eléctrica

ADVERTENCIA: Peligro de descarga eléctrica

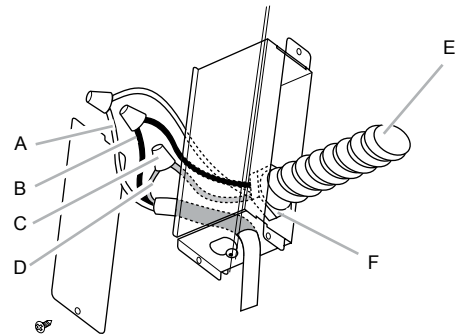
Antes de realizar el cableado de este aparato, desactive el circuito de energía eléctrica en el panel de servicio.

Se requiere un circuito 120 VAC, 15 ó 20 A.

- Desconecte la corriente eléctrica.
- Localice la caja eléctrica al interior de la campana.



A. Precorte en la caja eléctrica

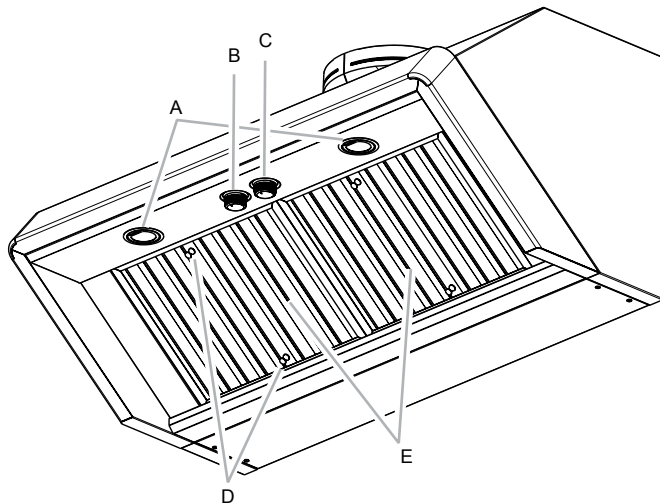


- A. Cable blanco
- B. Cable negro
- C. Conector de cables (aprobado por UL)
- D. Cable verde, desnudo ó verde/ amarillos
- E. Cable de alimentación eléctrica
- F. Sujeta cable de $\frac{1}{2}$ " (aprobado por UL ó CSA)

- Utilice conectores aprobados por UL y conecte los cables negros (B).
- Utilice conectores aprobados por UL y conecte los cables blancos (A).
- Conecte el alambre verde (o desnudo) de puesta a tierra del suministro de energía doméstico al alambre amarillo-verde de puesta a tierra (F) en la caja de terminales usando conectores de alambres que estén en la lista de UL.
- Instale la cubierta de la caja eléctrica.
- Verifique que las lámparas se encuentren bien colocadas.
- Reconecte la corriente eléctrica.

Completar la instalación y verificar la operación

1. Instale los filtros de grasa. Vea la sección "Cuidado de su campana".
2. Verifique la operación del motor y de las lámparas. Vea la sección "Uso de la campana".



- A. Lámparas halógenas
 B. Control de lámparas
 C. Control de velocidades
 D. Sujetadores del filtro de grasa
 E. Filtro de grasa

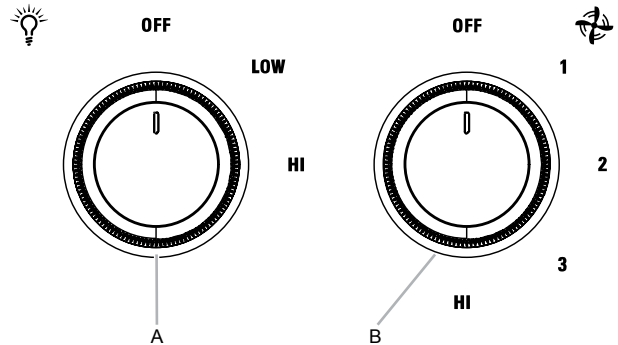
3. Si su campana no funciona, compruebe si el interruptor está desconectado o se han fundido los fusibles. Desconecte el suministro eléctrico. Compruebe si el cableado es correcto.

NOTA: Para obtener el uso más eficiente de su campana, lea la sección "Uso de la campana".

Uso de la campana

Esta campana está diseñada para remover humo, vapores de cocina y olores del área de cocina. Para mejores resultados, encienda la campana antes de cocinar y permita que opere algunos minutos después de haber terminado de cocinar para dispersar todo el humo y olores de la cocina.

Los controles están localizados en la parte central de la campana.



- A. Control de lámparas halógenas
 B. Control de velocidades del motor

Funcionamiento de las lámparas

1. Gire el control a la posición "LOW" para encender las luces.
2. Gire el control a la posición "HI" para encender las luces a su máximo nivel.
3. Gire el control a la posición "OFF" para apagar las luces.

Funcionamiento del motor

1. Gire el control a la posición "1" para encender la campana.
2. Gire el control a la velocidad deseada.
3. Gire el control a la posición "HI" para obtener la máxima potencia de su campana.
4. Gire el control a la posición "OFF" para apagar su campana.

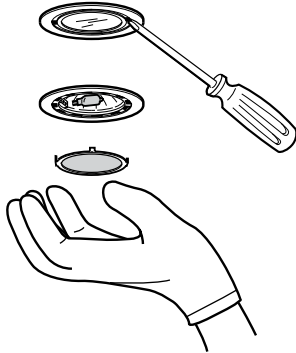
Cuidado de su campana

Reemplace la lámpara halógena

Apague la campana y permita que las lámparas se enfrien. Para impedir el daño o deterioro en la vida útil de la lámpara, evite manejar la lámpara directamente con los dedos. Reemplace la lámpara utilizando un pañuelo o usando guantes para manejar la lámpara.

Si las lámparas nuevas no funcionan, asegúrese de que están colocadas correctamente antes de llamar al servicio.

1. Desconecte la corriente.
2. Utilice un destornillador de punta plana y suavemente retire la cubierta de la lámpara.



3. Retire la lámpara y reemplácela por una lámpara halógena de 120-volts, 40-watt máximo, con base G-9.
4. Coloque nuevamente la cubierta de la lámpara.
5. Conecte nuevamente la corriente.

Limpieza

Superficies exteriores:

Para evitar el daño en las superficies externas, no use estropajos de acero ni jabonosos.

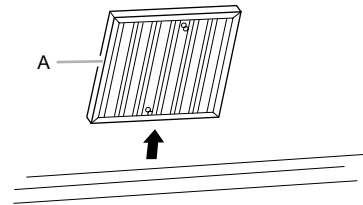
Siempre séquelo con un paño para evitar manchas de agua.

Seque siempre con un paño seco para evitar marcas de agua.

- Limpiador de acero inoxidable o Polish.
- Detergente líquido y agua.
- Límpielo con un paño suave húmedo o una esponja no abrasiva, enjuáguelo con agua limpia y séquelo con un paño.

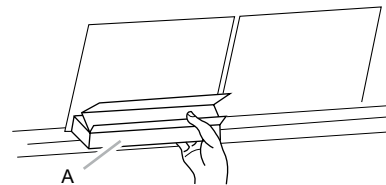
Filtros metálicos y Graseras:

1. Use ambas manos para retirar los filtros.
2. Sujete las manijas de los filtros, jale hacia el frente de la campana y empuje hacia abajo para retirarlo. Repita el proceso para cada filtro.



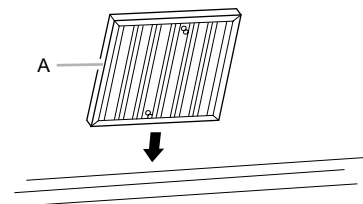
A. Filtro de grasa

3. Remueva las graseras.



A. Graseras

4. Lave los filtros metálicos y las graseras en lavaplatos o con solución jabonosa caliente.
5. Vuelva a colocar las graseras.
6. Reinstale los filtros.



A. Filtro de grasa

GARANTÍA

ELICA Norte América

GARANTIA LIMITADA A DOS AÑOS

PARA OBTENER SERVICIO DENTRO DE GARANTIA.

El propietario debe presentar su recibo original de la compra. Guarde por favor una copia de su recibo de compra como prueba, para recibir el servicio dentro del periodo de garantía.

PARTES Y GARANTIA DE SERVICIO.

Por el periodo de (2) dos años desde la fecha original de la compra, Elica proveerá, gratuitamente, partes no-consumibles o componentes que hayan fallado debido a defectos de fabricación. Durante estos (2) años de garantía limitada, Elica también proveerá gratuitamente, todo el servicio en casa y mano de obra necesaria para reemplazar cualquier parte defectuosa.

QUE NO ESTA CUBIERTO

- Daños o fallas del producto causados por accidente o actos de Dios, tales como inundaciones incendios o terremotos.
- Daños o fallas causadas por alteración del producto o por el uso de partes no-originales.
- Daños o fallas del producto causados durante la entrega, manejo o instalación.
- Daños o fallas del producto causados por abuso del usuario.
- Daños o fallas del producto causados por reemplazo de fusibles dañados o reseteo de interruptor de circuito.
- Daño o fallas causados por el uso del producto en un ambiente comercial (no doméstico).
- Viajes de servicio debidos a dudas sobre el uso o instalación del producto.
- Bombillas, filtros de carbón o metal y cualquier otra parte consumible.
- Desgaste normal.
- Desgaste terminal debido a abusos del usuario, mantenimiento inadecuado, uso de productos / toallas de limpieza corrosivos o abrasivos y por uso de limpiadores para hornos.

QUIEN ESTA CUBIERTO

Esta garantía se extiende al comprador original de productos adquiridos para uso residencial en Norte América (incluyendo Estados Unidos, Guam, Puerto Rico, Islas Vírgenes de USA y Canadá).

Esta garantía no es transferible y aplica solamente al comprador original y no se extiende a propietarios subsecuentes del producto. Esta garantía se expresa en lugar de otras garantías, expresadas o implicadas, incluyendo, pero no limitada a ninguna garantía implicada de comercialización o adaptada para propósitos particulares y cualquier otra obligación por parte de Elica North America, considerando, sin embargo, que si la negación de garantías implícitas es inefectiva bajo la ley aplicable, la duración de cualquier garantía implícita será limitada a dos (2) años desde la fecha original de compra o por el periodo necesario como sea requerido por la ley aplicable.

Esta garantía no cubre cualquier daño especial, incidental y/o consecuente, ni pérdidas de ganancias, sufridas por el comprador original, sus clientes y/o usuarios del producto.

A QUIEN CONTACTAR

Para obtener Servicio bajo Garantía o para cualquier pregunta relacionada a Servicio.

Favor de llamar:

- Servicio Autorizado de Elica North America al (888) 732-8018

O escribiendo a:

- Elica North America, Atención a Servicio a Clientes,
6658 156th Avenue SE,
Bellevue, WA 98006 USA
infoamericas@elica.com

