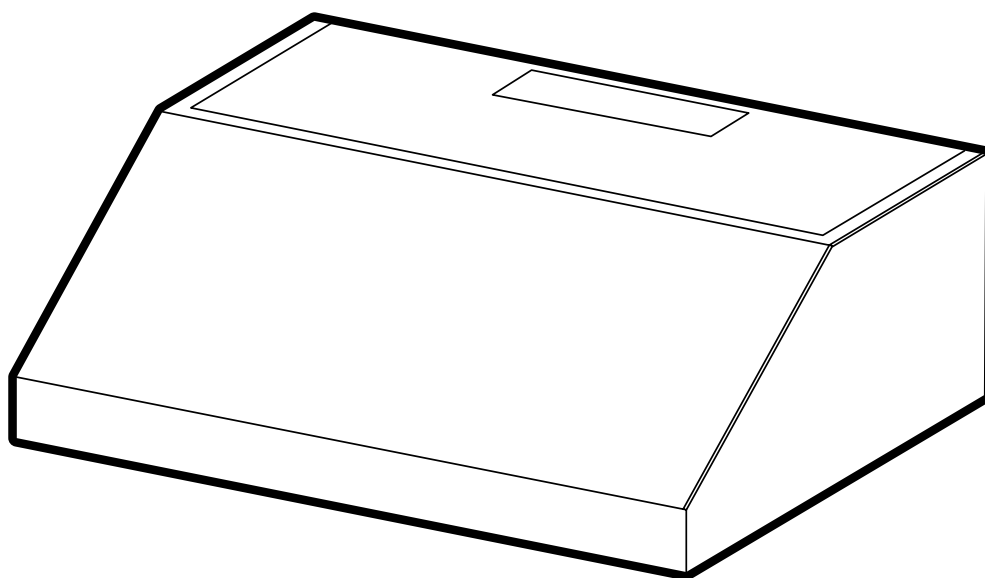


**Use, Care, and Installation Guide**  
**Guide d'utilisation, d'entretien et d'installation**  
**Guía de instalación, uso y mantenimiento**



**READ AND SAVE THESE INSTRUCTIONS**  
**LISEZ CES INSTRUCTIONS ET CONSERVEZ-LES**  
**READ AND SAVE THESE INSTRUCTIONS**

<b>EN</b>	<b>Contents</b>	<b>page</b>	<b>2</b>
<b>FR</b>	<b>Sommaire</b>	<b>page</b>	<b>12</b>
<b>ES</b>	<b>Contenido</b>	<b>página</b>	<b>22</b>

**English**

**Contents**

Important Safety Notice.....	3
Electrical & Installation Requirements.....	4
List of Materials.....	5
Parts Supplied.....	5
Parts not Supplied.....	5
Product Dimensions.....	5
Locations Requirements.....	5
Venting Requirements.....	6
Installation.....	7
Make electrical connection.....	9
Complete Installation and check operation.....	9
Range hood use.....	9
Range hood care.....	10
Warranty.....	11

**APPROVED FOR RESIDENTIAL  
APPLIANCES FOR RESIDENTIAL  
USE ONLY  
READ AND SAVE THESE INSTRUCTIONS**

**PLEASE READ ENTIRE INSTRUCTIONS BEFORE PROCEEDING.  
INSTALLATION MUST COMPLY WITH ALL LOCAL CODES.**

**IMPORTANT:** Save these Instructions for the Local Electrical Inspector’s use.  
**INSTALLER:** Please leave these instructions with this unit for the owner.  
**OWNER:** Please retain these instructions for future reference.

**Safety Warning:** Turn off power circuit at service panel and lock out panel, before wiring this appliance.  
**Requirement:** 120 V AC, 60 Hz. 15 or 20 A Branch Circuit.

# READ AND SAVE THESE INSTRUCTIONS

## Important safety Notice

### CAUTION

**FOR GENERAL VENTILATING USE ONLY. DO NOT USE TO EXHAUST HAZARDOUS OR EXPLOSIVE MATERIALS OR VAPOURS.**

### WARNING

**TO REDUCE THE RISK OF FIRE, ELECTRIC SHOCK, OR INJURY TO PERSONS, OBSERVE THE FOLLOWING:**

- A. Use this unit only in the manner intended by the manufacturer. If you have questions, contact the manufacturer.
- B. Before servicing or cleaning the unit, switch power off at service Installation Work and Electrical Wiring Must Be Done By Qualified Person(s) In Accordance With All Applicable Codes & Standards, Including Fire-rated Construction.
- C. Sufficient air is needed for proper combustion and exhausting of gases through the flue (Chimney) of fuel burning equipment to prevent back-drafting. Follow the heating equipment manufacturers guideline and safety standards such as those published by the National Fire Protection Association (NFPA), the American Society for Heating, Refrigeration and Air Conditioning Engineers (ASHRAE), and the local code authorities.
- D. When cutting or drilling into wall or ceiling, do not damage electrical wiring and other hidden utilities.
- E. Ducted systems must always be vented to the outdoors.

### CAUTION

**To reduce risk of fire and to properly exhaust air, be sure to duct air outside - do not vent exhaust air into spaces within walls, ceilings, attics, crawl spaces, or garages.**

### WARNING

**TO REDUCE THE RISK OF FIRE, USE ONLY METAL DUCT WORK.**

Install this hood in accordance with all requirements specified.

### WARNING

**To Reduce The Risk Of Fire Or Electric Shock, Do Not Use This Hood With Any External Solid State Speed Control Device.**

### WARNING

**TO REDUCE THE RISK OF A RANGE TOP GREASE FIRE.**

- a) Never leave surface units unattended at high settings. Boilovers cause smoking and greasy spillovers that may ignite. Heat oils slowly on low or medium settings.
- b) Always turn hood ON when cooking at high heat or when flambeing food (I.e. Crepes Suzette, Cherries Jubilee, Pepper-corn Beef Flambe').
- c) Clean ventilating fans frequently. Grease should not be allowed to accumulate on fan or filter.
- d) Use proper pan size. Always use cookware appropriate for the size of the surface element.

### WARNING

**TO REDUCE THE RISK OF INJURY TO PERSONS, IN THE EVENT OF A RANGE TOP GREASE FIRE, OBSERVE THE FOLLOWING:**

- a) SMOTHER FLAMES with a close-fitting lid, cookie sheet, or other metal tray, then turn off the gas burner or the electric element.
- b) BE CAREFUL TO PREVENT BURNS. If the flames do not go out immediately, EVACUATE AND CALL THE FIRE DEPARTMENT.
- c) NEVER PICK UP A FLAMING PAN - you may be burned.
- d) DO NOT USE WATER, including wet dishcloths or towels - a violent steam explosion will result.
- e) Use an extinguisher **ONLY** if:
  - 1) You know you have a class ABC extinguisher, and you already know how to operate it.
  - 2) The fire is small and contained in the area where it started.
  - 3) The fire department is being called.
  - 4) You can fight the fire with your back to an exit.

### OPERATION

a. Always leave safety grills and filters in place. Without these components, operating blowers could catch onto hair, fingers and loose clothing.

The manufacturer declines all responsibility in the event of failure to observe the instructions given here for installation, maintenance and suitable use of the product. The manufacturer further declines all responsibility for injury due to negligence and the warranty of the unit automatically expires due to improper maintenance.

# Electrical & Installation requirements

## Electrical requirements

### IMPORTANT

Observe all governing codes and ordinances.

It is the customer's responsibility:

- To contact a qualified electrical installer.
- To assure that the electrical installation is adequate and in conformance with National Electrical Code, ANSI/NFPA 70 — latest edition\*, or CSA Standards C22.1-94, Canadian Electrical Code, Part 1 and C22.2 No.0-M91 - latest edition\*\* and all local codes and ordinances.
- If codes permit and a separate ground wire is used, it is recommended that a qualified electrician determine that the ground path is adequate.
- Do not ground to a gas pipe.
- Check with a qualified electrician if you are not sure range hood is properly grounded.
- Do not have a fuse in the neutral or ground circuit.

### IMPORTANT

- Save Installation Instructions for electrical inspector's use.
- The range hood must be connected with copper wire only.
- The range hood should be connected directly to the fused disconnect (Or circuit breaker) box through metal electrical conduit.
- Wire sizes must conform to the requirements of the National Electrical Code ANSI/NFPA 70 — latest edition\*, or CSA Standards C22.1-94, Canadian Electrical Code Part 1 and C22.2 No. 0-M91 - latest edition\*\* and all local codes and ordinances.
- A U.L.- or C.S.A.-listed conduit connector must be provided at each end of the power supply conduit (at the range hood and at the junction box).

Copies of the standards listed may be obtained from:

\* National Fire Protection Association Batterymarch Park Quincy, Massachusetts 02269

\*\* CSA International 8501 East Pleasant Valley Road Cleveland, Ohio 44131-5575

## Before installing the hood

1. For the most efficient air flow exhaust, use a straight run or as few elbows as possible.  
CAUTION: Vent unit to outside of building, only.
2. At least two people are necessary for installation.
3. Fittings material is provided to secure the hood to most types of walls/ceilings, consult a Qualified Installer, check if they perfectly fit with your cabinet/wall.
4. Do not use flex ducting.
5. COLD WEATHER installations should have an additional backdraft damper installed to minimize backward cold air flow and a nonmetallic thermal break to minimize conduction of outside temperatures as part of the ductwork. The damper should be on the cold air side of the thermal break.  
The break should be as close as possible to where the ducting enters the heated portion of the house.
6. Make up air: Local building codes may require the use of Make-Up Air Systems when using Ducted Ventilation Systems greater than specified CFM of air movement.  
The specified CFM varies from locale to locale. Consult your HVAC professional for specific requirements in your area.

## Removing the packaging

### CAUTION!

Remove carton carefully, Wear gloves to protect against sharp edges.

### WARNING!

Remove the protective film

# List of Materials

## Removing the packaging

### CAUTION!

Remove carton carefully, wear gloves to protect against sharp edges.

### WARNING!

Remove the protective film covering the product before putting into operation.

## Parts supplied

- Hood canopy assembly with blower.
- Lamps already installed.
- Transition with damper (3 $\frac{1}{4}$ " x 10" rectangular)
- Grease filter.
- Hardware bag with:
  - Use, care and installation guide
  - 4 - 4x8 mm screws (to assemble Transition)
  - 6 - 4.5x13 mm screws
  - 4 - 5x4.5 mm screws
  - 4 - 10 x 50 mm wall anchors
  - T20 TORX<sup>†</sup> adapter

## Tools/Materials required

- Wire nuts
- Metal duct length to suit installation
- $\frac{1}{2}$ " Romex wire connector
- Measuring tape
- Pliers
- Gloves
- Knife
- Safety glasses
- Electric drill with  $\frac{5}{16}$ " and  $\frac{3}{8}$ " Bits
- Spirit level
- Duct tape
- Screw drivers
  - Philips (Posidrive #2)
  - Torx #2
- Wire cutter/ stripper
- Masking tape
- Hammer
- Saw, jigsaw or reciprocating saw

# Location Requirements

**IMPORTANT:** Observe all governing codes and ordinances. Have a qualified technician install the range hood. It is the installer's responsibility to comply with installation clearances specified on the model/serial rating plate. The model/serial rating plate is located behind the left filter on the rear wall of the vent hood.

Canopy hood location should be away from strong draft areas, such as windows, doors and strong heating vents.

Cabinet opening dimensions that are shown must be used. Given dimensions provide minimum clearance.

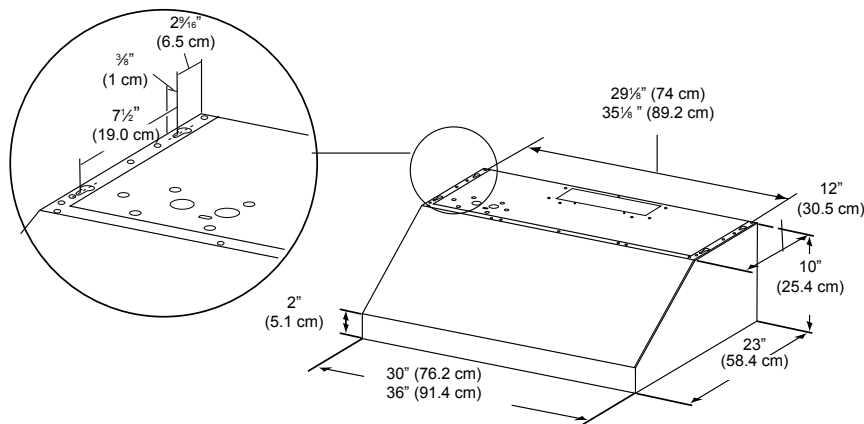
Grounded electrical outlet is required. See "Electrical Requirements" section.

The canopy hood is factory set for venting through the roof or wall. For non-vented (recirculating) installation see the installation instructions in this guide. Recirculation Kit is available from your dealer or an authorized parts distributor. All openings in ceiling and wall where canopy hood will be installed must be sealed.

## For Mobile Home Installations

The installation of this range hood must conform to the Manufactured Home Construction Safety Standards, Title 24 CFR, Part 328 (formerly the Federal Standard for Mobile Home Construction and Safety, Title 24, HUD, Part 280) or when such standard is not applicable, the standard for Manufactured Home Installation 1982 (Manufactured Home Sites, Communities and Setups) ANSI A225.1/NFPA 501A, or latest edition, or with local codes.

# Product Dimensions



<sup>†</sup>®TORX is a registered trademark of Saturn Fasteners, Inc.

# Venting Requirements

## (Ducted models only)

- Vent system must terminate to the outdoors.
- Do not terminate the vent system in an attic or other enclosed area.
- Do not use a 4" (10.2 cm) laundry-type wall cap.
- Use metal vent only. Rigid metal vent is recommended. Plastic or metal foil vent is not recommended.
- The length of vent system and number of elbows should be kept to a minimum to provide efficient performance.

## For the most efficient and quiet operation:

- Use no more than three 90° elbows.
- Make sure there is a minimum of 24" (61 cm) of straight vent between the elbows if more than 1 elbow is used.
- Do not install 2 elbows together.
- Use clamps to seal all joints in the vent system and use furnace duct tape to fully seal joint connection.
- Use caulking to seal exterior wall or roof opening around the cap.
- The size of the vent should be uniform.

## Cold weather installations

An additional back draft damper should be installed to minimize backward cold air flow and a thermal break should be installed to minimize conduction of outside temperatures as part of the vent system. The damper should be on the cold air side of the thermal break. The break should be as close as possible to where the vent system enters the heated portion of the house.

## Make up air

Local building codes may require the use of makeup air systems when using ventilation systems with greater than specified CFM of air movement. The specified CFM varies from locale to locale.

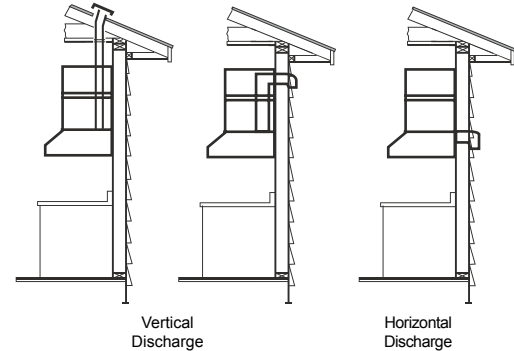
Consult your HVAC professional for specific requirements in your area.

## Venting Methods

The hood is designed for vertical or horizontal discharge.

- Vertical discharge: Use a 3¼" x 10" rectangular duct.
- Horizontal discharge: Use a 3¼" x 10" rectangular duct.

NOTE: Flexible vent is not recommended. Flexible vent creates back pressure and air turbulence that greatly reduce performance. Vent system can terminate either through the roof or wall.



## Preparation

Do not cut a joist or stud unless absolutely necessary. If a joist or stud must be cut, then a supporting frame must be constructed. Fittings material is provided to secure the hood to most types of walls/ceilings. However, a qualified technician must verify suitability of the materials in accordance with the type of wall/ceiling.

Before making cutouts, make sure there is proper clearance within the ceiling or wall for exhaust vent.

Hood installation height above cooktop is the users preference. The lower the hood is above the cooktop, the more efficient the capturing of cooking odors, grease and smoke.

## CAUTION

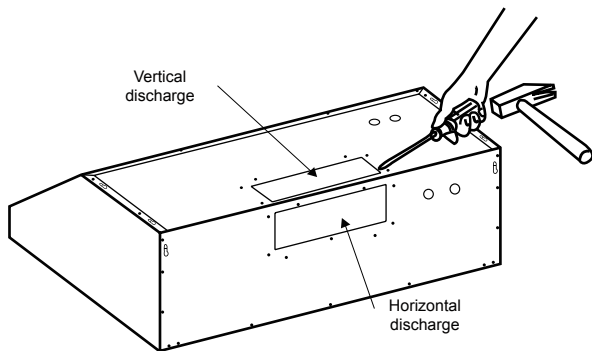
Mount this hood so that the bottom edge is at 30" (76.2 cm) minimum or 36" (91.4 cm) maximum above the cooking surface. Household use, please, read installation manual for specific application. Check your ceiling height and the hood height maximum before you select your hood.

# Installation

## Installation- Ducting version

After having chosen the vent option, proceed as follows:

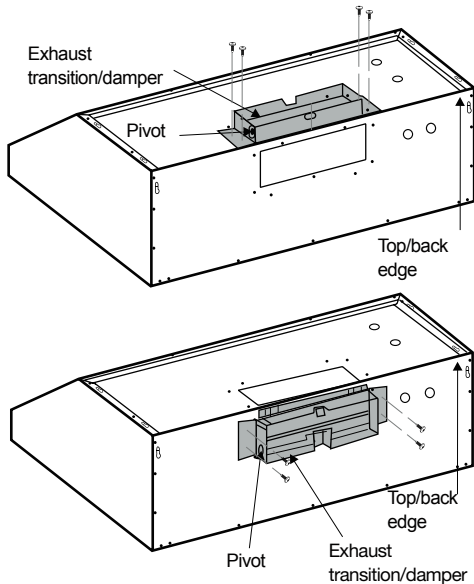
- Prepare duct and conduit cut outs as needed.
- If possible, disconnect and move freestanding or slide-in range from cabinet opening to provide easier access to rear wall. Otherwise put a thick, protective covering over countertop, cooktop or range to protect from damage and debris. Select a flat surface for assembling the unit. Cover that surface with a protective covering and place all canopy hood parts and hardware in it.
- Determine and mark the centerline on the wall where the canopy hood will be installed. Select a mounting height comfortable for the user and mark on wall.
- Prepare duct and conduit cut outs as needed.
- Remove the duct knockouts using a flat blade screwdriver and a small hammer.
- Use the screwdriver by knocking out the panel in similar fashion to a scalpel.
- Take care of sharp edges.



Attach exhaust adaptor/damper over knockout opening with four exhaust adaptor screws. Make sure damper pivot is nearest to top/back edge of hood.

Remove tape from damper flap.

NOTE: The exhaust adaptor/damper can be installed up to 1 inch on either side of the hood center to accommodate offcenter ductwork. In extreme offcenter installations, one end of the duct connector may need to be trimmed to clear the electrical cable clamp.



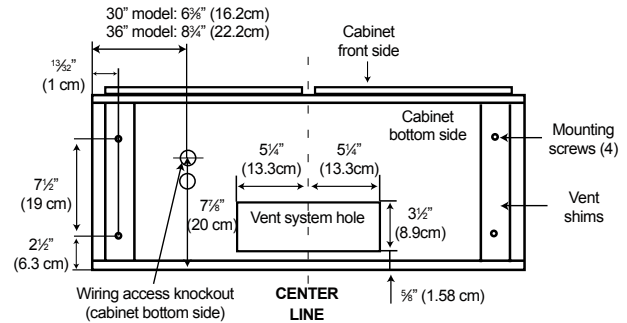
## Mark holes

Select the vent option that your installation will require and proceed to that section:

### Outside top exhaust

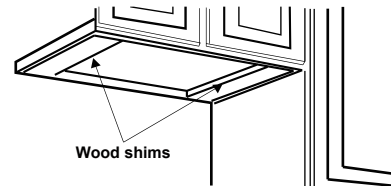
(Vertical duct— 3¼" x 10" Rectangular)

Use the diagram or the hood as a template and mark the locations on the cabinet for ductwork, electrical wiring and keyhole screw slots.



### For recessed bottom cabinet only

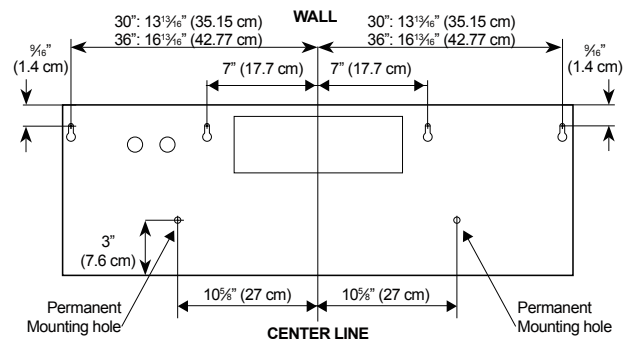
If the cabinets have front, side or back trim, make 2 wood shims the width of the trim and attach them to the cabinet bottom recess on both sides.



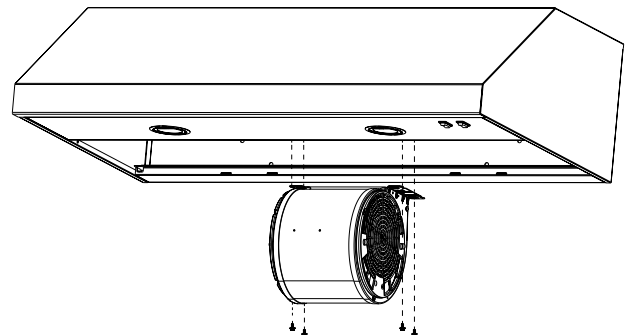
### Outside rear exhaust

(Horizontal duct— 3¼" x 10" Rectangular)

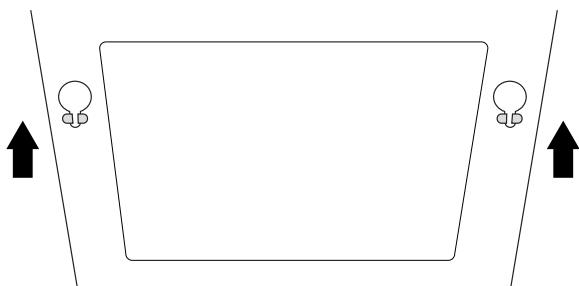
Use the diagram or the hood as a template and mark the locations on the cabinet for ductwork, electrical wiring and keyhole screw slots



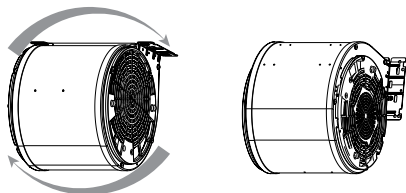
- Remove the grease filters.
- Remove the blower mounting screws.



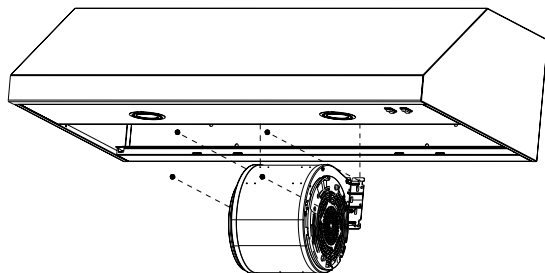
- Set free the two blower springs from the top of the range hood housing.



- Flip the blower base to the rear face of the range hood.



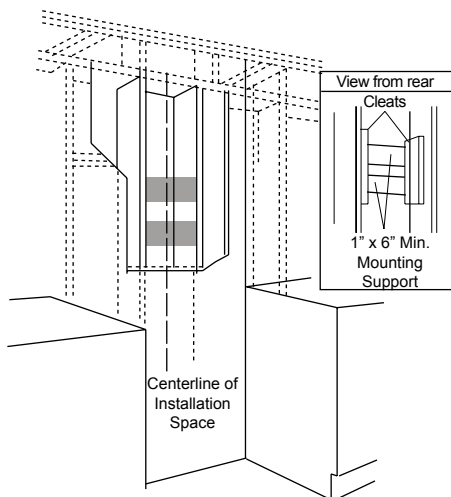
- Insert the two blower springs to the top of the range hood housing. Secure it with the four mounting screws previously released.



### Installation to wall Install framing for hood support

- If drywall is present, mark the screw hole locations. Remove the template.
- Cut away enough drywall to expose 2 vertical studs at the holes location indicated by the template. Install two horizontal supports at least 4" x 2" between two wall studs at the bottom and upper mounting holes installation location.
- The horizontal support must be flush with the room side of the studs. Use cleats behind both sides of the support to secure wall studs.
- Reinstall drywall and refinish.

**IMPORTANT:** Framing must be capable of supporting 100 lbs.



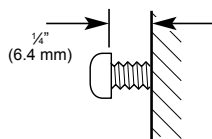
- Cut holes at marked locations for duct and electrical wiring.
- For the vertical duct, cut out  $\frac{3}{4}$ " extra toward the front of the cabinet so you can move the duct freely when installing the hood.
- It may also be easy installation by cutting the hole  $10\frac{1}{2}$ " instead of 10".

### Install Range hood

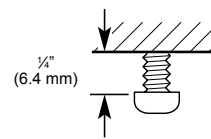
- Drive a mounting screw (from the hardware package) partway into each center of the narrow neck of the keyhole slots marked on the cabinet bottom or the wall's support frame.



- Install the 2 (wall installation) or 4 (cabinet installation) 5 x 45 mm mounting screws. Leave a  $\frac{1}{4}$ " (6.4 mm) gap between the wall and the back of the screw head to slide range hood into place.



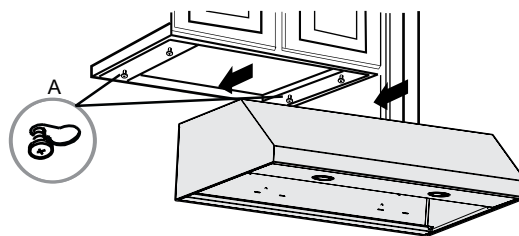
Wall Installation



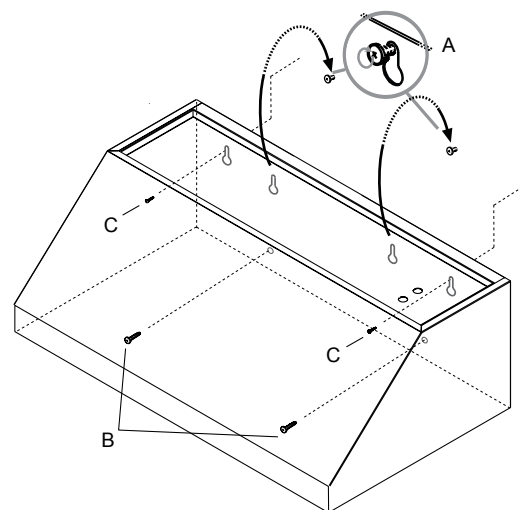
Cabinet Installation

- Fix the wiring conduit of the hood.
- Slide the hood back against the cabinet/wall. Tighten the mounting screws. Be sure the screw heads are in the narrow neck of the keyhole slot.
- In wall installations, mount the security screws as shown in the image below.

### Cabinet Installation



### Wall installation



A. Mounting Screws  
B. Lower security screws (Wall Installation)  
C. Upper security screws (Wall Installation)

- Connect Ductwork to hood.



# Make Electrical Connection

## WARNING: Electrical Shock Hazard

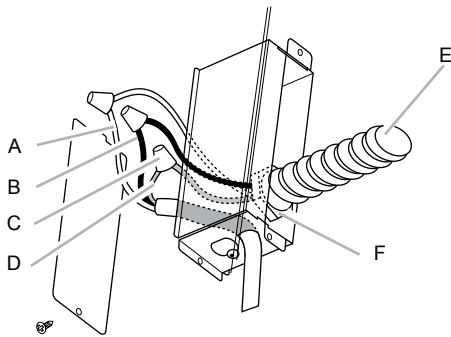
Turn off the power circuit at the service panel before wiring this unit. 120 VAC, 15 or 20 Amp circuit required.

Failure to do so can result in death or electrical shock.

### ELECTRICAL GROUNDING INSTRUCTIONS

THIS APPLIANCE IS FITTED WITH AN ELECTRICAL JUNCTION BOX WITH 3 WIRES, ONE OF WHICH (GREEN/YELLOW) SERVES TO GROUND THE APPLIANCE. TO PROTECT YOU AGAINST ELECTRIC SHOCK, THE GREEN AND YELLOW WIRE MUST BE CONNECTED TO THE GROUNDING WIRE IN YOUR HOME ELECTRICAL SYSTEM, AND IT MUST UNDER NO CIRCUMSTANCES BE CUT OR REMOVED

1. Remove the knockout and the Junction box cover and install the conduit connector (cULus listed) in junction box.



A. White wires  
B. Black wires  
C. UL listed wire connector  
D. Green (or bare) and yellow-green ground wire

E. Home power supply cable  
F. UL listed or CSA approved 1/2" strain relief

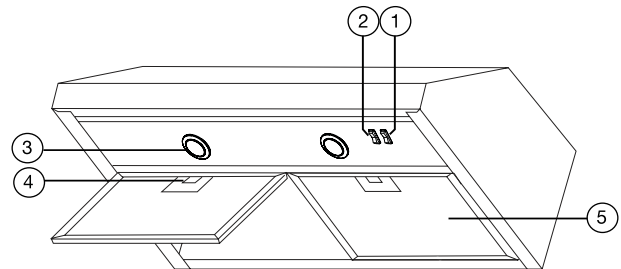
2. Run 3 wires; black, white and green, according to the National Electrical Code and local codes and ordinances, in 1/2" conduit from service panel to junction box.
3. Connect black wire from service panel to black or red in junction box, white to white and green to green yellow.
4. Close and secure junction box cover.

# Complete Installation and Check Operation

1. Replace the two lateral supports
2. Replace filters
3. Check operation of the hood.
4. If the range hood does not operate, check to see whether a circuit breaker has tripped or a household fuse has blown. Disconnect power supply and check that the wiring is correct.

Keep your Installation Instructions and Use and Care Guide close to range hood for easy reference.

## Range hood use



1. Light control switch  
2. Fan control switch  
3. Lamp housings

4. Grease filter Handle  
5. Grease filter

### Description of control panel



Fan Low/OFF/Hi



Ligh Low/OFF/Hi

### LIGHT Control

Set light switch to OFF, LOW or HI intensity as needed.

### FAN Control

Set fan switch to OFF, LOW or HI speed as needed.

ALWAYS USE THE HIGH SETTING WHEN GRILLING.

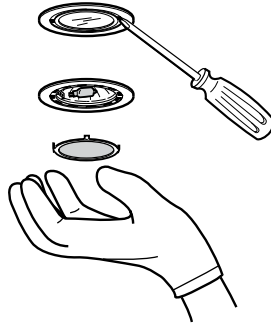
# Range hood care

## Replacing an Halogen Lamp

Turn off the range hood and allow the halogen lamp to cool. To avoid damage or decreasing the life of the new lamp, do not touch lamp with bare fingers. Replace lamp, using tissue or wearing cotton gloves to handle lamp.

If new lamps do not operate, make sure the lamps are inserted correctly before calling service.

1. Disconnect power.
2. Use a flat-blade screwdriver and gently pry the light cover loose.
3. Remove the lamp and replace with a 120-volt, 40-watt maximum, halogen lamp made for a G-9 base.



4. Replace the light cover.
5. Reconnect power.

# Cleaning

Do not spray cleaners directly to the control while cleaning the Hood. The cooker hood should be cleaned regularly (at least with the same frequency with which you carry out maintenance of the fat filters) internally and externally. Clean using the cloth dampened with neutral liquid detergent. Do not use abrasive products.

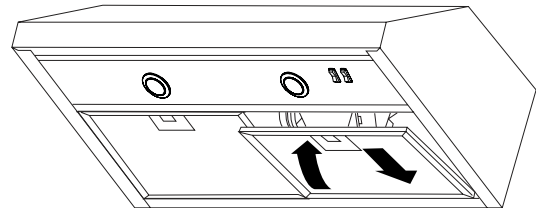
**DO NOT USE ALCOHOL!**

**WARNING:** Failure to carry out the basic cleaning recommendations of the cooker hood and replacement of the filters may cause fire risks. Therefore, we recommend observing these instructions. The manufacturer declines all responsibility for any damage to the motor or any fire damage linked to inappropriate maintenance or failure to observe the above safety recommendations.

## Grease filter

### To Remove metal grease filters:

- Use 2 hands to remove the metal grease filters.
- Grasp filter handles, push toward the rear of the range hood and pull down on the front handle to remove.



- Repeat for each filter.
- Wash metal grease filters as needed in a dishwasher or hand wash in a hot detergent solution to clean.

### To Reinstall Metal grease filters:

- Grasp filter handles and place rear of filter into rear track.
- Push down on the rear handle and set the front of the grease filter into the front track to secure.
- Repeat for each filter.

# WARRANTY

***ELICA North America***

**TWO-YEARS LIMITED WARRANTY**

## **TO OBTAIN SERVICE UNDER WARRANTY**

Owner must present proof of original purchase date. Please keep a copy of your dated proof of purchase (sales slip) in order to obtain service under warranty.

## **PARTS AND SERVICE WARRANTY**

For the period of two (2) years from the date of the original purchase, Elica will provide free of charge, non consumable parts or components that failed due to manufacturing defects. During these two (2) years limited warranty, Elica will also provide free of charge, all labor and in-home service to replace any defective parts.

## **WHAT IS NOT COVERED**

- Damage or failure to the product caused by accident or act of God, such as, flood, fire or earthquake.
- Damage or failure caused by modification of the product or use of non-genuine parts.
- Damage or failure to the product caused during delivery, handling or installation.
- Damage or failure to the product caused by operator abuse.
- Damage or failure to the product caused by dwelling fuse replacement or resetting of circuit breakers.
- Damage or failure caused by use of product in a commercial application.
- Service trips to dwelling to provide use or installation guidance.
- Light bulbs, metal or carbon filters and any other consumable part.
- Normal wear of finish.
- Wear to finish due to operator abuse, improper maintenance, use of corrosive or abrasive cleaning products/pads and oven cleaner products.

## **WHO IS COVERED**

This warranty is extended to the original purchaser for products purchased for ordinary residential use in North America (Including the United States, Guam, Puerto Rico, US Virgin Islands & Canada).

This warranty is non-transferable and applies only to the original purchaser and does not extend to subsequent owners of the product. This warranty is made expressly in lieu of all other warranties, expressed or implied, including, but not limited to any implied warranty of merchantability or fitness for a particular purpose and all other obligations on the part of Elica North America, provided, however, that if the disclaimer of implied warranties is ineffective under applicable law, the duration of any implied warranty arising by operation of law shall be limited to two (2) years from the date of original purchase at retail or such longer period as may be required by applicable law.

This warranty does not cover any special, incidental and/or consequential damages, nor loss of profits, suffered by the original purchaser, its customers and/or the users of the Products.

## **WHO TO CONTACT**

To obtain service under warranty or for any service related question:

- Elica North America Authorized Service - (714) 428-0046
- [elica@servicepower.com](mailto:elica@servicepower.com)

## Français

### Sommaire

Avis de sécurité important.....	13
Exigences électriques et d'installation.....	14
Outils et pièces.....	15
Pièces fournies.....	15
Pièces nécessaires.....	15
Dimensions du produit.....	15
Exigences d'emplacement.....	16
Exigences concernant l'évacuation.....	16
Installation.....	17
Raccordement électrique.....	19
Achever l'installation et vérifier le fonctionnement.....	19
Utilisation de la hotte.....	19
Entretien de la hotte de cuisinière.....	20
Garantie.....	21

## APPROUVÉ COMME APPAREIL DOMESTIQUE POUR UNE UTILISATION RÉSIDENIELLE SEULEMENT LISEZ CES INSTRUCTIONS ET CONSERVEZ-LES

**VEUILLEZ LIRE CES INSTRUCTIONS AU COMPLET AVANT DE COMMENCER.**

**L'INSTALLATION DE L'APPAREIL DOIT RESPECTER TOUS LES CODES EN VIGUEUR.**

**IMPORTANT:** Conservez ces instructions afin de pouvoir les remettre à l'inspecteur-électricien de votre région.

**INSTALLATEUR:** Veuillez laisser ces instructions avec l'appareil pour le propriétaire.

**PROPRIÉTAIRE:** Veuillez conserver ces instructions pour pouvoir vous y référer plus tard.

**Avertissement de sécurité:** Coupez l'alimentation du circuit dans le panneau électrique et verrouillez le panneau avant de raccorder les fils de cet appareil.

**Exigence:** 120 V c.a., 60 Hz circuit de dérivation de 15 V c.a., 20 Hz, de 15 ou 20 A.

# LIRE ET CONSERVER CES INSTRUCTIONS

## Avis de sécurité important

### ATTENTION

UTILISER CET APPAREIL À DES FINS DE VENTILATION GÉNÉRALE SEULEMENT. NE PAS UTILISER CET APPAREIL POUR ÉVACUER DES MATÉRIAUX OU DES VAPEURS DANGEREUX OU EXPLOSIFS.

### AVERTISSEMENT

POUR RÉDUIRE LES RISQUES D'INCENDIE, DE CHOC ÉLECTRIQUE ET DE BLESSURE, RESPECTER LES DIRECTIVES SUIVANTES :

- A. Utiliser cet appareil uniquement aux fins prévues par le fabricant. Si vous avez des questions à propos de l'appareil, communiquez avec le fabricant.
- B. Avant de faire l'entretien de l'appareil ou de le nettoyer, coupez l'alimentation dans le panneau électrique et verrouillez le panneau en bloquant le dispositif permettant d'empêcher d'activer l'alimentation accidentellement. S'il n'est pas possible de verrouiller l'accès au panneau, fixez une étiquette très voyante au panneau électrique.
- C. Une personne qualifiée doit effectuer l'installation et le câblage des fils électriques en conformité avec tous les codes et toutes les normes, y compris la cote de résistance au feu.
- D. Il est important de prévoir suffisamment d'air pour assurer une bonne combustion de l'équipement de chauffe et l'évacuation adéquates des gaz par le conduit de cheminé afin de prévenir les refoulements d'air. Respectez les directives et les normes de sécurité des fabricants de l'équipement de chauffage, comme celles publiées par la National Fire Protection Association (NFPA), la American Society for Heating, Refrigeration and Air Conditioning Engineers (ASHRAE) et le code des autorités de votre région.
- E. Au moment de couper ou de percer un mur ou un plafond, assurez-vous de ne pas endommager la filerie électrique ou tout autre accès à un service publique.
- F. Il faut toujours évacuer à l'extérieur les systèmes à conduit.

### ATTENTION

Pour réduire les risques d'incendie et évacuer l'air correctement, assurez-vous que le conduit mène à l'extérieur; il ne faut pas évacuer l'air dans l'espace entre les murs, dans les plafonds, dans les greniers, les vides sanitaires ou les garages.

### AVERTISSEMENT

POUR RÉDUIRE DES RISQUES D'INCENDIE, UTILISEZ UNIQUEMENT DES CONDUITS EN MÉTAL.

Installez cette hotte en respectant toutes les exigences mentionnées.

### AVERTISSEMENT

Pour réduire les risques d'incendie et de choc électrique, n'utilisez pas cette hotte avec un contrôleur de vitesse à semi-conducteurs.

### AVERTISSEMENT

POUR RÉDUIRE LES RISQUES D'INCENDIE DE GRAISSE SUR LES CUISINIÈRES.

- a) Ne laissez jamais la cuisinière sans surveillance lorsqu'elle est réglée à une haute température. Les débordements par bouillonnement causent de la fumée et des débordements de gras qui peuvent s'enflammer. Faites chauffer l'huile lentement, à une température basse ou moyenne.
- b) Faites toujours fonctionner la hotte lorsque vous utilisez la cuisinière à une haute température ou que vous faites flamber des aliments (P. ex. : crêpes Suzette, cerises jubiléées, boeuf au poivre flambé).
- c) Nettoyez les hélices de ventilation fréquemment. Il ne faut pas que la graisse s'accumule sur les filtres ou les hélices.
- d) Utilisez le bon format de casserole. Utilisez toujours un chaudron de taille approprié à l'élément de la cuisinière.

### AVERTISSEMENT

POUR ÉVITER DE BLESSER QUELQU'UN LORS D'UN INCENDIE DE GRAISSE SUR LA CUISINIÈRE, SUIVRE LES CONSEILS SUIVANTS: <sup>a</sup>

- a) ÉTOUFFER LES FLAMMES avec un couvercle aux dimensions de la taque de cuisson, une tôle à biscuit ou tout autre plateau métallique, puis couper le gaz ou l'alimentation électrique de la cuisinière. FAIRE ATTENTION A NE PAS SE BRÛLER. Si les flammes ne s'éteignent pas immédiatement, QUITTER LA PIÈCE ET APPELER LES POMPIERS.
- b) NE JAMAIS PRENDRE EN MAIN UNE CASSEROLE EN FEU, vous pourriez vous blesser.
- c) NE PAS UTILISER D'EAU, y compris les essuies de vaisselle ou les serviettes humides – une violente explosion due à la vapeur formée pourrait survenir.
- d) Utiliser un extincteur SEULEMENT si:
  - 1) Vous êtes sûr d'avoir un extincteur de classe ABC que vous savez utiliser.
  - 2) Le feu est petit et confiné à la zone où il s'est formé.
  - 3) Les pompiers ont été appelés.
  - 4) Vous pouvez lutter contre le feu avec une sortie derrière vous.

<sup>a</sup> Recommandations tirées des conseils de sécurité en cas d'incendie de cuisine publiés par la NFPA.

### MODE OPÉRATOIRE

a. Toujours laisser les grilles de sécurité et les filtres à leur place. Sans la présence de ces derniers, les parties aspirantes pourraient attirer les cheveux, les doigts ou les vêtements.

Le fabricant décline toute responsabilité si les informations détaillées dans ce manuel pour l'installation, l'entretien et l'utilisation adéquate du produit ne sont pas observées. Le fabricant décline en outre toute responsabilité pour d'éventuelles blessures dues à des négligences; en outre, la garantie de l'appareil sera annulée suite à des conditions d'entretien inappropriées. Cet appareil est fabriqué pour un usage interne. Ne pas utiliser cet appareil à l'extérieur.

# Exigences électriques et d'installation

## Spécifications électriques

### IMPORTANT

Respectez tous les codes et les ordonnances en vigueur.

Le client a la responsabilité de:

Contactez un électricien-installateur.

Vérifier que l'installation électrique est adéquate et conforme avec le Code national de l'électricité, ANSI/NFPA 70 (la plus récente édition\*), ou les normes C22.1-94, Code canadien de l'électricité, Partie 1 et C22.2 No.0-M91 (La plus récente édition\*\*) de la CSA, ainsi que tous les codes et les ordonnances de votre région.

Si le code le permet et que vous utilisez un fil de mise à la terre distinct, il est recommandé de faire vérifier le chemin du fil par un électricien.

Ne pas mettre l'appareil à la terre sur une conduite de gaz.

Consultez un électricien qualifié si vous n'êtes pas certain que la hotte est mise à la terre correctement.

N'installez pas un fusible dans le circuit neutre ou le circuit de mise à la terre.

### IMPORTANT

Conservez ces instructions afin de pouvoir les remettre à l'inspecteur-électricien.

La hotte doit être câblée uniquement à l'aide de fils de cuivre.

Il faut raccorder la hotte directement à une boîte à fusible ou à un disjoncteur par l'entremise d'une canalisation électrique en métal.

Le calibre de fil doit être conforme aux exigences du Code national de l'électricité, ANSI/NFPA 70 (La plus récente édition\*), ou les normes C22.1-94, Code canadien de l'électricité, Partie 1 et C22.2 0-M91 (La plus récente édition\*\*) de la CSA, ainsi que tous les codes et les ordonnances de votre région.

Il faut prévoir un connecteur de canalisation approuvé par l'UL ou la CSA à chaque extrémité de la canalisation d'alimentation (À la hotte et à la boîte de jonction).

Vous pouvez obtenir un exemplaire des normes indiquées en vous adressant à :

\* La National Fire Protection Association, Batterymarch Park  
Quincy, Massachusetts, 02269

\*\* La CSA International, 8501 East Pleasant Valley Road,  
Cleveland, Ohio, 44131-5575

## Avant d'installer la hotte

5. Pour assurer la ventilation la plus efficace possible, installez la conduite en ligne droite ou avec le moins de coudes possibles.  
**ATTENTION:** La sortie de la conduite de ventilation doit donner sur l'extérieur.
6. Deux personnes sont nécessaires pour effectuer l'installation.
7. La quincaillerie fournie permet de fixer la hotte à la plupart des murs et des plafonds; consultez un installateur qualifié pour vous assurer que la quincaillerie fournie est adaptée à votre type de mur ou d'armoire.
8. N'utilisez pas de conduit flexible.
9. Dans le cas des endroits sujets aux TEMPÉRATURES FROIDES, il faut installer un clapet de contre-tirage supplémentaire afin de minimiser le retour d'air froid et un isolant thermique non métallique afin de minimiser la conduction de la température extérieure dans le conduit. Il faut placer le clapet du côté de l'air froid de l'isolant thermique. L'isolant doit être placé le plus près possible de l'endroit où le conduit entre dans la partie chauffée de la maison.
10. Air d'appoint : Le code du bâtiment de votre région peut exiger l'utilisation d'un système d'air d'appoint si vous utilisez un système de ventilation à conduit dont le mouvement d'air dépasse un certain nombre de CFM. Le nombre de pi3/min varie d'une région à l'autre. Consultez un professionnel de CVC pour connaître les exigences précises de votre région.

### ATTENTION

Enlever délicatement le carton, Porter des gants pour se protéger des bords coupants.

# Outils et pièces

## ATTENTION!

Enlever délicatement le carton, Porter des gants pour se protéger des bords coupants.

## Pièces fournies

- Auvent de hotte avec ventilateur et lampes installés
- Connecteur 3/4" x 10" (8,3 x 25,4 cm) pour conduit rectangulaire
- Filtres à graisse métalliques,
- Kit quincaillerie comprenant:
  - Guide d'utilisation, entretien et installation
  - 4 - vis 4x8 mm (pour assembler le raccord métallique)
  - 6 - vis 4.5x13 mm
  - 4 - vis 5x4.5 mm
  - 4 - pièces d'ancrage mural de 10x50 mm
  - Adaptateur Torx 20

## Pièces nécessaires

- Ecrous métalliques
- Conduit métallique pour l'installation
- Connecteur Romex 1/2"
- Mètre ruban
- Tenailles
- Gants
- Couteau
- Lunettes de sécurité
- Foreuse électrique 5/16" et 3/8"
- Niveau
- Toile isolante
- Tournevis
  - Phillips (Posidrive #2)
  - Tournevis Torx #2
- Dénudeur
- Ruban de masquage
- Marteau
- Scie, scie circulaire

# Exigences d'emplacement

**IMPORTANT:** Observer les dispositions de tous les codes et règlements en vigueur.

Confier l'installation de la hotte à un technicien qualifié. C'est à l'installateur qu'incombe la responsabilité de respecter les distances de séparation spécifiées sur la plaque signalétique de l'appareil. La plaque signalétique de l'appareil est située derrière le filtre de gauche, sur la paroi arrière de la hotte.

On doit toujours installer la hotte à distance des sources de courant d'air (fenêtres, portes et bouches de chauffage).

Respecter les dimensions indiquées pour les ouvertures à découper dans les placards. Ces dimensions tiennent compte des valeurs minimales des dégagements de séparation.

On doit disposer d'une prise de courant électrique reliée à la terre. Voir la section "Spécifications électriques".

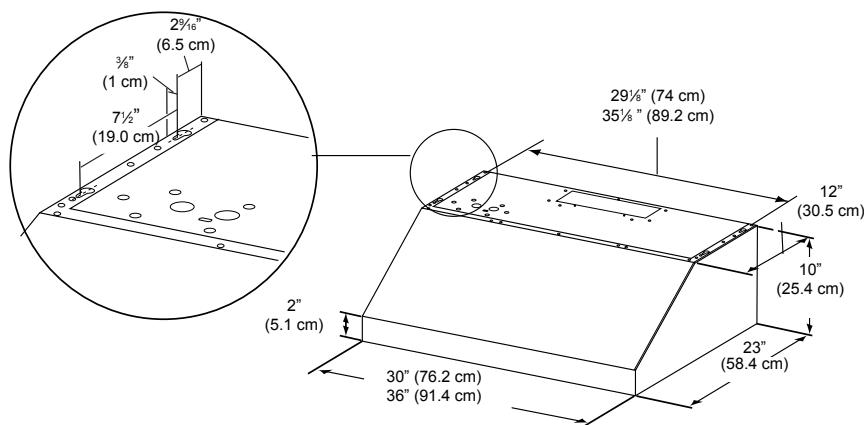
La hotte est configurée à l'usine pour une décharge à travers le toit ou un mur.

On doit assurer l'étanchéité au niveau de chaque ouverture découpée dans le plafond ou un mur traversé par l'équipement de la hotte.

## Installation dans une résidence mobile

L'installation de cette hotte doit satisfaire aux exigences de la norme Manufactured Home Construction Safety Standards, Titre 24 CFR, partie 328 (anciennement Federal Standard for Mobile Home Construction and Safety, titre 24, HUD, partie 280); lorsque cette norme n'est pas applicable, l'installation doit satisfaire aux critères de la plus récente édition de la norme Manufactured Home Installation 1982 (Manufactured Home Sites, Communities and Setups) ANSI A225.1/NFPA 501A, ou des codes locaux.

# Dimensions du produit



# Exigences concernant l'évacuation

- Le système doit décharger l'air à l'extérieur.
- Ne pas terminer le circuit d'évacuation dans un grenier ou dans un autre espace clos.
- Ne pas utiliser une bouche de décharge murale de 4" (10,2 cm) normalement utilisée pour un équipement de buanderie.
- Utiliser un conduit métallique uniquement. Un conduit en métal rigide est recommandé. Ne pas utiliser de conduit de plastique ou en aluminium.
- La longueur du système d'évacuation et le nombre de coudes doit être réduit au minimum pour des performances optimales.

## Pour un fonctionnement efficace et silencieux:

- Ne pas utiliser plus de trois coudes à 90°.
- Veiller à ce qu'il y ait une section droite de conduit d'un minimum de 24" (61 cm) entre les raccords coudés, si on doit en utiliser plus d'un.
- Ne pas installer 2 coudes successifs.
- Au niveau de chaque jointure du circuit d'évacuation, assurer l'étanchéité avec les brides de serrage, et utiliser du ruban a hésif pour sceller complètement les connexions.
- À l'aide d'un produit de calfeutrage, assurer l'étanchéité autour de la bouche de décharge à l'extérieur (à travers le mur ou le toit).
- La taille du conduit doit être uniforme.

## Installations pour régions à climat froid

On doit installer un clapet anti-retour supplémentaire à l'arrière pour minimiser le reflux d'air froid dans le cadre du système de ventilation. Incorporer un élément d'isolation thermique pour minimiser la conduction de chaleur par l'intermédiaire du conduit d'évacuation, de l'intérieur de la maison à l'extérieur dans le cadre du système de ventilation.

Le clapet anti-retour doit être placé du côté air froid de la résistance thermique.

L'élément d'isolation thermique doit être aussi proche que possible de l'endroit où le circuit d'évacuation s'introduit dans la partie chauffée de la maison.

## Air d'appoint

Les codes locaux en bâtiment peuvent imposer l'emploi d'un circuit de renouvellement de l'air/introduction d'air d'appoint, lors de l'utilisation d'un circuit d'aspiration de débit supérieur à une valeur spécifiée en pieds cubes par minute. Le débit spécifié en pieds cubes par minute varie d'une juridiction à l'autre.

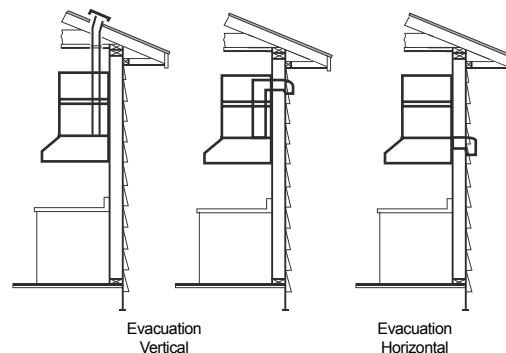
Consulter un professionnel des installations de chauffage ventilation/ climatisation au sujet des exigences spécifiques applicables dans la juridiction locale.

## Possibilité d'évacuation

La hotte est prévue pour une évacuation verticale ou horizontale.

- Évacuation verticale: Utiliser un conduit rectangulaire de 3¼"x10".
- Évacuation horizontale : Utiliser un conduit rectangulaire de 3¼"x10".

REMARQUE: évent flexible n'est pas recommandée. Évent flexible crée une contre-pression et l'air turbulences qui réduisent considérablement les performances. Système de ventilation peut résilier ce soit à travers la toit ou le mur. Pour ventilation dans le mur, un coude à 90° est nécessaire.



## Préparation

Ne coupez pas une solive ou un montant à moins qu'il soit absolument nécessaire de le faire. Si vous devez couper une solive ou un montant, vous devez construire un cadre de soutien. La quincaillerie fournie permet de fixer la hotte à la plupart des murs et des plafonds. Vous devez cependant demander à un technicien qualifié de vérifier la solidité des matériaux selon le type de mur ou de plafond. Avant de couper, assurez-vous qu'il y a un dégagement suffisant dans le plafond ou le mur pour passer la conduite de sortie. Vous pouvez déterminer vous-même la hauteur à laquelle vous installez la hotte au dessus de la cuisinière. Plus la hotte est près de la cuisinière, plus elle est efficace à capter les odeurs de cuisson, la graisse et la fumée.

## ATTENTION:

Montez ce capot de sorte que le bord inférieur est à 30 "(76,2 cm) minimum ou 36" (91,4 cm) maximum au-dessus de la surface de cuisson.

Emploi domestique, lisez attentivement le livret instructions pour des applications spécifiques.

Vérifiez donc la hauteur de votre plafond et la hauteur maximum de la hotte avant de choisir votre modèle de hotte.

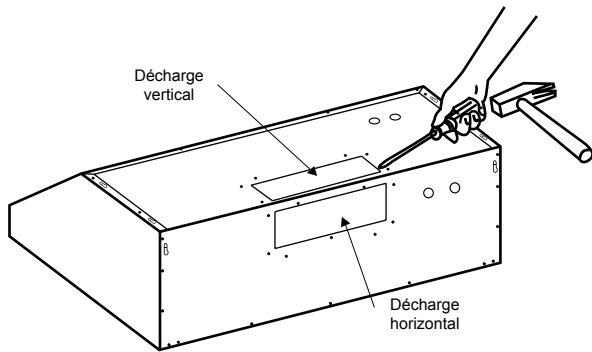


# Installation

## Installation - Version à conduit

Après avoir choisi le type d'évacuation, procéder comme suit:

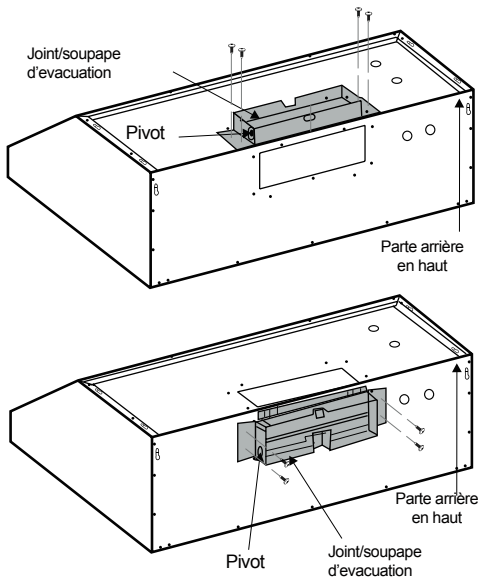
- Préparer le conduit et les découpes nécessaires.
- Si possible, débranchez la cuisinière et déplacez la afin d'avoir un meilleur accès au mur arrière. Sinon, placez une couverture épaisse sur le comptoir et la surface de cuisson afin de les protéger des dommages et des saletés. Sélectionnez une surface plane pour assembler l'appareil. Placez une couverture protectrice sur cette surface, puis disposez les pièces de l'auvent de la hotte et la quincaillerie.
- Déterminez et marquez la ligne centrale sur le mur où sera installé l'auvent de la hotte. Déterminez une hauteur confortable pour l'utilisateur et marquez la sur le mur derrière la surface de cuisson.
- Préparer le conduit et les découpes nécessaires.
- Enlever les parties prédécoupées pour les conduits en utilisant un fin tournevis et un petit marteau. Utiliser le tournevis à la façon d'un biseau. Faire attention aux parties blessants.



Attacher le joint ou la soupape d'évacuation sur l'ouverture préformée à l'aide des quatre vis prévues à cet effet. S'assurer que les éléments soient le plus proche possible de la partie arrière en haut de votre hotte. Enlever la protection du clapet.

NOTE : Le joint/soupape d'évacuation peut être installé jusqu'à 2,5 cm (1 inch) de part et d'autre du centre de la hotte pour permettre le décentrage des conduits.

Dans le cas de systèmes d'évacuation très décentrés, la partie terminale du conduit d'évacuation peut être modifiée pour dégager l'attache du fil électrique.



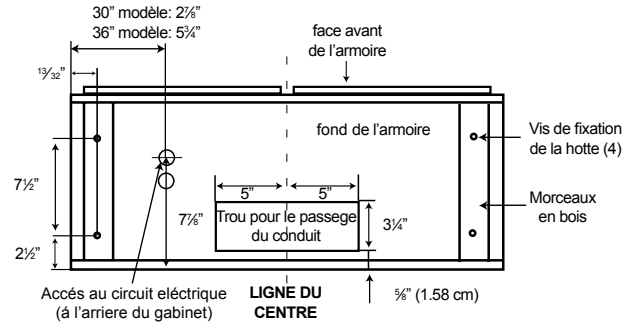
## Emplacement des trous

Sélectionner le type d'évacuation choisi pour votre hotte et procéder:

### Évacuation extérieure par le dessus de la hotte

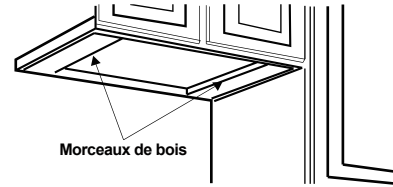
(Conduit vertical rectangulaire de 3/4" x 10")

Utiliser le schéma ou la hotte comme patron et indiquer sur l'armoire l'emplacement des conduits, des fils électriques et les fentes réglables pour les vis.



### Pour armoires encastrées uniquement

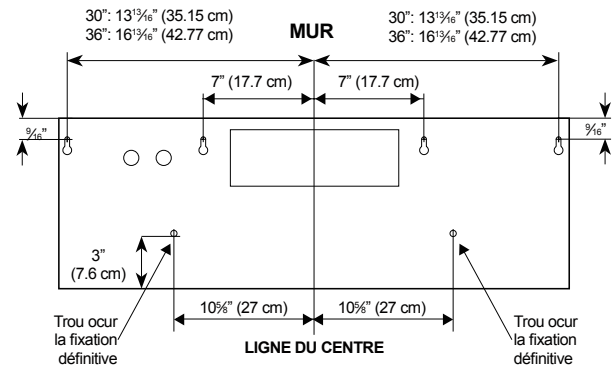
Si les armoires ont une garniture à l'avant, sur le côté ou à l'arrière, réaliser 2 morceaux de bois de la largeur des garnitures et les attacher à l'armoire encastrée sur les 2 côtés.



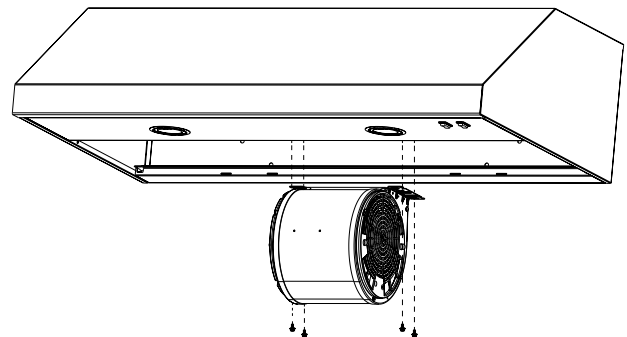
### Évacuation extérieure par l'arrière de la hotte

(Conduit horizontal rectangulaire de 3/4" x 10")

Utiliser le schéma ou la hotte comme patron et indiquer sur l'armoire l'emplacement des conduits, des fils électriques et les fentes réglables pour les vis.



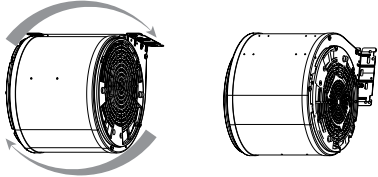
- Dépose des filtres à graisse
- Retirez les vis du moteur



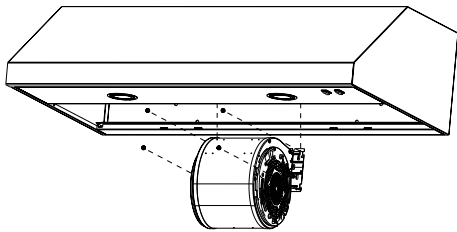
- Libérer les deux clips de moteur de la partie supérieure du hotte.



- Tournez la base du moteur à l'arrière de la hotte.



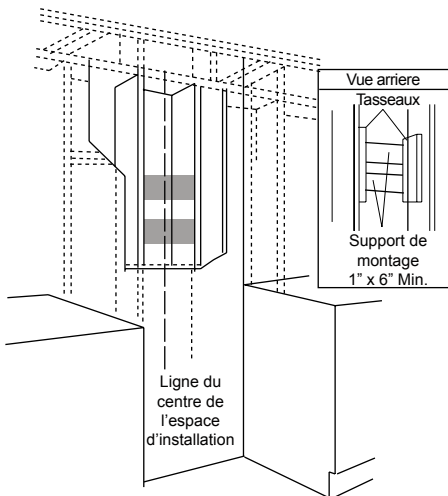
- Insérez les deux clips de moteur vers la face arrière de la hotte. Fixer avec les quatre vis du montage avec précédemment publiée.



#### Installation al mur

##### Installer la structure de support de la hotte

- Si une paroi est présente, indiquer les emplacements des trous des vis. Enlever le gabarit.
- Couper suffisamment de paroi pour placer 2 crampons sur les trous indiqués sur la gabarit.
- Installer 2 supports horizontaux à au moins 4" x 2" entre les deux crampons muraux aux emplacements des trous de montage inférieurs et supérieurs.
- Le support horizontal doit être de niveau avec le côté pièce des crampons.
- Utiliser des tasseaux de deux côtés du support pour sécuriser aux crampons du mur.
- Replacer la paroi et faire les finitions.  
IMPORTANT- La paroi doit être capable de supporter 100 lbs.



- Réaliser les trous pour les conduits et les fils électriques aux emplacements indiqués.
- Pour le conduit vertical, agrandir le trou de 3/4" vers le devant de l'armoire pour pouvoir bouger le conduit plus librement lors de la mise en place de la hotte.

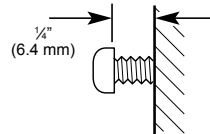
- L'installation sera également plus facile si le trou fait 10 1/2" au lieu de 10".
- Serrer une vis de fixation (se trouvant dans le kit de montage) dans chaque petite ouverture des crochets marqués sur le fond de l'armoire.
- Raccorder le tube électrique à la hotte.
- Replacer la hotte contre le mur. Serrer les vis de fixation. S'assurer que la tête des vis est bien dans la partie plus étroite des fentes des crochets.
- Raccorder les conduits à la hotte.

#### Installation de la hotte

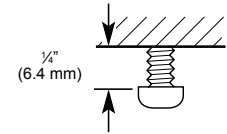
- Soulever la hotte sous le placard ou el gabinet et déterminer sa position d'installation finale en la centrant sous le placard. Sur la face inférieure du placard, marquer l'emplacement des 4 trous de montage sur la hotte.



- Installer les 2 (installation al mur) ou 4 (installation al gabinet) vis de montage 5 x 45 mm dans les avanttrous. Laisser un espace d'environ 1/4" (6,4 cm) entre les têtes des vis et le placard pour faire glisser la hotte et la mettre en place.



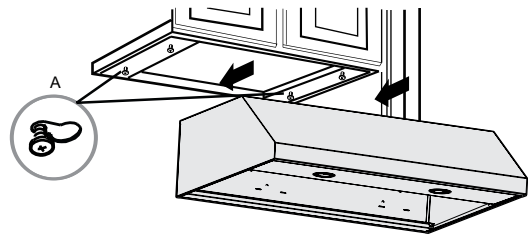
Installation al mur



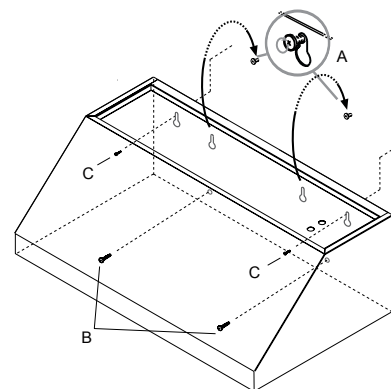
Installation al gabinet

- À l'aide d'au moins deux personnes, soulever la hotte et la placer à son emplacement final. Insérer suffisamment de câble électrique à travers le serre-câble de 1/2" (homologation UL ou CSA) pour établir les connexions avec le boîtier de connexion. Serrer les vis du serre-câble.
- Pour le montage mural, insérer les vis de sécurité comme indiqué sur la figure.

#### Installation a la gabinet



#### Installation al mur



A. Vis de montage  
B. Vis de sécurité inférieurs (Installation al mur)  
C. Vis de sécurité (Installation al mur)

- Raccorder le circuit d'évacuation à la hotte.

# Raccordement électrique

**AVERTISSEMENT: Danger de choc électrique**

**AVERTISSEMENT: Coupez l'alimentation du circuit dans le panneau électrique avant de raccorder les fils de cet appareil.**

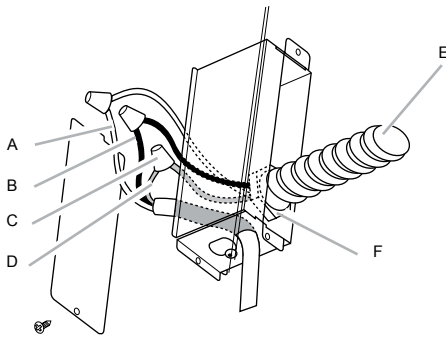
**Un circuit de 120 V c.a., de 15 ou 20 A est requis.**

## INSTRUCTIONS DE MISE À LA TERRE

CET APPAREIL EST MUNI D'UNE BOÎTE DE JONCTION ÉLECTRIQUE À TROIS FILS, DONT L'UN (VERT/JAUNE) SERT À METTRE L'APPAREIL À LA TERRE. POUR VOUS PROTÉGER CONTRE LES CHOCS ÉLECTRIQUES, VOUS DEVEZ RACCORDER LE FIL VERT/JAUNE AU FIL DE MISE À LA TERRE DU SYSTÈME ÉLECTRIQUE DE VOTRE MAISON. EN AUCUNE CIRCONSTANCE CE FIL DOIT ÊTRE COUPÉ OU ENLEVÉ.

Le fait de ne pas respecter cette directive peut entraîner la mort ou un choc électrique.

1. Retirez l'alvéole défonçable et le couvercle de la boîte de jonction et installez un connecteur de canalisation (Listé dans cULus) dans la boîte de jonction.



- A. Conducteurs blancs  
B. Conducteurs noirs  
C. Connecteur de fils (homologation UL)  
D. Conducteurs verts (ou nus) ou verts-jaunes de liaison à la terre  
E. Câble d'alimentation électrique du domicile  
F. Serre-câble de 1/2" (homologation UL ou CSA)

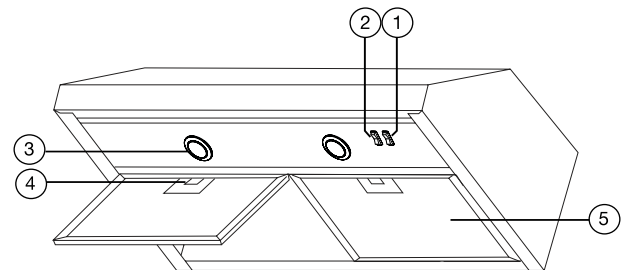
2. Passez trois fils, le noir, le blanc et le vert, en respectant les normes du code national de l'électricité, ainsi que les codes et les ordonnances en vigueur dans votre région, dans une canalisation de 1/2 po, du panneau de service à la boîte de jonction.
3. Raccordez le fil noir du panneau de service au fil noir ou rouge de la boîte jonction, le blanc avec le blanc et le vert avec le vert/jaune
4. Fermez le couvercle de la boîte de jonction.

# Achever l'installation et vérifier le fonctionnement

1. Replacer les 2 appuis latéraux.
2. Replacer les filtres.
3. Vérifier que la hotte fonctionne.
4. Si la hotte ne fonctionne pas
  - Vérifiez que le disjoncteur ne s'est pas déclenché ou que le fusible n'est pas grillé.
  - Débranchez l'alimentation.
  - Vérifiez que les raccords électriques ont été effectués correctement.

Gardez vos instructions d'installations et d'utilisation près de la hotte pour pouvoir vous y référer facilement.

# Utilisation de la hotte



1. Commutateur de commande de ventilateur
2. Commutateur de commande de lumière
3. Emplacements des ampoules
4. Poignée filtre anti-graisse
5. Filtre anti-graisse

## Commandes



Ventilateur Low/OFF/Hi



Lumière Low/OFF/Hi

### Commande Lumière

Appuyez sur l'interrupteur à l'intensité OFF, LOW or HI vous avez besoin

### Commande Ventilateur

Appuyez sur l'interrupteur à l'intensité OFF, LOW or HI vous avez besoin

Toujours utiliser la haute réglage lorsque la cuisson.

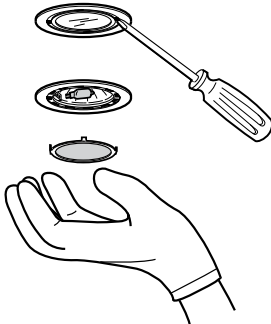
# Entretien de la hotte de cuisinière

## Remplacement d'une lampe à halogène

Interrompre l'alimentation de la hotte; attendre le refroidissement de la lampe à halogène. Pour éviter d'endommager ou de réduire la longévité de l'ampoule neuve, ne pas toucher l'ampoule avec les doigts nus. Remplacer la lampe en la manipulant avec un mouchoir de papier ou des gants de coton.

Si les nouvelles lampes ne fonctionnent pas, vérifier que chaque lampe est correctement insérée dans sa douille avant de demander l'intervention d'un dépanneur

1. Déconnecter la source de courant électrique.
2. À l'aide d'un tournevis à lame plate, dégager le protègeampoule avec précaution.



Enlever la lampe, et remplacer par une lampe à halogène neuve de 120 V/40 W maximum, à culot de type G-9.

## Nettoyage

Ne pas vaporiser de nettoyeurs directement sur le panneau de contrôle lors du nettoyage de la Hotte

La hotte doit être régulièrement nettoyée à l'intérieur et à l'extérieur (au moins à la même fréquence que pour l'entretien des filtres à graisse). Pour le nettoyage, utiliser un chiffon humidifié avec un détergent liquide neutre. Ne pas utiliser de produit contenant des abrasifs.

NE PAS UTILISER D'ALCOHOL!

## ATTENTION:

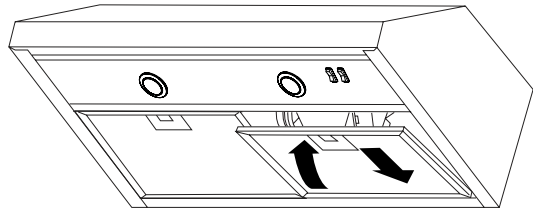
Il y a risque d'incendie si vous ne respectez pas les instructions concernant le nettoyage de l'appareil et le remplacement ou le nettoyage du filtre.

La responsabilité du constructeur ne peut en aucun cas être engagée dans le cas d'un endommagement du moteur ou d'incendie liés à un entretien négligé ou au non respect des consignes de sécurité précédemment mentionnées.

## Filtre à graisse

### Dépose des filtres à graisse métalliques.

- Employer les deux mains pour retirer les filtres.
- Saisir les poignées du filtre, tirer vers l'arrière de la hotte et tirer sur la poignée avant pour retirer le filtre.



- Répéter pour chaque filtre à graisse.
- Laver les filtres métalliques autant que nécessaire au lavevaisselle ou à la main Dans une solution de détergent chaude pour les nettoyer.

### Réinstallation des filtres à graisse métalliques:

- Saisir les poignées du filtre et insérer l'arrière du filtre dans la rainure arrière.
- Tirer sur la poignée arrière et insérer le devant du filtre à graisse dans la rainure avant et bien fixer.
- Répéter pour chaque filtre.

# GARANTIE

---

## **ELICA North America**

## **GARANTIE DE DEUX ANS**

### **POUR OBTENIR UN DEPANNAGE SOUS GARANTIE**

Le propriétaire doit présenter une preuve de la date d'achat. Garder une copie de votre preuve d'achat datée (ticket de caisse) de façon à pouvoir bénéficier du service après-vente sous garantie.

### **GARANTIE PIECES DE RECHANGE ET MAIN D'OEUVRE**

Pendant une période de deux (2) ans à partir de la date d'achat, Elica s'engage à fournir gratuitement les pièces de rechange ou les composants autres que les recharges ayant des défauts de fabrication.

Durant cette garantie de deux (2) ans, Elica fournira également gratuitement, toute la main d'oeuvre et le service à domicile pour remplacer d'éventuelles pièces défectueuses.

### **CE QUE LA GARANTIE NE COUVRE PAS**

- Dégât ou panne du produit causé par un accident ou un cas de force majeure tels que inondation, incendie ou tremblement de terre.
- Dégât ou panne du produit causé par modification du produit ou utilisation de pièces pas d'origine.
- Dégât ou panne du produit causé lors de la livraison, de la manipulation ou de l'installation.
- Dégât ou panne du produit causé par une mauvaise utilisation.
- Dégât ou panne du produit causé par un remplacement des fusibles ou une remise en fonction des disjoncteurs par le propriétaire.
- Dégât ou panne du produit causé par une utilisation du produit pour raison commerciale.
- Déplacement à domicile pour explication d'utilisation ou d'entretien.
- Ampoules, filtres métalliques ou au charbon et toute autre pièce consommable.
- Usure normale.
- Usure due à une mauvaise utilisation du propriétaire, un entretien incorrect, une utilisation de substances nettoyantes corrosives ou abrasives et produits de nettoyage pour four.

### **QUI EST COUVERT**

Cette garantie s'étend à l'acheteur original de produits achetés pour un usage domestique habituel en Amérique du Nord (Y compris Etats Unis, Guam, Porto Rico, les Iles virgin Américaines & le Canada).

Cette garantie n'est pas transférable et vaut uniquement pour l'acheteur original et ne s'étend pas aux propriétaires successifs du produit. Cette garantie vaut expressément en lieu et place de toute autre garantie, expresse ou sous-entendue, mais ne limite pas toute autre garantie sous-entendue de marchandage ou adaptation dans un but particulier et toute autre obligation de la part de Elica North America, étant entendu, cependant, que si la réclamation pour garanties sous-entendues n'est pas applicable aux yeux de la loi en vigueur, la durée de toute garantie sous-entendue émanant de la loi doit être limitée à deux (2) ans à partir de la date d'achat du produit ou à une période plus longue selon ce que dit la loi en vigueur.

Cette garantie ne couvre pas tout dégât particulier, accidentel et/ou consécutif, ni les pertes et profits, à charge du propriétaire, des ses clients et/ou des utilisateurs Des produits.

### **QUI CONTACTER**

Pour obtenir un service après-vente durant la garantie ou pour toute autre question:

- Elica North America Authorized Service - (714) 428-0046
- [elica@servicepower.com](mailto:elica@servicepower.com)

# Español

## Contenido

Aviso de seguridad importante.....	23
Requisitos eléctricos y de instalación.....	24
Lista de Materiales.....	25
Partes suministradas.....	25
Herramientas/materiales necesarios.....	25
Dimensiones del producto.....	25
Requisitos de ubicación.....	25
Requisitos de ventilación.....	26
Instalación .....	27
Conexión eléctrica.....	29
Completar la instalación y verificar la operación.....	29
Uso de la campana.....	30
Cuidado de la campana.....	30
Garantía .....	31

## APROBADO PARA APARATOS DE USO DOMÉSTICO SÓLO PARA USO DOMÉSTICO LEA Y GUARDE ESTAS INSTRUCCIONES

**ANTES DE CONTINUAR, LEA LAS INSTRUCCIONES  
POR COMPLETO.**

**LA INSTALACIÓN DEBE CUMPLIR TODA LA NORMA-  
TIVA LOCAL.**

**IMPORTANTE:** Guarde estas instrucciones para su uso por  
parte del inspector de electricidad local.

**INSTALADOR:** Entregue al propietario estas instrucciones junto  
con la unidad.

**PROPIETARIO:** Conserve estas instrucciones para futuras  
consultas.

Advertencia de seguridad: antes de realizar el cableado de este  
aparato, desactive el circuito de energía  
eléctrica en el panel de servicio y desbloquee el panel.

Requisito: Circuito auxiliar de CA de 120 V, 60 Hz, 15 ó 20 A

# LEA Y GUARDE ESTAS INSTRUCCIONES

## Aviso de seguridad importante

### PRECAUCIÓN

SÓLO PARA USO DE VENTILACIÓN GENERAL. NO UTILIZAR PARA EXPULSAR VAPORES O MATERIALES PELIGROSOS O EXPLOSIVOS.

### ADVERTENCIA

**PARA REDUCIR EL RIESGO DE FUEGO, DESCARGA ELÉCTRICA O LESIONES PERSONALES, RESPETE LO SIGUIENTE:**

- A. Utilice esta unidad solamente en el modo que indica el fabricante. En caso de duda, póngase en contacto con el fabricante.
- B. Antes de reparar o limpiar la unidad, desconecte la alimentación en el panel de servicio y bloquee los medios de desconexión del panel de servicio para evitar la conexión accidental de la alimentación. Si no es posible bloquear los medios de desconexión del panel de servicio, coloque un dispositivo de advertencia que destaque como, por ejemplo, una etiqueta, en el panel de servicio.
- C. La instalación y el cableado eléctrico deben realizarlos personas calificadas de acuerdo con las normativas y los estándares aplicables, incluida la construcción ignífuga.
- D. Es necesaria una ventilación suficiente para la correcta combustión y expulsión de gases por la salida de humos (Chimenea) del equipo de combustión de carburante para evitar el contratiro. Siga las directrices de fabricantes de equipos de calefacción y los estándares de seguridad como los publicados por la National Fire Protection Association (NFPA), American Society for Heating, Refrigeration and Air Conditioning Engineers (ASHRAE) y las normativas locales.
- E. Al efectuar orificios en una pared o techo, no dañe el cableado eléctrico y otras instalaciones ocultas.
- F. Los sistemas instalados mediante conducto deben tener ventilación con salida al exterior.

### PRECAUCIÓN

Para reducir el riesgo de fuego y conseguir una salida del aire correcta, asegúrese de conducir el aire hacia el exterior. No permita que el aire se expulse en espacios situados en el interior de muros, techos, desvanes, sótanos de pequeña altura o garajes.

### ADVERTENCIA

**PARA REDUCIR EL RIESGO DE FUEGO, UTILICE SOLAMENTE TUBOS METÁLICOS.**

Instale esta campana de acuerdo con los requisitos especificados.

### ADVERTENCIA

Para reducir el riesgo de fuego o descarga eléctrica, no utilice esta campana con ningún dispositivo externo en estado sólido para el control de la velocidad.

### ADVERTENCIA

**PARA REDUCIR EL RIESGO DE INCENDIO OCASIONADO POR GRASA:**

- a) No deje nunca ninguna unidad externa desatendida y con valores de fuego altos. La cocción puede causar humo o reboses de grasa que pueden prender fuego. Caliente el aceite a fuego lento o medio.
- b) Encienda siempre la campana cuando cocine a una temperatura alta o cuando realice flameados (Por ejemplo, crepes Suzette, cerezas flameadas, ternera a la pimienta flameada).
- c) Limpie con frecuencia los ventiladores. No permita que la grasa se acumule en el ventilador o filtro.
- d) Utilice un tamaño de sartén adecuado. Utilice siempre piezas de batería de cocina adecuadas al tamaño del elemento de superficie.

### ADVERTENCIA

**PARA REDUCIR EL RIESGO DE LESIONES PERSONALES, EN CASO DE FUEGO OCASIONADO POR GRASA, TENGA EN CUENTA LO SIGUIENTE<sup>a</sup>:**

- a) **EXTINGA LAS LLAMAS** con una tapa ajustada, una lámina para hacer galletas u otro tipo de bandeja metálica y apague el quemador de gas o elemento eléctrico. **TENGA CUIDADO PARA EVITAR QUEMADURAS.** Si las llamas no se extinguen inmediatamente, **DESALOJE EL LUGAR Y LLAME A LOS BOMBEROS.**
- b) **NUNCA TOME UNA SARTÉN EN LLAMAS**, podría sufrir quemaduras.
- c) **NO UTILICE AGUA**, incluidas bayetas o toallas húmedas ya que se produciría una violenta explosión de vapor.
- d) Utilice un extintor **SÓLO** si:
  - 1) Sabe que dispone de un extintor de la clase ABC y conoce su funcionamiento.
  - 2) El fuego es pequeño y se encuentra en la misma zona donde se inició.
  - 3) Ha llamado a los bomberos.
  - 4) Puede luchar contra el fuego teniendo una salida a su espalda.

<sup>a</sup>Basado en "Consejos de seguridad para fuegos de cocina", publicado por el NFPA (Asociación nacional de protección contra incendios).

### FUNCIONAMIENTO

Coloque siempre las rejillas y los filtros de seguridad en su lugar correspondiente. Sin estos componentes, los ventiladores en funcionamiento podrían atrapar su pelo, sus dedos o su ropa.

El fabricante declina toda responsabilidad en caso de fallo de cumplimiento de las instrucciones aquí facilitadas para la instalación, el mantenimiento y el uso adecuado del producto. El fabricante declina además toda responsabilidad por daños ocasionados por negligencia y la garantía de la unidad queda cancelada automáticamente como consecuencia de un mantenimiento incorrecto.

# Requisitos eléctricos y de instalación

## Requisitos Eléctricos

### IMPORTANTE

Cumpla todas las normativas y ordenanzas gubernamentales.

Es responsabilidad del cliente:

- Ponerse en contacto con un instalador eléctrico cualificado.
- Asegurarse de que la instalación eléctrica es adecuada y en conformidad con National Electrical Code, ANSI/NFPA 70 (última edición\*) o CSA Standards C22.1-94, Canadian Electrical Code, Parte 1 y C22.2 No.0-M91 (última edición\*) y toda la normativa y las ordenanzas locales.
- Si la normativa lo permite y se utiliza un cable de toma a tierra i dependiente, se recomienda que un electricista cualificado determine si la difracción de onda de tierra es la adecuada.
- No ubique la toma a tierra en una tubería de gas.
- Si no está seguro de que la campana está correctamente conectada a tierra, consulte a un electricista cualificado.
- No coloque ningún fusible en el circuito neutral o con vuelta por tierra.

### IMPORTANTE

Guarde las instrucciones de instalación para su uso por parte del inspector de electricidad.

- La campana debe está conectada únicamente con hilo de cobre.
- La campana debe estar conectada directamente al desconectador con fusible (O disyuntor) mediante canal metálico de cables eléctricos.
- Los tamaños de cable deben cumplir los requisitos de la National Electrical Code, ANSI/NFPA 70 (última edición\*) o CSA Standards C22.1-94, Canadian Electrical Code, Parte 1 y C22.2 No.0-M91 (última edición\*) y toda la normativa y las ordenanzas locales.
- Es preciso colocar un conector de canal de cables enumerado en U.L. o C.S.A. en cada extremo del canal de cables de fuente de alimentación (En la campana y en la caja de conexiones).

Se pueden obtener copias de los estándares enumerados en:

\* National Fire Protection Association Batterymarch Park Quincy, Massachusetts 02269

\*\* CSA International 8501 East Pleasant Valley Road Cleveland, Ohio 44131-5575

## Antes de instalar la campana

1. Para obtener una circulación del flujo de aire más eficaz, utilice un tubo de tramo recto o el menor número posible de tubos acodados.

**PRECAUCIÓN:** el conducto de ventilación solamente debe tener salida hacia la parte exterior del edificio.

2. Para realizar la instalación, se necesitan al menos dos personas.
3. La campana se ajusta mediante material adecuados para la mayoría de superficies; consulte a un instalador cualificado para comprobar si quedan perfectamente ajustados al armario o a la pared.
4. No emplee tubos flexibles.
5. Las instalaciones en CONDICIONES CLIMÁTICAS FRÍAS deben tener instalado un regulador de contratiro adicional para minimizar el flujo de aire inverso y una rotura térmica no metálica para minimizar la conducción de temperaturas externas como parte de los tubos. El regulador debe encontrarse en la parte de aire frío de la rotura térmica. La rotura debe estar lo más cerca posible al lugar donde los tubos entran en la parte caliente de la casa.
6. Aire limpio: Las normativas locales para edificios pueden requerir el uso de sistemas de aire limpio cuando se utilizan sistemas de ventilación mediante tubos superiores al CFM especificado de movimiento de aire. El CFM especificado varía de una zona a otra. Para conocer los requisitos específicos de su zona, consulte a un profesional de HVAC.



# Lista de Materiales

## Retirar del empaque

### ¡CUIDADO!

Remueva el empaque con cuidado, utilice guantes para protegerse de los filos cortantes.

### ADVERTENCIA

Retire la cubierta protectora del producto antes de ponerlo en funcionamiento.

## Partes suministradas

Retire todas las partes del empaque. Verifique que estén incluidas todas las partes.

- Campana con ventilador (Extractor)
- Lámpara ya instalada
- Transición (3<sup>1</sup>/<sub>4</sub>"x10" rectangular)
- Filtro anti-grasa
- Bolsa con tornillería:
  - Manual de uso e instalación.
  - 4 - Tornillos 4x8 (para montar la transición)
  - 4 - tornillos de 6 x 80 mm
  - 6- Tornillos 4.5x13
  - 4 - Tornillos 5x4.5
  - 4 - Taquetes de 10x50
  - Adaptador T20 TORX<sup>†</sup>

## Herramientas/Materiales necesarios

- Tapones de cable
- Ducto metálico para la instalación
- Conector romex de 1/2"
- Cinta métrica
- Cutter
- Pinzas para cortar y pelar cable
- Nivel
- Alicates
- Cinta de aislar
- Lentes de seguridad
- Destornilladores
  - Phillips (Posidrive) #2
  - Torx #2
- Taladro con brocas: 5/16" y 3/8"
- Guantes de protección
- Masking tape
- Martillo
- Caladora o taladro

# Requisitos de ubicación

**IMPORTANTE:** Observe todos los códigos y ordenanzas aplicables. Deje que un técnico calificado instale la campana. Es responsabilidad del instalador cumplir con las especificaciones de instalación que vienen en la etiqueta de modelo y número serial. La etiqueta de modelo/número serial está localizada detrás del filtro izquierdo en la pared posterior de la campana.

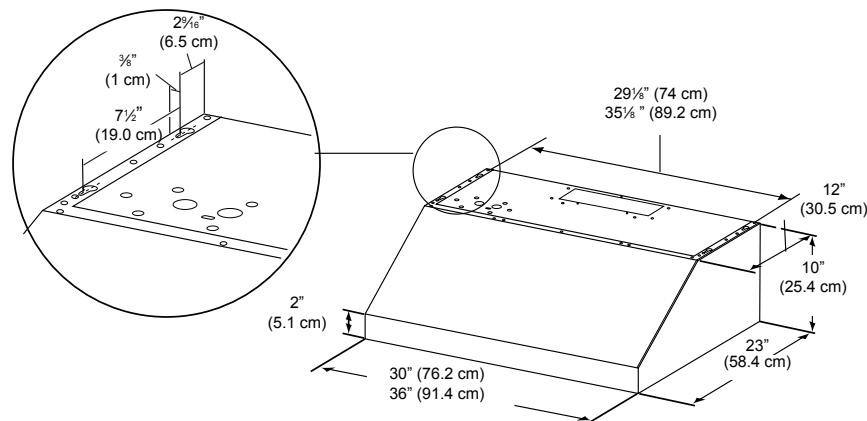
La campana debe estar ubicada lejos de áreas con fuertes corrientes de aire como ventanas, puertas y ductos de ventilación.

Una toma de tierra eléctrica es requerida. Vea la sección "Requisitos eléctricos". Todas las aberturas en el techo y pared donde se ponga en contacto la campana deben de ser selladas.

## Para la instalación en casas rodantes

La instalación de esta campana debe hacerse conforme a los Estándares de Seguridad de la Construcción del Hogar, Título 24 CFR, Parte 328 (antes el Standard Federal para la Construcción y Seguridad de Casas Móviles) o cuando el standard no sea aplicable al Standard para la Instalación de Casas Manufacturadas 1982 (Casas, manufacturación de casas e Instalación) ANSI A225.1/NFPA 501A, o última edición, o códigos locales.

## Dimensiones del Producto



# Requisitos de ventilación

- El sistema de ventilación debe terminar en el exterior.
- No dirija la salida del sistema de ventilación hacia el desván u otra área cerrada
- No utilice una cubierta de pared de tipo para lavandería de 4" (10,2 cm).
- Utilice ducto de escape de metal únicamente. Se recomienda un ducto de escape de metal rígido. No se recomienda ducto de escape de plástico u hoja metálica.
- El largo del sistema de ventilación y el número de codos deben mantener al mínimo para proveer un funcionamiento eficaz.

## Para obtener el funcionamiento más eficaz y silencioso:

- No use más de 3 codos de 90°.
- Asegúrese de que haya un mínimo de 24" (61 cm) de ducto de escape recto entre los codos, si se utiliza más de 1 codo.
- No instale 2 codos lado a lado.
- Use abrazaderas para sellar todas las juntas en el sistema de ventilación.
- Utilice silicón para sellar la pared exterior o la abertura del techo alrededor del casquete.
- El diámetro del tubo debe ser uniforme

## Instalaciones en climas fríos

Una válvula de no retorno adicional debe ser instalada para reducir el flujo de aire frío como parte del sistema de ventilación.

Un break térmico debe ser instalado para reducir la conducción de las temperaturas exteriores al interior del sistema de ventilación.

La válvula deberá estar en el lado del aire frío del break térmico.

## Reguladores de aire

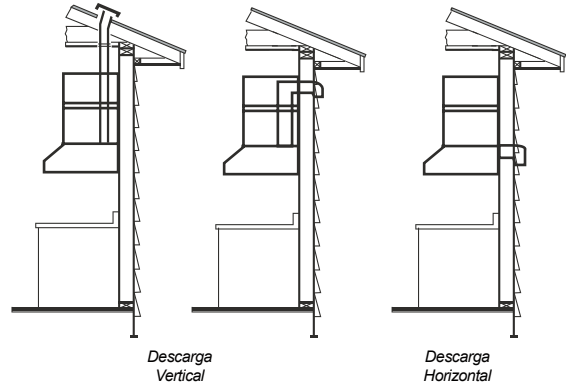
Los códigos de construcción local sugieren el uso de sistemas reguladores de aire cuando se usen sistemas de ventilación mayores a la CFM especificada o al movimiento del aire. El CFM especificado varía dependiendo del área. Consulte a su técnico en ventilación para conocer los requerimientos de su área.

## Métodos de ventilación

Esta campana está fabricada para salidas de aire vertical y horizontal:

- Salida vertical/horizontal: Use un ducto rectangular de 3¼" x 10".

NOTA: NO es recomendado el uso de ducto flexible. El ducto flexible crea presión y turbulencia de aire que puede reducir en gran medida el desempeño de su campana. Los ductos pueden tener salida a la pared o al techo.



## Preparación

No corte una vigueta o un perno a menos que sea absolutamente necesario. Si fuera necesario efectuar el corte, deberá construirse un marco de soporte.

Se suministra el material de ajuste necesario para fijar la campana a la mayoría de tipos de muro o techo.

No obstante, un técnico calificado debe comprobar la idoneidad de los materiales de acuerdo con el tipo de muro o techo.

Antes de efectuar ningún corte, asegúrese de existe espacio libre adecuado en el techo o muro para la expulsión del aire.

La preferencia de la altura de instalación de la campana de los usuarios es por encima de la cocina. Cuanto más cerca esté la campana de la cocina, más eficaz resultará la captura de olores, grasa y humos.

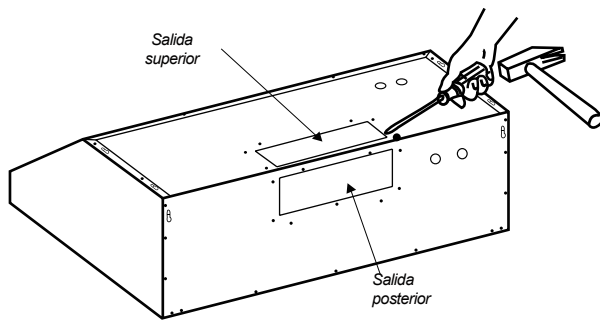
**PRECAUCIÓN:** Monte la campana de tal manera que la superficie inferior se encuentre a 30" mínimo (76.2 cm) o 36" máximo (91.4 cm) encima de la superficie que cocción.

# Instalación

## Instalación - Versión con tubos

Después de haber escogido la opción de descarga, proceder como sigue:

- Prepare el ducto y cortes necesarios
- Si es posible, desconecte y mueva individualmente o deslice la estufa desde la apertura del gabinete para permitir un acceso fácil al muro posterior. De lo contrario, coloque una cubierta protectora gruesa sobre la encimera o la cocina para protegerla de daños o suciedad. Seleccione una superficie plana para montar la unidad. Coloque una cubierta protectora sobre la superficie y coloque en ella todas las piezas de la carcasa de la campana, tornillos y elementos metálicos.
- Determine y marque la línea central en el muro donde se instalará la carcasa de la campana.
- Seleccione una altura de montaje confortable para el usuario y realice una marca en el muro situado detrás de la estufa.
- Preparar los cortes de los conductos y de los tubos, así como es requerido.
- Quitar los precortes del conducto usando un destornillador plano y un martillo pequeño.
- De unos pequeños golpes para remover la cubierta, utilizando el martillo y destornillador de forma similar a la que se hace con un cincel.
- Ponga atención a los filos cortantes.

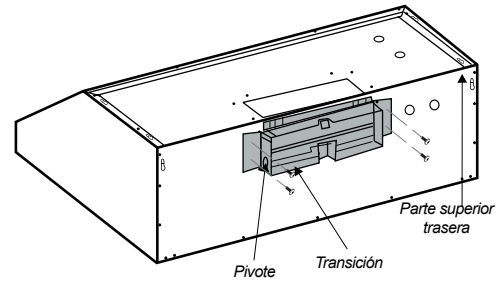
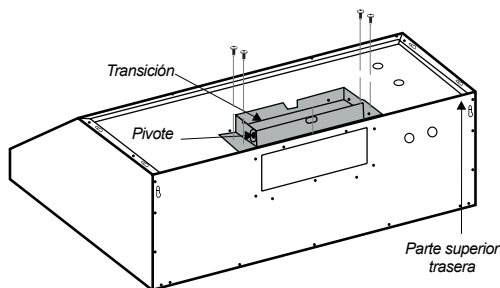


Fijar la transición rectangular sobre la apertura del precorte con 4 tornillos.

Asegurarse que el pivote quede ubicado cerca de la parte superior / posterior de la campana.

Quitar la cinta de la tapa de la transición.

NOTA: La transición se puede colocar hasta 1" del centro de la campana para acomodarse a instalaciones descentradas. En instalaciones extremadamente descentradas, un lado de la transición deberá ser recortada para evitar interferencias con la abrazadera del cable.



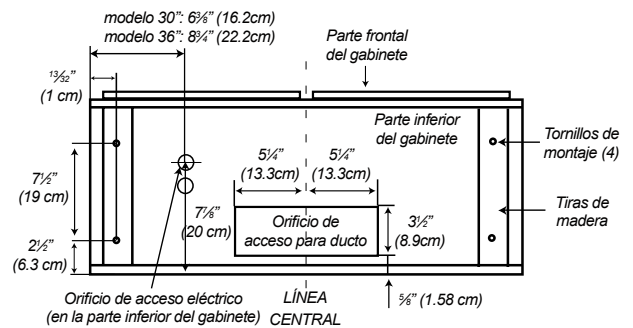
### Marcar los orificios

Seleccionar la opción de descarga que requiere su instalación y proceder a esa sección:

### Extracción superior al exterior

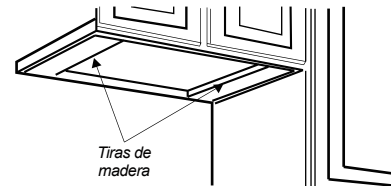
(Conducto vertical - 3 1/4" x 10" Rectangular)

Usar el diagrama o la campana como plantilla y marque en el gabinete la ubicación del ducto, cableado eléctrico y puntos de sujeción.



### Sólo para gabinetes huecos:

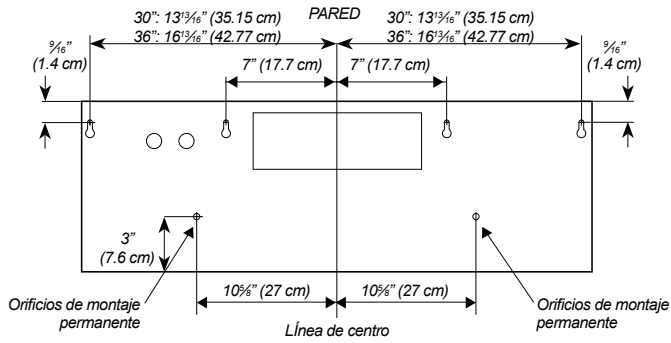
Si los gabinetes tienen perfiles frontales, laterales o posteriores, hacer 2 soportes de madera con el ancho del perfil y ensámblalos a ambos lados de la parte inferior del gabinete.



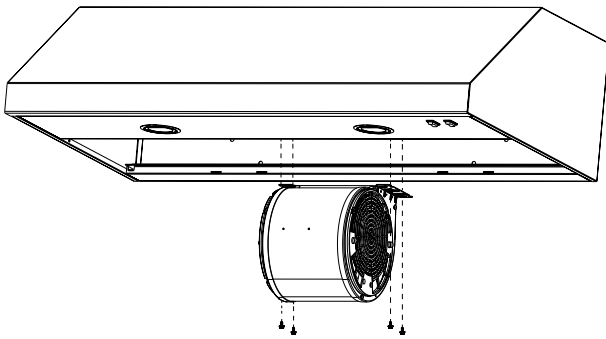
### Extracción posterior al exterior

(Conducto Horizontal 3 1/4" x 10" Rectangular)

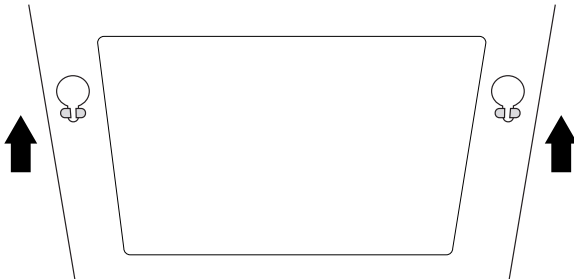
Usar el diagrama o la campana como plantilla y marque en el gabinete la ubicación del ducto, cableado eléctrico y puntos de sujeción.



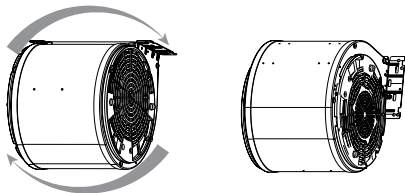
- Retire los filtros de grasa
- Retire los tornillos de instalación del motor



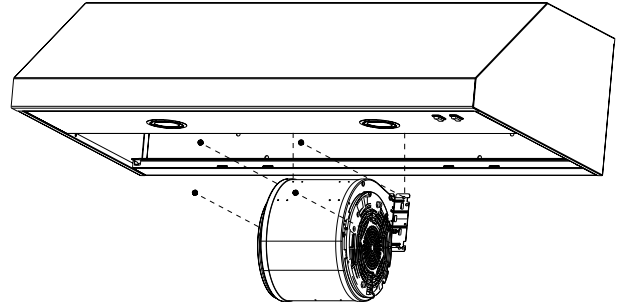
- Libere los dos clips de sujeción del motor de la parte superior de la campana



- Voltee la base del motor a la cara posterior de la campana



- Inserte los dos clips de sujeción del motor a la parte posterior de la campana. Asegure el motor con los 4 tornillos previamente retirados.



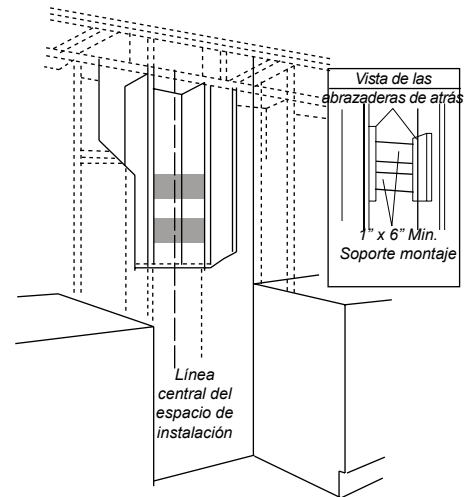
### Instalación a la pared

#### Instalación de la estructura de soporte para la campana

- Si se cuenta con pared falsa (cartón yeso) marque la ubicación de los agujeros para los tornillos y retire la plantilla
- Remueva (corte) lo suficiente de pared para posicionar 2 postes verticales en la ubicación de los agujeros referenciados en el punto anterior con ayuda de la plantilla.
- Instale dos soportes horizontales de por lo menos 4" x 2" entre dos postes de la pared, en donde deberán ir posicionados los agujeros inferiores y superiores.
- El soporte horizontal debe ser nivelado con el lado de la habitación con los postes de la pared.
- Reinstale la pared falsa (cartón yeso), resane y termine.

#### IMPORTANTE:

La estructura debe ser capaz de sostener 100lb.



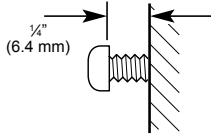
- Cortar los agujeros con los puntos marcados para el conducto y la instalación eléctrica.
- Para el conducto vertical, recorte 3/4" extra hacia al frente del gabinete para poder mover el conducto libremente al instalar la campana.
- Al mismo tiempo facilita la instalación cortando el agujero a 10 1/2" en vez de 10. Atornillar un tornillo de montaje (Del paquete de piezas) parcialmente en el centro de la parte angosta de los orificios de instalación marcados en la parte inferior del gabinete.

## Instalación de la campana

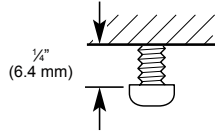
- Inserte un tornillo de instalación al centro de la parte angosta de los orificios de instalación marcados en la parte baja del gabinete o la pared.



- Instale 2 (instalación a la pared) ó 4 (instalación al gabinete) tornillos de instalación de 5 x 45 mm. Deje la cabeza del tornillo despegada aprox. 1/4" (6.4 mm) de la base para deslizar la campana en su lugar.



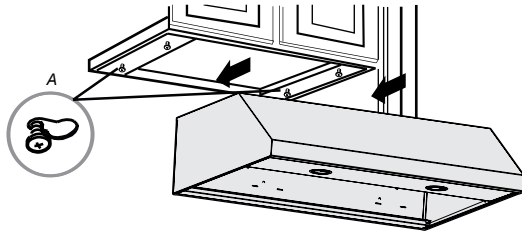
Instalación a la pared



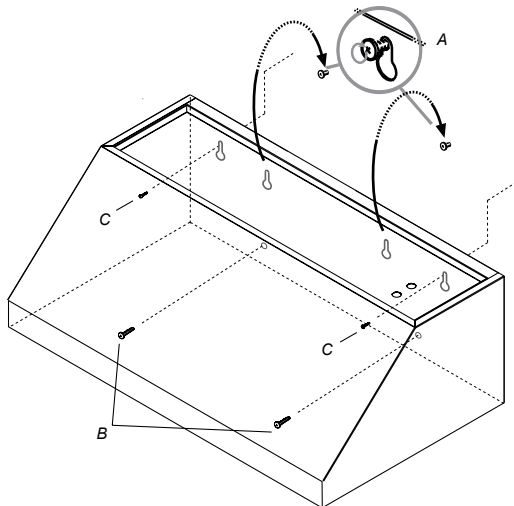
Instalación al gabinete

- Fije el conducto de los cables a la campana.
- Deslice la parte trasera de la campana contra la pared (instalación a la pared) ó la parte superior de la campana al gabinete (Instalación al gabinete).  
Ajuste los tornillos de montaje. Asegúrese de que la cabeza de los tornillos estén en la parte angosta de los orificios de instalación.
- En el caso de la instalación a la pared insertar los tornillos de seguridad como se indica en la figura.

### Instalación al gabinete



### Instalación a la pared



A. Tornillos de montaje  
B. Tornillos de seguridad inferiores (Instalación de pared)  
C. Tornillos de seguridad superiores (Instalación de pared)

- Conecte los ductos de ventilación a la campana.

## Conexión eléctrica

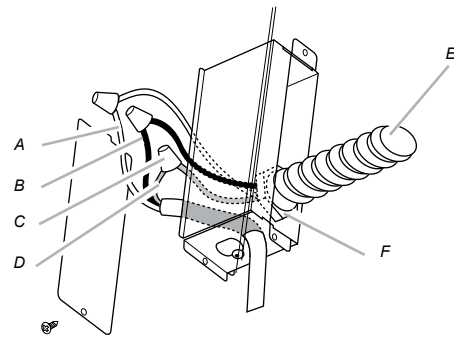
### ADVERTENCIA: Peligro de descarga eléctrica

Antes de realizar el cableado de este aparato, desactive el circuito de energía eléctrica en el panel de servicio. Se requiere un circuito 120 VAC, 15 ó 20 A.

### INSTRUCCIONES DE TOMA ELÉCTRICA

ESTE APARATO DISPONE DE UNA CAJA DE CONEXIONES ELÉCTRICAS CON 3 CABLES, UNO DE LOS CUALES (VERDE Y AMARILLO) SIRVE COMO TOMA DE TIERRA PARA EL APARATO PARA PROTEGERSE DE DESCARGAS ELÉCTRICAS, EL CABLE VERDE Y AMARILLO DEBE ESTAR CONECTADO AL CABLE DE TOMA A TIERRA DE SU SISTEMA DOMÉSTICO DE ELECTRICIDAD Y BAJO NINGUNA CIRCUNSTANCIA DEBE CORTARSE O ELIMINARSE. De lo contrario, podría tener como resultado una descarga eléctrica o la muerte.

- Retire el pestillo extraíble y la tapa de la caja de conexiones e instale el conector de canal de cables (Enumerado en cULus) en la caja de conexiones.



A. Cables blancos  
B. Cables negros  
C. Conector de cables aprobado por UL  
D. Cable de tierra verde (o desnudo) o amarillo-verde

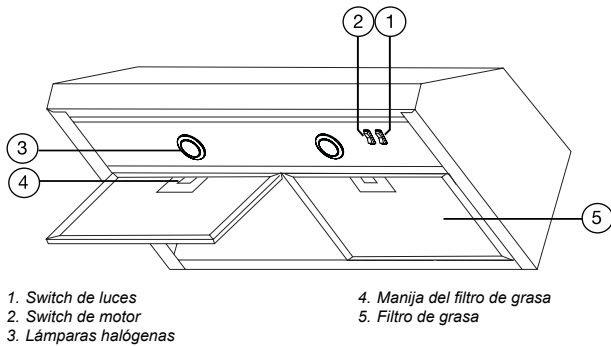
E. Cable de toma de corriente  
F. Pasa cables de 1/2" aprobado por UL o CSA

- Coloque 3 cables (Negro, blanco y verde) de acuerdo con el National Electrical Code y la normativa y las ordenanzas locales en el canal de cables de 1/2" del panel del servicio a la caja de conexiones.
- Conecte el cable negro del panel de servicio al cable negro o rojo de la caja de conexiones, el cable blanco al blanco y el verde al verde-amarillo.
- Cierre la tapa de la caja de conexiones.

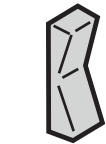
## Completar la instalación y verificar la operación

1. Vuelva a colocar los dos soportes laterales.
2. Reemplazar los filtros
3. Controlar el funcionamiento de la campana
4. Si la campana extractora no funciona, compruebe si el disyuntor está desconectado o se han fundido los fusibles, desconecte el suministro eléctrico, compruebe si el cableado es correcto.

## Uso de la campana



### Descripción del panel de control



Luces Low/OFF/Hi



Motor Low/OFF/Hi

#### Control de Luces

Presione el switch en la velocidad deseada: OFF (apagado), LOW (baja) ó HI (alta).

#### Control de Motor

Presione el switch en la velocidad deseada: OFF (apagado), LOW (baja) ó HI (alta).

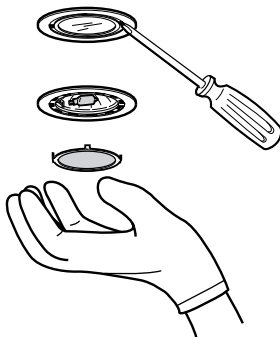
UTILICE SIEMPRE LA VELOCIDAD ALTA CUANDO ESTÉ COCINANDO.

## Cuidado de su campana

### Reemplace la lámpara halógena

**PRECAUCIÓN:** Antes de reemplazar las lámparas, desconecte la corriente para prevenir que el dispositivo sea accionado por accidente. Apague la campana y permita que las lámparas halógenas / incandescentes se enfríen. Para evitar el daño o deterioro en la vida útil de la nueva lámpara, evite tocar el bulbo con los dedos desnudos, reemplácelo utilizando una servilleta o utilizando guantes de algodón. Si las nuevas lámparas no funcionan, asegúrese de que las lámparas se hayan insertado correctamente antes de llamar al servicio al cliente.

1. Desconecte la corriente.
2. Utilice un destornillador de punta plana y suavemente retire la cubierta de la lámpara.



3. Retire la lámpara y reemplácela por una lámpara halógena de 120-volts, 40-watt máximo, con base G-9.
4. Coloque nuevamente la cubierta de la lámpara
5. Conecte nuevamente la corriente

## Limpieza

¡ATENCIÓN! Antes de cualquier operación de limpieza o mantenimiento, retire la campana de la red eléctrica desconectando el enchufe o desconectando el interruptor general de la casa.

### Limpieza

No aplique limpiadores directamente al control durante la limpieza de la campana.

La campana debe ser limpiada con frecuencia tanto externamente como internamente (con la misma frecuencia con la que se realiza el mantenimiento de los filtros de grasa). Para la limpieza, utilice un paño impregnado de detergente líquido neutro. No utilice productos que contengan abrasivos.  
¡NO UTILICE ALCOHOL!

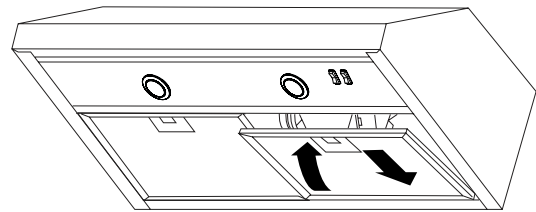
**ATENCIÓN:** De no observarse las instrucciones dadas para limpiar el aparato y sustituir el filtro, puede producirse un incendio. El fabricante recomienda leerlas y respetarlas atentamente.

El fabricante no se hace responsable por los daños al motor o los incendios provocados en el aparato debido a intervenciones de mantenimiento incorrectas o al incumplimiento de las normas de seguridad proporcionadas.

### Filtro contra la grasa

#### Para remover los filtros de grasa:

- Use las dos manos para quitar los filtros de grasa.
- Tome el filtro de las manijas empuje hacia la parte posterior de la campana y tire hacia abajo



- Repita este procedimiento para cada filtro de grasa
- Lave los filtros de grasa según sea necesario en el lavavajillas o a mano en una solución de detergente caliente para limpiar.

#### Para instalar los filtros de grasa:

- Sujete las manillas del filtro y colóquelo en la parte posterior de la campana.
- Empuje hacia atrás la manija trasera y suba la manija delantera del filtro de grasa para asegurarlo.
- Repita el procedimiento en cada filtro de grasa.

# GARANTÍA

---

## ***ELICA Norte América***

## **GARANTIA LIMITADA A DOS AÑOS**

### **PARA OBTENER SERVICIO DENTRO DE GARANTIA.**

El propietario debe presentar su recibo original de la compra. Guarde por favor una copia de su recibo de compra como prueba, para recibir el servicio dentro del periodo de garantía.

### **PARTES Y GARANTIA DE SERVICIO.**

Por el periodo de (2) dos años desde la fecha original de la compra, Elica proveerá, gratuitamente, partes no-consumibles o componentes que hayan fallado debido a defectos de fabricación. Durante estos (2) años de garantía limitada, Elica también proveerá gratuitamente, todo el servicio en casa y mano de obra necesaria para reemplazar cualquier parte defectuosa.

### **QUE NO ESTA CUBIERTO**

- Daños o fallas del producto causados por accidente o actos de Dios, tales como inundaciones incendios o terremotos.
- Daños o fallas causadas por alteración del producto o por el uso de partes no-originales.
- Daños o fallas del producto causados durante la entrega, manejo o instalación.
- Daños o fallas del producto causados por abuso del usuario.
- Daños o fallas del producto causados por reemplazo de fusibles dañados o reseteo de interruptor de circuito.
- Daño o fallas causados por el uso del producto en un ambiente comercial (no doméstico).
- Viajes de servicio debidos a dudas sobre el uso o instalación del producto.
- Bombillas, filtros de carbón o metal y cualquier otra parte consumible.
- Desgaste normal.
- Desgaste terminal debido a abusos del usuario, mantenimiento inadecuado, uso de productos / toallas de limpieza corrosivos o abrasivos y por uso de limpiadores para hornos.

### **QUIEN ESTA CUBIERTO**

Esta garantía se extiende al comprador original de productos adquiridos para uso residencial en Norte América (incluyendo Estados Unidos, Guam, Puerto Rico, Islas Vírgenes de USA y Canadá).

Esta garantía no es transferible y aplica solamente al comprador original y no se extiende a propietarios subsecuentes del producto. Esta garantía se expresa en lugar de otras garantías, expresadas o implicadas, incluyendo, pero no limitada a ninguna garantía implicada de comercialización o adaptada para propósitos particulares y cualquier otra obligación por parte de Elica North America, considerando, sin embargo, que si la negación de garantías implícitas es inefectiva bajo la ley aplicable, la duración de cualquier garantía implícita será limitada a dos (2) años desde la fecha original de compra o por el periodo necesario como sea requerido por la ley aplicable.

Esta garantía no cubre cualquier daño especial, incidental y/o consecuente, ni pérdidas de ganancias, sufridas por el comprador original, sus clientes y/o usuarios del producto.

### **A QUIEN CONTACTAR**

Para obtener servicio bajo garantía o para cualquier pregunta relacionada a servicio.

- Servicio Autorizado de Elica North America - (714) 428-0046
- [elica@servicepower.com](mailto:elica@servicepower.com)

